



Excel | Mate Mono

High Voltage with Inter-Lock

www.amphenolpcd.com.cn

HIGHPOWER @ AMPHENOL
TRUSTED GLOBALLY

CONTENT

CHD

PRODUCT INTRODUCTION.....	2
CHD 1-PIN.....	3
CHD 2-PIN.....	4
CHD 1-PIN SHUNT	5

ExcelMate Mono (HVBI)

PRODUCT INTRODUCTION.....	6
HOW TO ORDER: RECEPTACLE.....	7
ALTERNATE KEYING POSITIONS.....	8
RECEPTACLE	9
HOW TO ORDER: PLUG	10
PLUG.....	11
DUMMY PLUG.....	12

EX series

PRODUCT INTRODUCTION.....	13
RECEPTACLE (402).....	14
PLUGS (402).....	15
ALTERNATE KEYING POSITIONS (402).....	16
RECEPTACLE (403).....	17
PLUGS (403).....	18
ALTERNATE KEYING POSITIONS (403).....	19
HOW TO ORDER.....	20

HVG

PRODUCT INTRODUCTION.....	22
INSERT ARRANGEMENT.....	23
ALTERNATE KEYING POSITIONS.....	24
RECEPTACLE & PLUG.....	25
DUMMY PLUG.....	28
HOW TO ORDER:	29

HVS

PRODUCT INTRODUCTION.....	37
RECEPTACLE & PLUG.....	38
CONTACTS	39
TEMPERATURE RISE CURVE.....	40



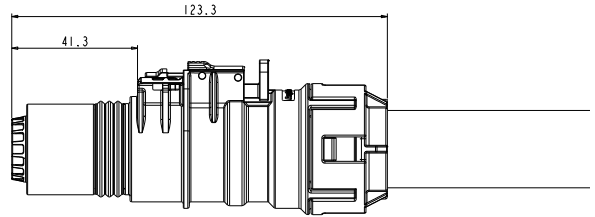
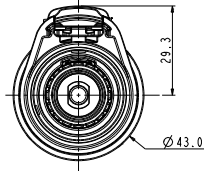
KEY FEATURES

- Unmated socket: IP67
- Salt Spray over 500H
- Rated current up to 500A
- Rated voltage up to 1500V

APPLICATIONS	
CHD has been designed for high-power charging in harsh environments.	
MECHANICAL	
Durability	> 50 mating cycles
ELECTRICAL	
Rated voltage	1500V Max. (DC)
Rated current:	
70mm ² shield cable.....	250A@ Ambient temp. 70°C
95mm ² shield cable.....	350A@ Ambient temp. 70°C
120mm ² shield cable.....	430A@ Ambient temp. 70°C
150mm ² shield cable.....	500A@ Ambient temp. 70°C
Shielding	Yes
ENVIRONMENTAL	
Sealing	IP67, IP6K9K (mated)
Temperature range	-40°C to 125°C
Salt spray	500h Min.
MATERIAL	
Housing	Aluminum alloy
Contacts	Copper alloy, silver plating
Insulator	Flame-retardant thermoplastic composition
Sealing	Rubber

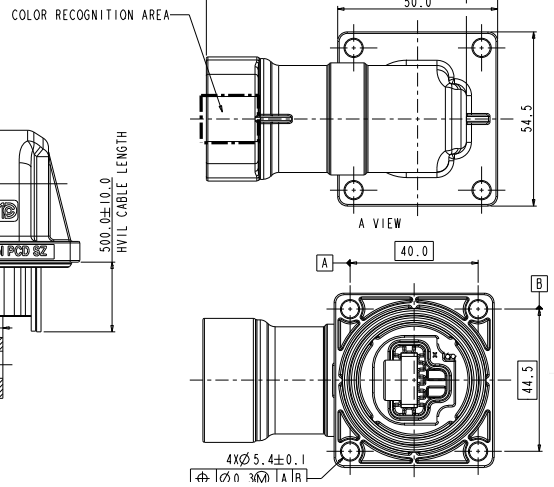
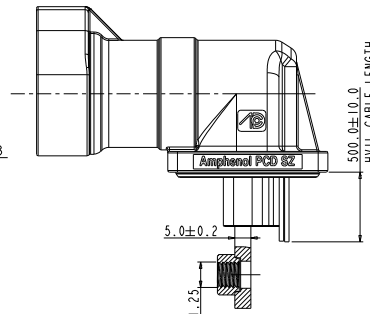
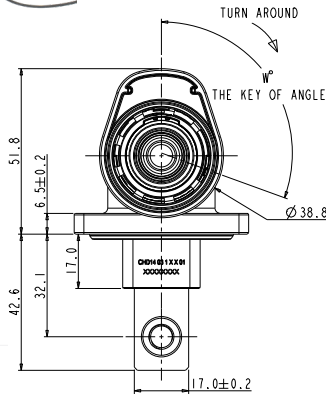
CHD 1-PIN | PLUG

CHD	14	06	1	X	X	XX
				A: coding A B: coding B C: coding C	D: coding D E: coding E	0: without HVIL 1: with HVIL 01: 150mm ² 02: 120mm ² 03: 95mm ² 04: 70mm ²

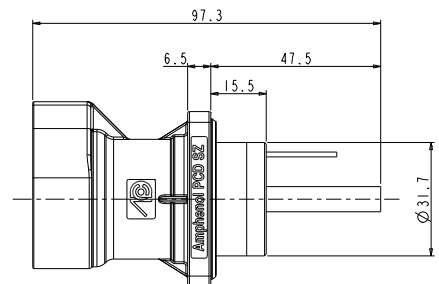
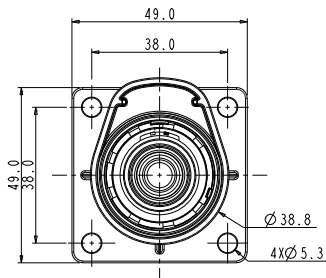


CHD 1-PIN | RECEPTACLES

CHD	14	03	1	X	X	01
				A: coding A B: coding B C: coding C	D: coding D E: coding E	0: without HVIL 1: with HVIL



CHD	14	02	1	X	X	01
				A: coding A B: coding B C: coding C	D: coding D E: coding E	0: without HVIL 1: with HVIL

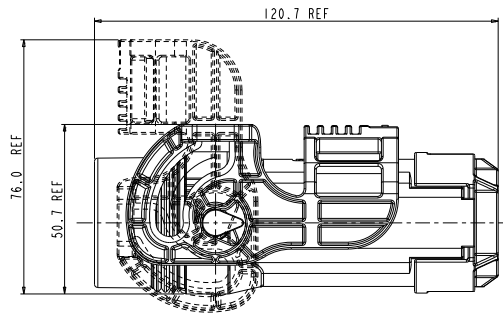
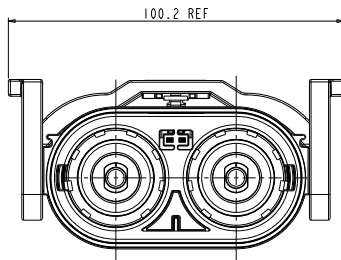


比例 1:1

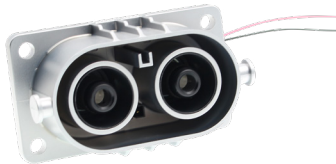
CHD 2-PIN | PLUG



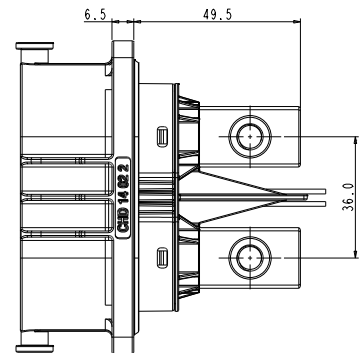
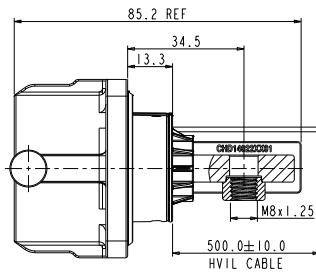
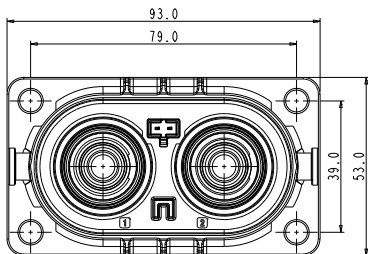
CHD	14	06	2	X	X	XX
				A: coding A	0: without HVIL	01: 150mm ²
				B: coding B	1: with HVIL	02: 120mm ²
				C: coding C		03: 95mm ²
						04: 70mm ²



CHD 2-PIN | RECEPTACLE



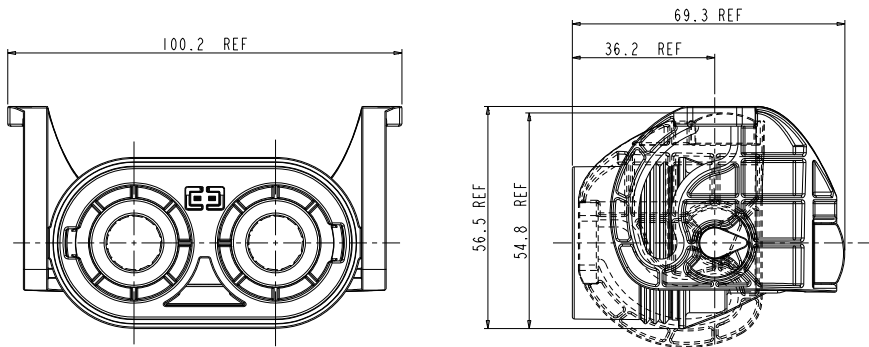
CHD	14	02	2	X	X	01
				A: coding A	0: without HVIL	
				B: coding B	1: with HVIL	
				C: coding C		



CHD 2-PIN SHUNT | PLUG



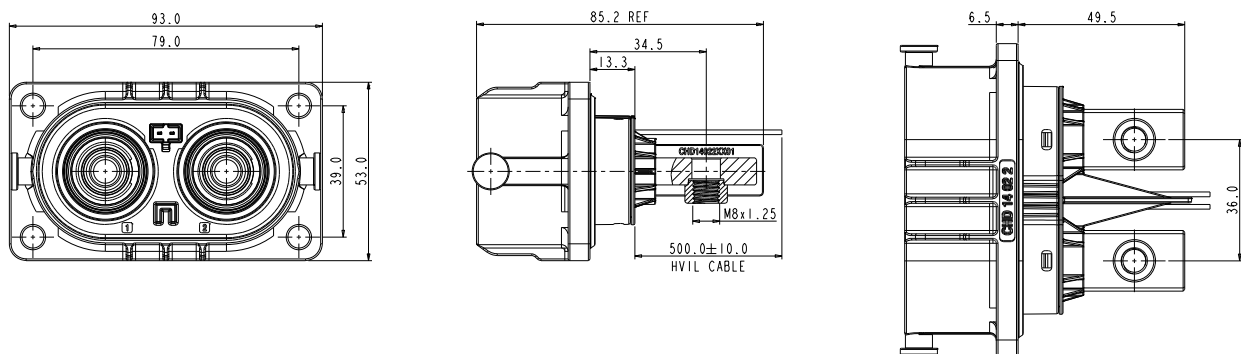
CHD	14	06	2	N	X	X	SC
					0: without HVIL 1: with HVIL	0: without power terminal 1: with power terminal	SC: Short connection



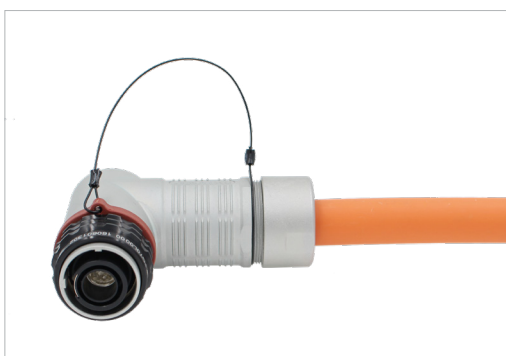
CHD 2-PIN SHUNT | RECEPTACLE



CHD	14	02	2	X	X	01
				A: coding A B: coding B C: coding C	0: without HVIL 1: with HVIL	



ExcelMate Mono (HVBI)



KEY FEATURES

- High voltage with interlock
- Easy to install in a limited space
- Push-pull locking system with audible "click"
- EMI shielding
- No tool required for unmating
- Sealing, IP67, IP6K9K (mated)
- Touch-proof IP2XB
- RoHS compliant
- Multiple coding positions

MECHANICAL

Durability	> 200 mating cycles
Wire range	16 to 70mm ²
Connection type	Crimping

ELECTRICAL

Rated voltage	1000V DC
Rated current	250A Max @ Ambient temperature 70°C
Insulator resistance	> 2000MΩ
Dielectric withstand voltage	3000V AC

ENVIRONMENTAL

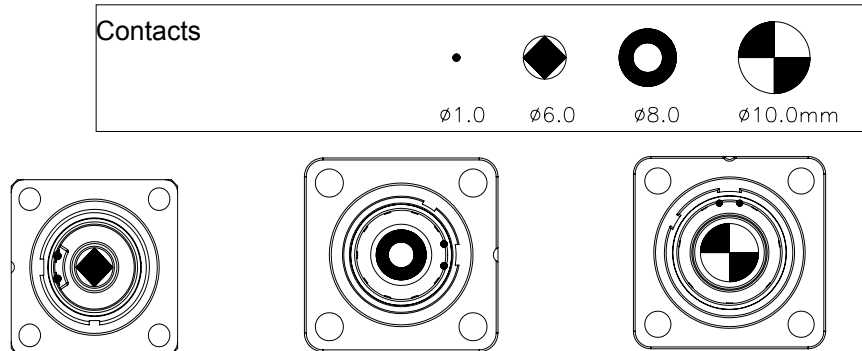
Sealing	IP67, IP6K9K (mated)
Touch-proof	IP2XB
Operating temperature	-40°C to 125°C
Inflammability	UL94V0
Salt spray	48h, 96h

MATERIAL

Shell	Zinc alloy, zinc plating and anodic oxidation
Contacts	Copper alloy, silver plating
Insulator	Flame-retardant thermoplastic composition
Sealing	Rubber

INSERT ARRANGEMENT

From front face of receptacle

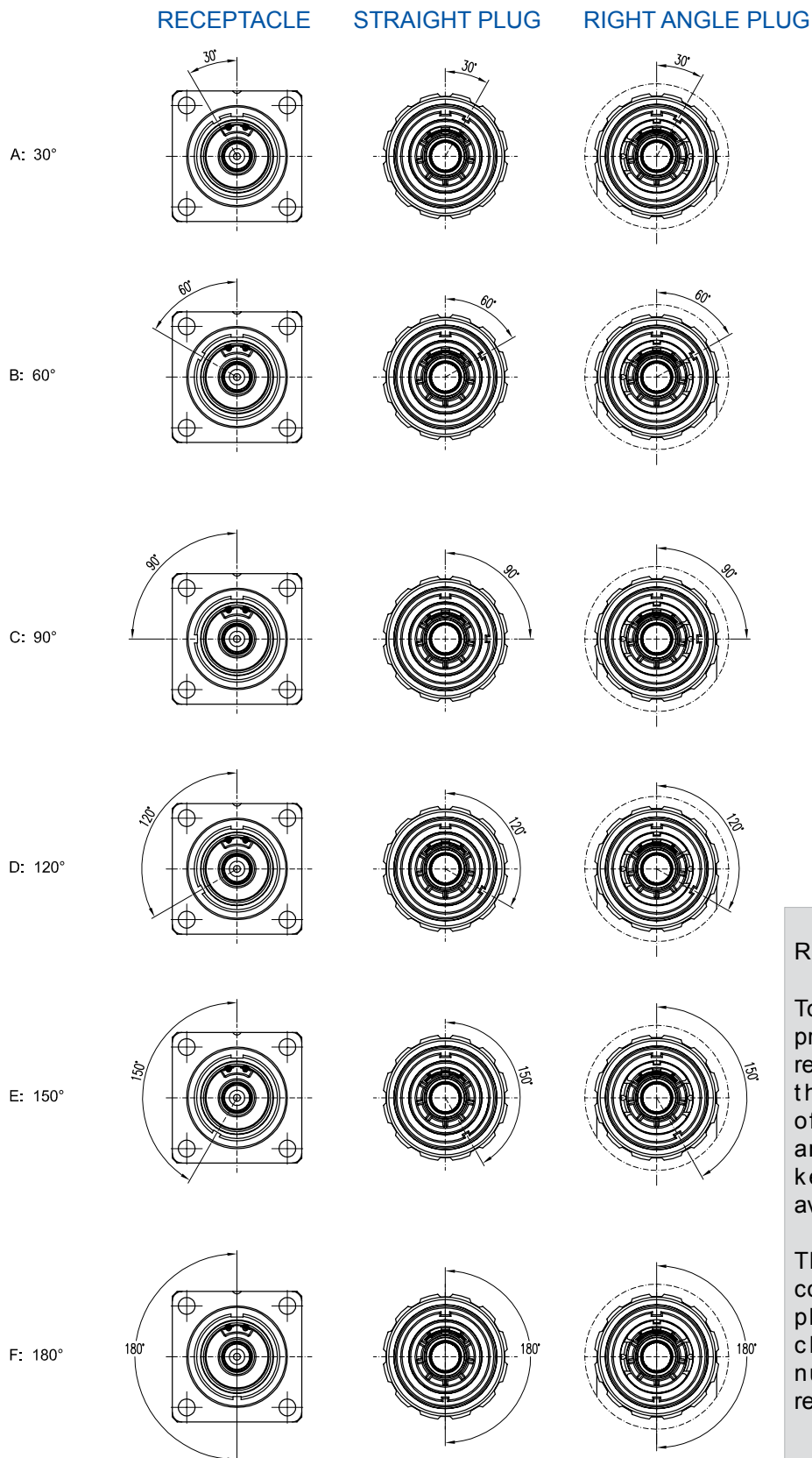


Insert arrangement	HVBI R6	HVBI R8	HVBI R10
Rated voltage	1000V DC	1000V DC	1000V DC
Rated current	120A +2 x 7.5A	180A +2 x 7.5A	250A +2 x 7.5A
Contact number	Power: 1 / Signal: 2	Power: 1 / Signal: 2	Power: 1 / Signal: 2
Withstanding voltage	3000V AC	3000V AC	3000V AC

HOW TO ORDER: RECEPTACLE

	HVBI	0	02R6	A	M	H	BBK
Shell type: 0: Receptacle							
Insert size: 02R6: 6mm Male contact (Rated current 120A) 03R8: 8mm Male contact (Rated current 180A) 05R10: 10mm Male contact (Rated current 250A)							
HVIL: A: With HVIL B: Without HVIL							
Insert type: M: Male contact							
Termination: H: Copper bar H6: M6 Thread (For contact insert R6, R8) H8: M8 Thread (For contact insert R10)							
Alternate keying positions & Color of locking nut: ARD: 30°, Red BBK: 60°, Black CYL: 90°, Yellow DGR: 120°, Green EBL: 150°, Blue FPU: 180°, Purple							

ALTERNATE KEYING POSITIONS

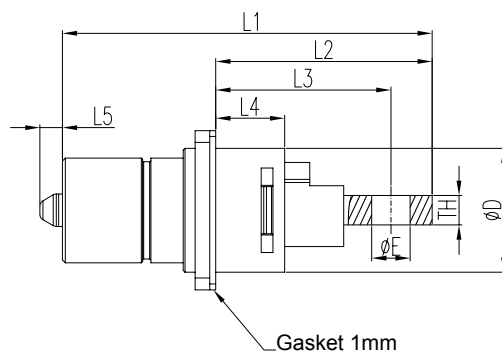
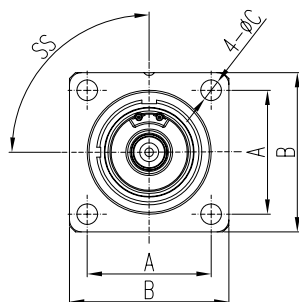


REMARK

To avoid cross-plugging problems in applications requiring the use of more than one connector of the same size and arrangement, alternate keying positions are available.

The shell key is rotated counter-clockwise. The plug would be rotated clockwise the same number of degrees in respect to the shell key.

RECEPTACLE WITH COPPER BAR

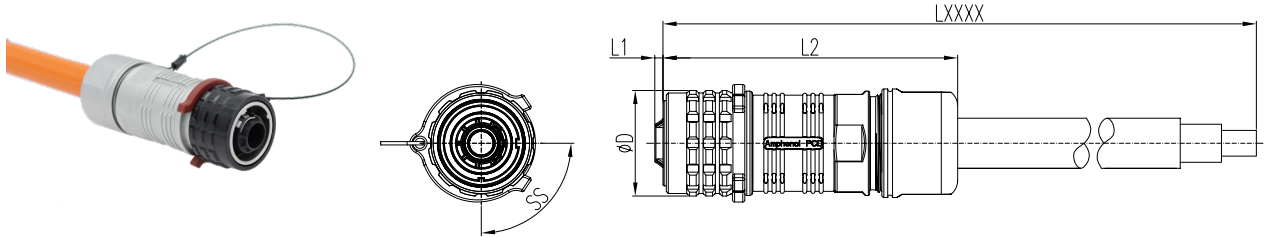


Part number	A	B	C	D	E	L1	L2	L3	L4	L5	TH
HVBI-0-02R6-XMHX-XX	21.0	27.0	3.5	21.0	6.5	62.7	37.7	30.7	12.7	3.8	5.0
HVBI-0-03R8-XMHX-XX	23.0	31.0	4.5	23.0	8.5	76.7	43.7	35.7	15.9	/	5.0
HVBI-0-05R10-XMHX-XX	24.6	33.0	4.5	26.0	10.5	85.9	52.6	40.6	18.4	0.8	6.0
HVBI-0-02R6-XMH6X-XX	21.0	27.0	3.5	21.0	M6	62.7	37.7	30.7	12.7	3.8	5.0
HVBI-0-03R8-XMH6X-XX	23.0	31.0	4.5	23.0	M6	76.7	43.7	35.7	15.9	/	5.0
HVBI-0-05R10-XMH8X-XX	24.6	33.0	4.5	26.0	M8	85.9	52.6	40.6	18.4	0.8	6.0

HOW TO ORDER: PLUG

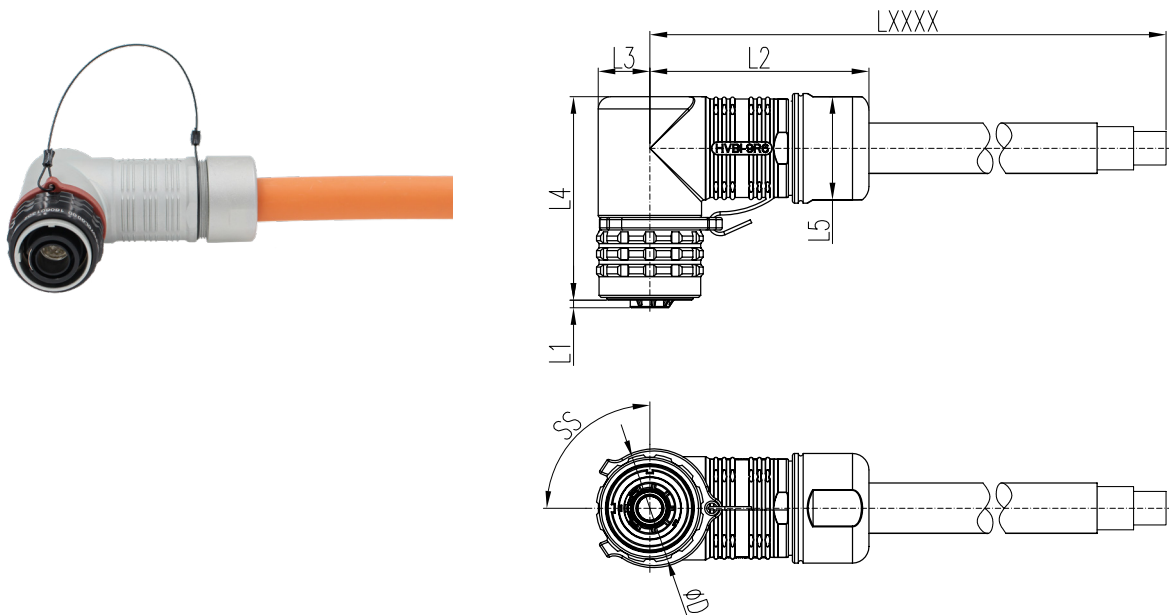
	HVBI	9	02R6	A	F	C	ARD	FG	25	LXXXX
Shell type:										
7: Straight plug										
9: Right angle plug										
Insert size:										
02R6: 6mm Radsok (Rated current 120A)										
03R8: 8mm Radsok (Rated current 180A)										
05R10: 10mm Radsok (Rated current 250A)										
HVIL:										
A: With HVIL										
B: Without HVIL										
Insert type:										
F: Female contact										
Contact type:										
C: Crimp										
Alternate keying positions:										
ARD: 30°, Red										
BBK: 60°, Black										
CYL: 90°, Yellow										
DGR: 120°, Green										
EBL: 150°, Blue										
FPU: 180°, Purple										
FG: Shielded										
PC: Unshielded										
Cable section:										
16: 16mm ² cable										
25: 25mm ² cable										
35: 35mm ² cable										
50: 50mm ² cable										
70: 70mm ² cable										
Cable length:										
LXXXX: Cable length (Unit in mm)										

STRAIGHT PLUG



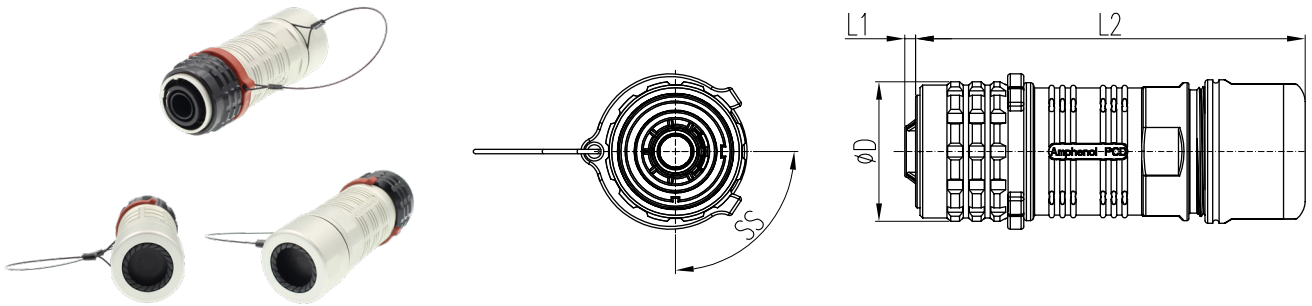
Part number	D	L1	L2	LXXXX	Cable section(mm ²)
HVBI-7-02R6-XFC-X-XX-FG / PC-XX....	26.0	2.0	70	Cable length (mm), custom orders are available	16mm ² to 25mm ²
HVBI-7-03R8-XFC-X-XX-FG / PC-XX....	27.5	2.0	82		35mm ² to 50mm ²
HVBI-7-05R10-XFC-X-XX-FG / PC-XX....	32.5	1.5	92		50mm ² to 70mm ²
Notes: FG: Shielded type PC: Unshielded type					

RIGHT ANGLE PLUG



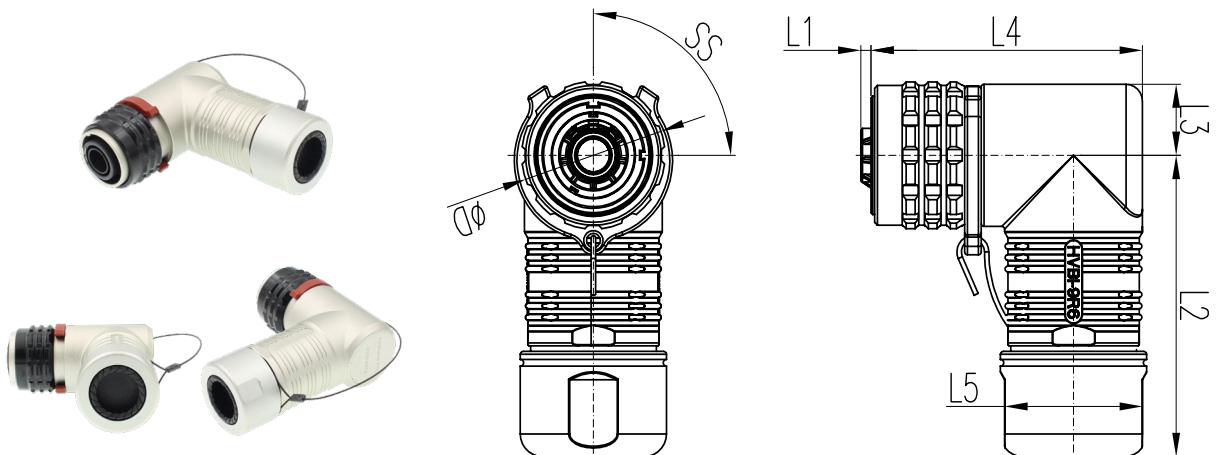
Part number	D	L1	L2	L3	L4	L5	LXXXX	Cable section (mm ²)
HVBI-9-02R6-XFC-X-XX-FG / PC-XX....	26.0	1.8	53.0	12.5	49.3	25.0	Cable length (mm), custom orders are available	16mm ² to 25mm ²
HVBI-9-03R8-XFC-X-XX-FG / PC-XX....	27.5	2.0	62.0	13.9	58.5	27.3		35mm ² to 50mm ²
HVBI-9-05R10-XFC-X-XX-FG / PC-XX....	32.5	1.5	69.5	16.0	64.0	31.5		50mm ² to 70mm ²
Notes: FG: Shielded type PC: Unshielded type								

STRAIGHT DUMMY PLUG



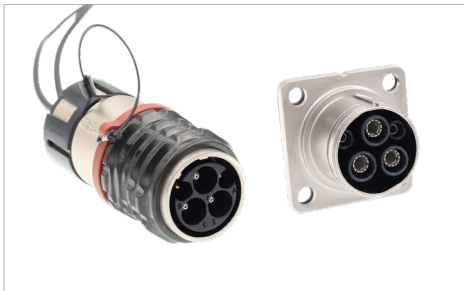
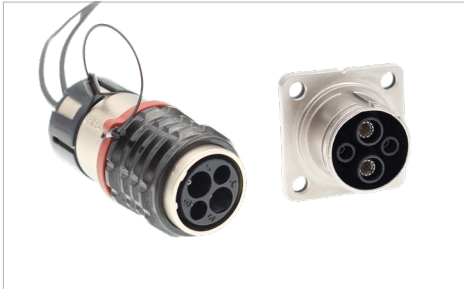
Part number	D	L1	L2
HVBI-7-03R8-XFC-X-XX-S1	27.5	2.0	82
HVBI-7-05R10-XFC-X-XX-S1	32.5	1.5	92

RIGHT ANGLE DUMMY PLUG



Part number	D	L1	L2	L3	L4	L5
HVBI-9-03R8-XFC-X-XX-S1	27.5	2.0	62.0	13.9	58.5	27.3
HVBI-9-05R10-XFC-X-XX-S1	32.5	1.5	69.5	16.0	64.0	31.5

EX series

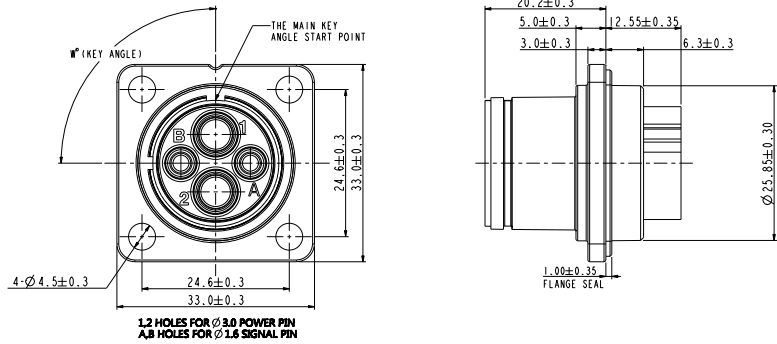


KEY FEATURES

- Easy to install in a limited space
- Push-pull locking system with audible "click"
- EMI shielding
- No tool required to unmate
- Sealing, IP68, IP6K9K (mated)
- Touch-proof IP2XB
- Multiple coding positions
- RoHS compliant

APPLICATIONS	
EV air-conditioner	
DCDC	
PTC	
Power distribution boxes	
MECHANICAL	
Durability	50 mating cycles
Wire range	2.5 to 6mm ² (RA plug: 2.5 to 4mm ²)
Connection type	Crimping
ELECTRICAL	
Rated voltage	1000V DC
Rated current	6.0mm ² cable shield: 40A Max @ Ambient temperature 70°C 4.0mm ² cable shield: 32A Max @ Ambient temperature 70°C 2.5mm ² cable shield: 23A Max @ Ambient temperature 70°C
Insulator resistance	> 2000MΩ
Dielectric withstand voltage	3000V AC
ENVIRONMENTAL	
Sealing	IP68, IP6K9K (mated)
Touch-proof	IP2XB
Operating temperature	-40°C to 125°C
Inflammability	UL94V0
Salt spray	96h
MATERIAL	
Shell	Aluminum alloy with zinc, nickel plating and anodic oxidation
Contacts	Copper alloy, silver plating
Insulator	Flame-retardant thermoplastic composition
Sealing	Rubber

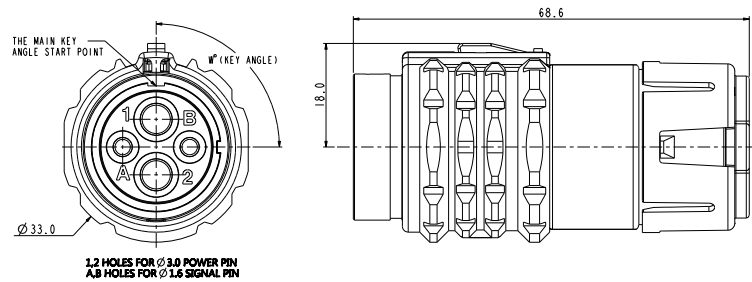
RECEPTACLE EX 402



All connectors do not include contacts. Please order them separately (ref: P/N below)

Socket contact ($\varnothing 3.0$): crimping	Socket signal contact ($\varnothing 1.6$)
P/N: EX30F4 (for 2.5 to 4 mm ²) P/N: EX30F6 (for 6 mm ²)	P/N: EX16F1

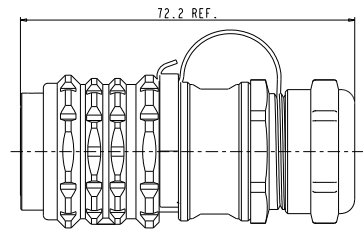
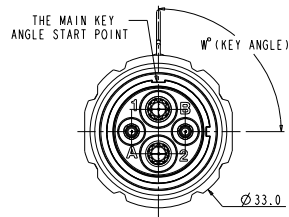
STRAIGHT PLUG EX 402 (Individual shielded wire)



All connectors do not include contacts. Please order them separately (ref: P/N below)

Pin contact ($\varnothing 3.0$): crimping	Pin signal contact ($\varnothing 1.6$)
P/N: EX30M4 (for 2.5 to 4 mm ²) P/N: EX30M6 (for 6 mm ²)	P/N: EX16M1

STRAIGHT PLUG EX 402 (Multicore shielded wire)

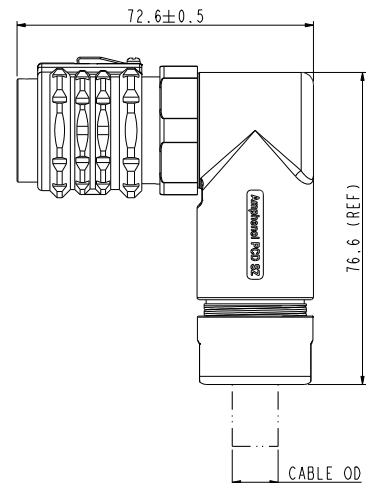
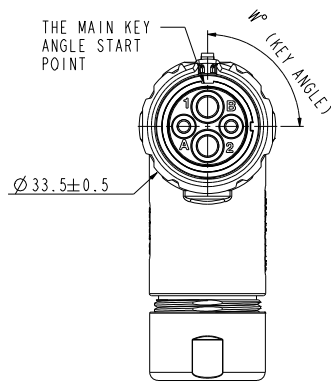


1, 2 HOLES FOR $\varnothing 3.0$ POWER PIN
A, B HOLES FOR $\varnothing 1.6$ HVIL PIN

All connectors do not include contacts. Please order them separately (ref: P/N below)

Pin contact ($\varnothing 3.0$): crimping	Pin signal contact ($\varnothing 1.6$)
P/N: EX30M4 (for 2.5 to 4 mm ²) P/N: EX30M6 (for 6 mm ²)	P/N: EX16M1

RIGHT-ANGLE PLUG EX 402



1, 2 HOLES FOR $\varnothing 3.0$ POWER PIN
A, B HOLES FOR $\varnothing 1.6$ SIGNAL PIN

All connectors do not include contacts. Please order them separately (ref: P/N below)

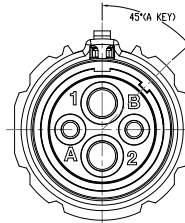
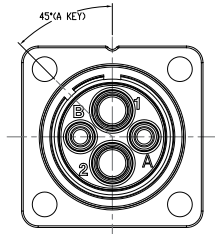
Pin contact ($\varnothing 3.0$): crimping	Pin signal contact ($\varnothing 1.6$)
P/N: EX30M4 (for 2.5 to 4 mm ²) P/N: EX30M6 (for 6 mm ²)	P/N: EX16M1

EX 402: ALTERNATE KEYING POSITIONS

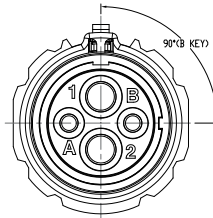
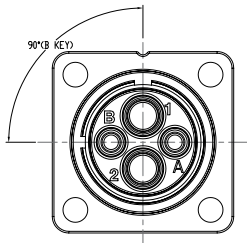
RECEPTACLE

STRAIGHT PLUG

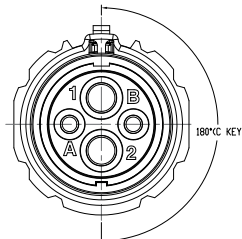
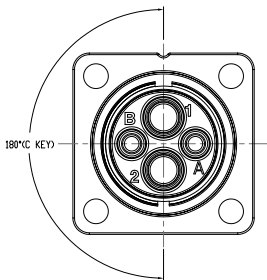
A: 45°



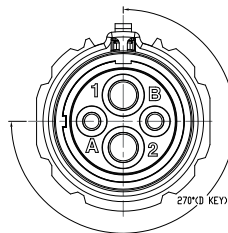
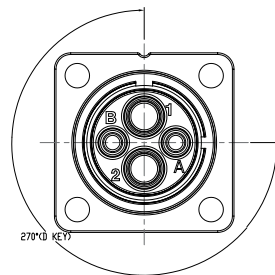
B: 90°



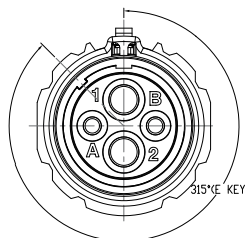
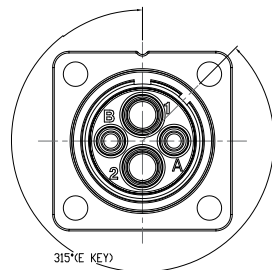
C: 180°



D: 270°



E: 315°

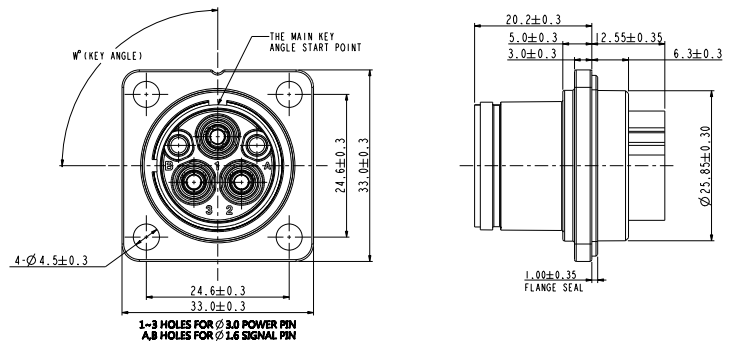


REMARK

To avoid cross-plugging problems in applications requiring the use of more than one connector of the same size and arrangement, alternate keying positions are available.

The shell key is rotated counter-clockwise. The plug would be rotated clockwise the same number of degrees in respect to the shell key.

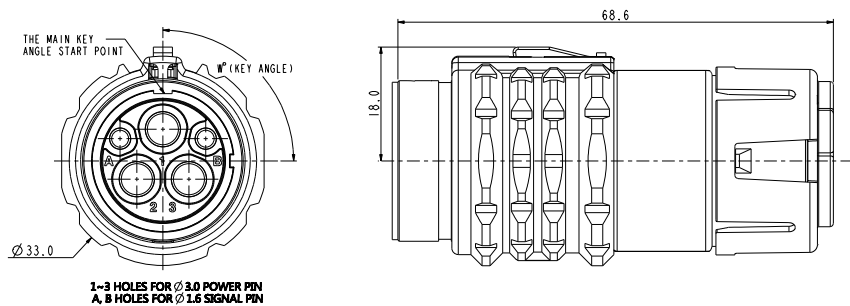
RECEPTACLE EX 403



All connectors do not include contacts. Please order them separately (ref: P/N below)

Socket contact ($\varnothing 3.0$): crimping	Socket signal contact ($\varnothing 1.6$)
P/N: EX30F4 (for 2.5 to 4 mm ²) P/N: EX30F6 (for 6 mm ²)	P/N: EX16F1

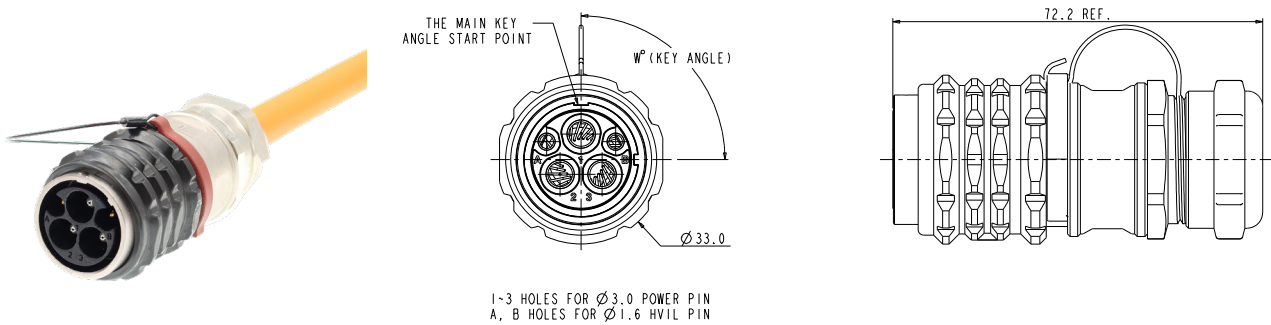
STRAIGHT PLUG EX 403 (Individual shielded wire)



All connectors do not include contacts. Please order them separately (ref: P/N below)

Pin contact ($\varnothing 3.0$): crimping	Pin signal contact ($\varnothing 1.6$)
P/N: EX30M4 (for 2.5 to 4 mm ²) P/N: EX30M6 (for 6 mm ²)	P/N: EX16M1

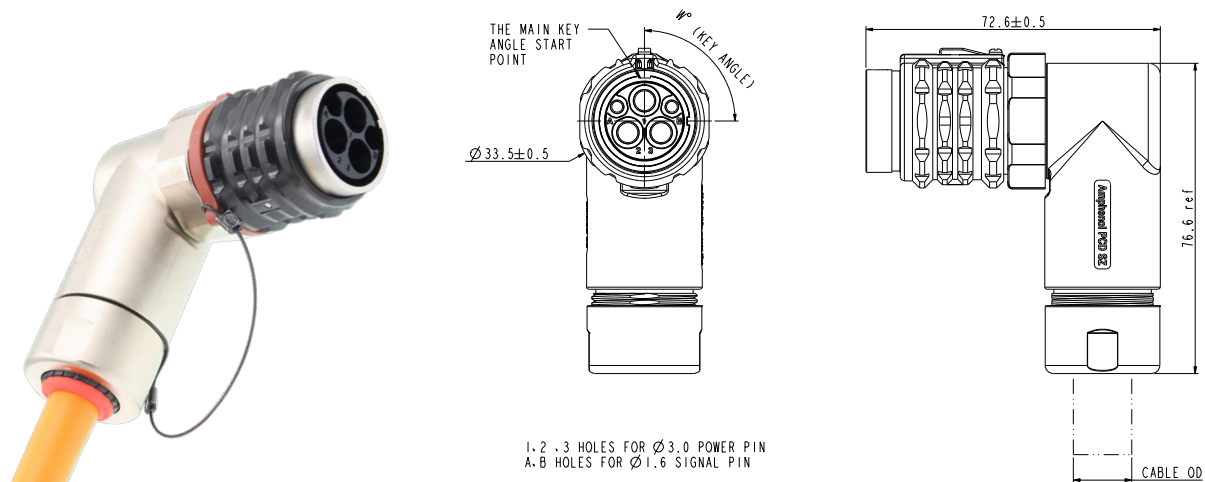
STRAIGHT PLUG EX 403 (Multicore shielded wire)



All connectors do not include contacts. Please order them separately (ref: P/N below)

Pin contact (Ø 3.0): crimping	Pin signal contact (Ø 1.6)
P/N: EX30M4 (for 2.5 to 4 mm ²) P/N: EX30M6 (for 6 mm ²)	P/N: EX16M1

RIGHT-ANGLE PLUG EX 403



All connectors do not include contacts. Please order them separately (ref: P/N below)

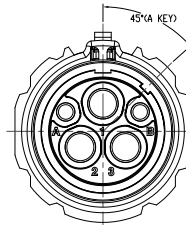
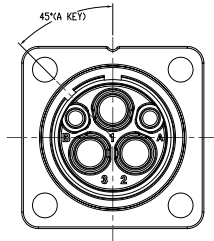
Pin contact (Ø 3.0): crimping	Pin signal contact (Ø 1.6)
P/N: EX30M4 (for 2.5 to 4 mm ²) P/N: EX30M6 (for 6 mm ²)	P/N: EX16M1

EX 403: ALTERNATE KEYING POSITIONS

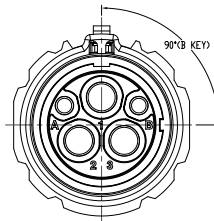
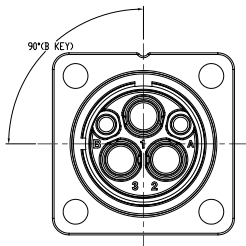
RECEPTACLE

STRAIGHT PLUG

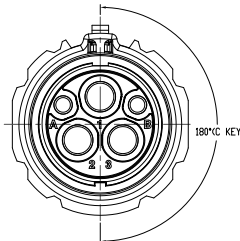
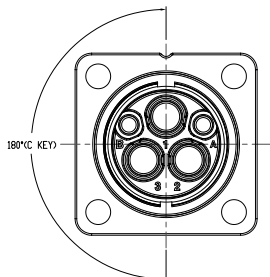
A: 45°



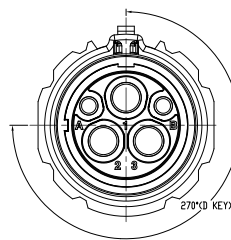
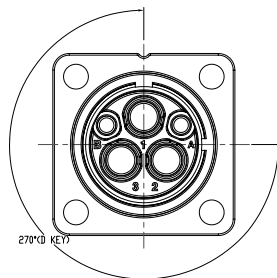
B: 90°



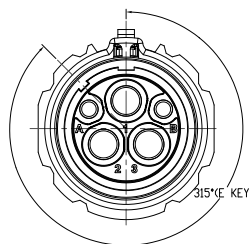
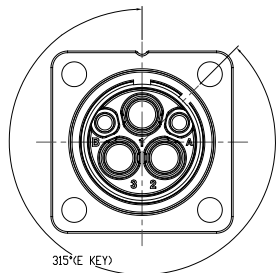
C: 180°



D: 270°



E: 315°



REMARK

To avoid cross-plugging problems in applications requiring the use of more than one connector of the same size and arrangement, alternate keying positions are available.

The shell key is rotated counter-clockwise. The plug would be rotated clockwise the same number of degrees in respect to the shell key.

HOW TO ORDER

STRAIGHT PLUG (Individual shielded wire)

EX	402	06	A	1	2	I
Product series: 402 (2 pin), 403 (3 pin)						
Product type: 06: Straight plug						
Alternate keying positions & Locking nut color: A: Coding A, Red D: Coding D, Green B: Coding B, Black E: Coding E, Blue C: Coding C, Yellow						
Interlock 0: Without interlock 1: With internal interlock 2: With external interlock						
Cable section: 2: 2.5mm ² (23A) 4: 4.0mm ² (32A) 6: 6.0mm ² (40A)						
Cable type: I: Individually						

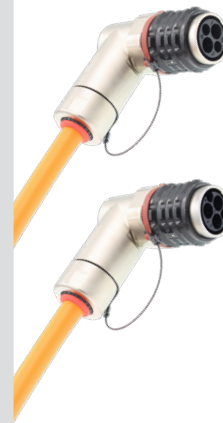


STRAIGHT PLUG (Multicore shielded wire)

EX	402	06	A	M
Product series: 402 (2 pin), 403 (3 pin)				
Product type: 06: Straight plug				
Alternate keying positions & Locking nut color: A: Coding A, Red D: Coding D, Green B: Coding B, Black E: Coding E, Blue C: Coding C, Yellow				
Cable type: M: Multicore				



	EX	402	08	A	1	11	M
Product series: 402 (2 pin), 403 (3 pin)							
Product type: 08: Right-angle plug							
Alternate keying positions & Locking nut color: A: Coding A, Red D: Coding D, Green B: Coding B, Black E: Coding E, Blue C: Coding C, Yellow							
Interlock 0: Without interlock 1: With internal interlock 2: With external interlock							
Cable section: 11: Cable OD 10 to 10.8mm 13: Cable OD 11.9 to 12.8mm 12: Cable OD 10.9 to 11.8mm 14: Cable OD 12.9 to 14mm							
Cable type: M: Multicore							



RECEPTACLE

	EX	402	02	A
Product series: 402 (2 pin), 403 (3 pin)				
Product type: 02: Flange receptacle				
Alternate keying positions & Locking nut color: A: Coding A, Red D: Coding D, Green B: Coding B, Black E: Coding E, Blue C: Coding C, Yellow				



HVG SERIES



KEY FEATURES

- Easy to install in a limited space
- Push-pull locking system with audible "click"
- EMI shielding
- No tool required to unmate
- Sealing, IP67, IP6K9K (mated)
- Multiple coding positions
- RoHS compliant

APPLICATIONS	
EV air-conditioner	
DCDC	
PTC	
Power distribution boxes	
MECHANICAL	
Durability	> 200 mating cycles
Connection type	Crimping
ELECTRICAL	
Rated voltage	800V DC
Rated current	2.5mm ² : 23A @Ambient temp. 70°C 4mm ² : 32A @Ambient temp. 70°C 6mm ² : 40A @Ambient temp. 70°C 10mm ² : 50A @Ambient temp. 70°C
Insulator resistance	> 2000MΩ
Dielectric withstand voltage	3000V AC
Shielding	Yes
ENVIRONMENTAL	
Sealing	IP67, IP6K9K (mated)
Temperature range	-40°C to 125°C, short term to 150°C
Inflammability	UL94V0
Salt spray	96h
MATERIAL	
Shell	Aluminum alloy with zinc, nickel plating and anodic oxidation
Contacts	Copper alloy, silver plating
Insulator	Flame-retardant thermoplastic composition
Sealing	Rubber

INSERT ARRANGEMENT

From front face of receptacle

Contacts

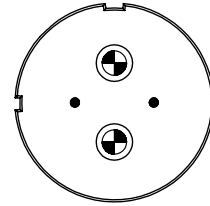
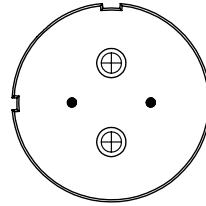
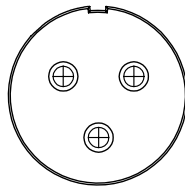


∅1.0

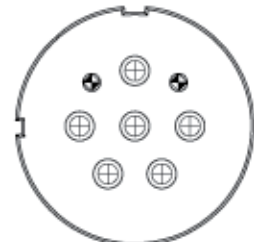
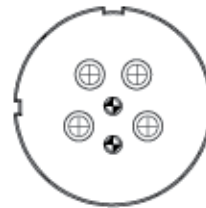
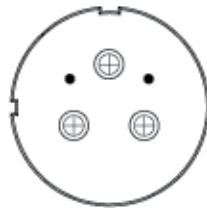
∅1.6

∅3.0

∅3.6mm



Insert arrangement	HVS203	HVG402	HVG492
Rated voltage	800V DC	800V DC	800V DC
Rated current	3 x 32A	2 x 32A + 2 x 7.5A	2 x 50A + 2 x 7.5A
Contact number	Power: 3	Power: 2 / Signal: 2	Power: 2 / Signal: 2
Withstanding voltage	2500V	3000V	3000V



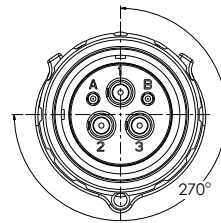
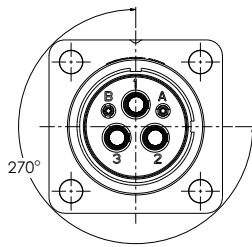
Insert arrangement	HVG403	HVG404	HVG406
Rated voltage	800V DC	800V DC	800V DC
Rated current	3 x 32A + 2 x 7.5A	4 x 32A + 2 x 7.5A	6 x 32A + 2 x 7.5A
Contact number	Power: 3 / Signal: 2	Power: 4 / Signal: 2	Power: 6 / Signal: 2
Withstanding voltage	3000V	3000V	3000V

ALTERNATE KEYING POSITIONS

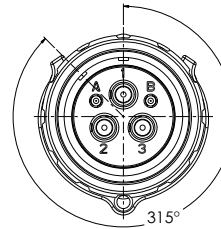
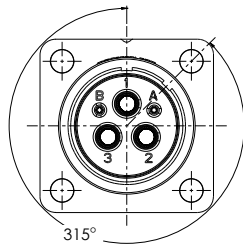
RECEPTACLE

STRAIGHT PLUG

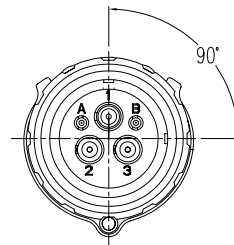
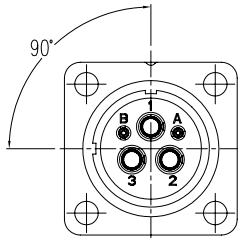
X: 270°



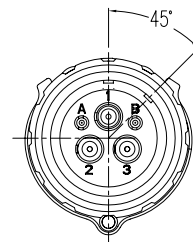
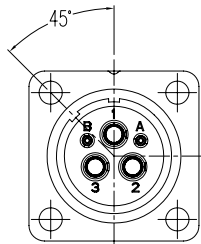
Y: 315°



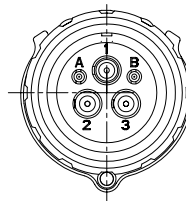
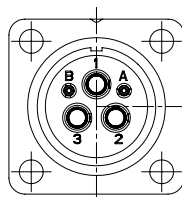
Z: 90°



W: 45°



N: NORMAL

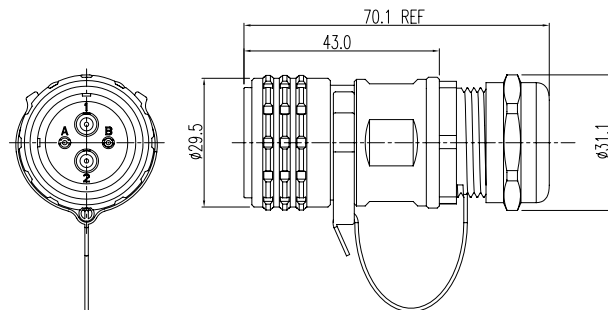
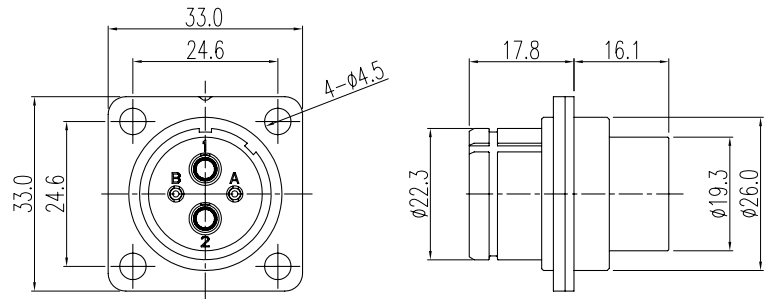


REMARK

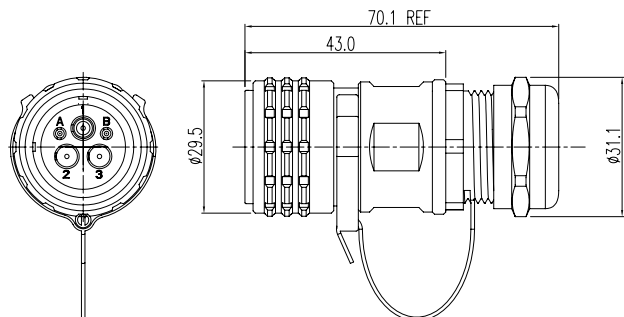
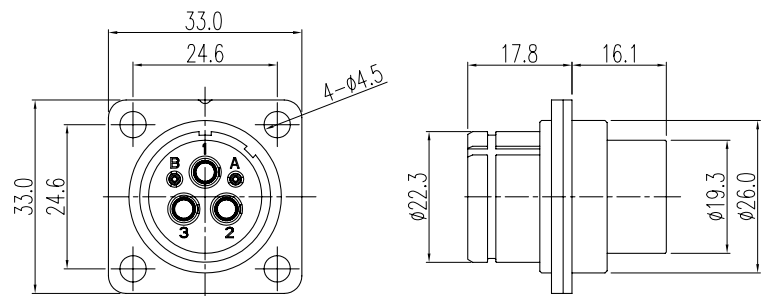
To avoid cross-plugging problems in applications requiring the use of more than one connector of the same size and arrangement, alternate keying positions are available.

The shell key is rotated counter-clockwise. The plug would be rotated clockwise the same number of degrees in respect to the shell key.

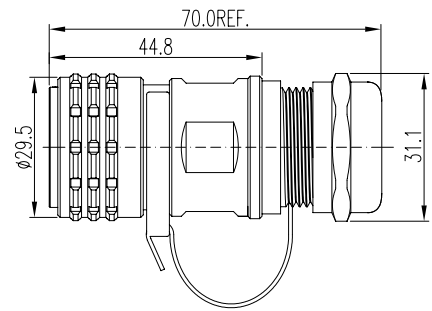
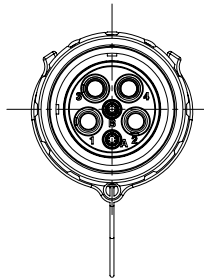
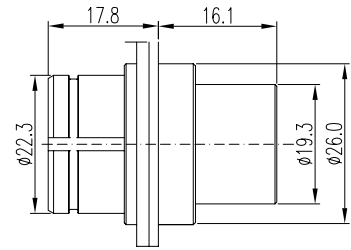
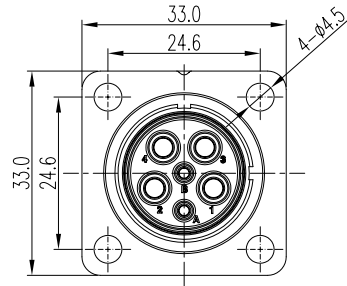
RECEPTACLE AND PLUG: 402



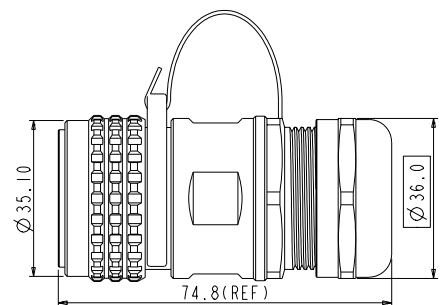
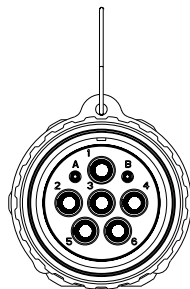
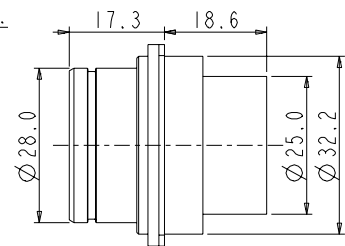
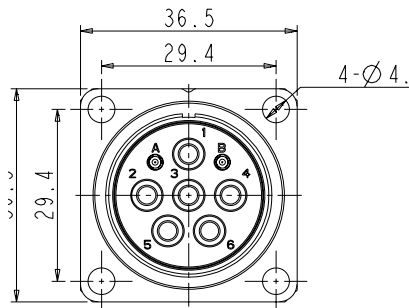
RECEPTACLE AND PLUG: 403



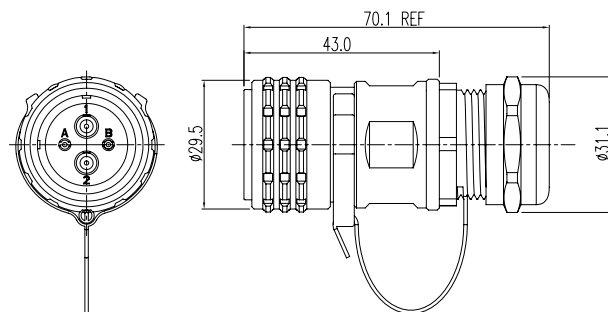
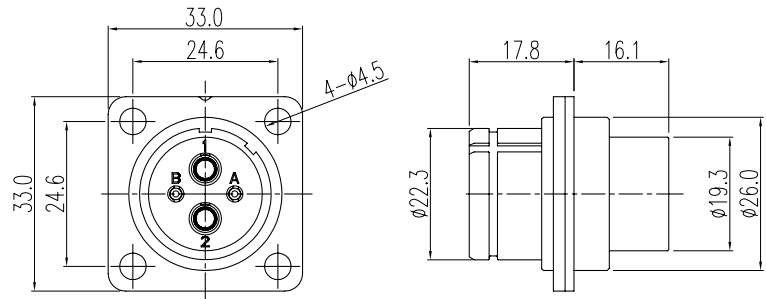
RECEPTACLE AND PLUG: 404



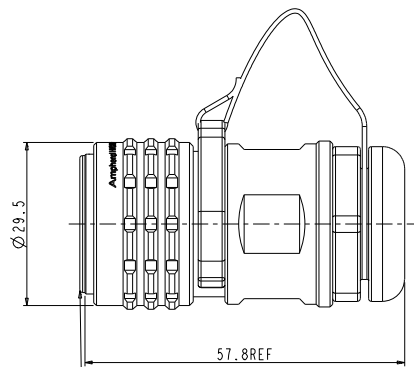
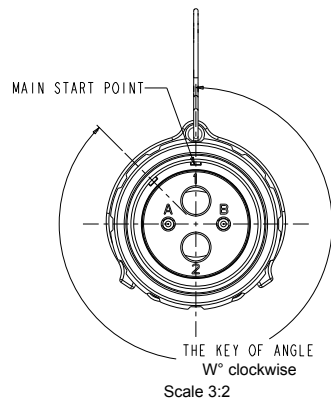
RECEPTACLE AND PLUG: 406



RECEPTACLE AND PLUG: 492



DUMMY PLUG: 402



The protective cap must be assembled before the finished product is shipped.
This protective cap is hidden on this drawing to conveniently mark the angle.

HVG IP 402 M C

X

X

S1

Key code:

See table below

Color code:

See table below

Dummy plug:

S1

KEY CODE	ANGLE OF KEY (W°)	COLOR CODE	COLOR OF LOCKING RING	P/N (FOR EXAMPLE)
NO CODE	0°	NO CODE	BLACK	HVGIP402MC
X	270°	R	RED	HVGIP402MC X R
Y	315°	Y	YELLOW	HVGIP402MC Y Y
Z	90°	B	BLUE	HVGIP402MC Z B
W	45°	G	GREEN	HVGIP402MC W G
X	270°	NO CODE	BLACK	HVGIP402MC X
Y	315°			HVGIP402MC Y
Z	90°			HVGIP402MC Z
W	45°			HVGIP402MC W
X	270°	B	BLUE	HVGIP402MC X B
Y	315°			HVGIP402MC Y B
Z	90°	R	RED	HVGIP402MC Z R

RECEPTACLE

	HVG	1S	402	M	C	XRD
HVG series						
Product type: 1S: Flange receptacle						
Insert arrangement: (HVG Series not include contact, order seperately, P/N please refer to page 30) 402: 2 X (23A to 32A) + 2 X 7.5A 403: 3 X (23A to 32A) + 2 X 7.5A 492: 2 X (40A to 50A) + 2 X 7.5A						
Contact type: M: Male contact F: Female contact						
C: Crimp version						
Alternate keying positions & Shell color: XRD: 270°, Red YYL: 315°, Yellow ZBL: 90°, Blue WGR: 45°, Green						

HOW TO ORDER: 402, 403, 492 - Shielded cable

PLUG - shielded cable

	HVG	1P	402	M	C	XRD
HVG series						
Product type: 1P: 1-PIN Plug						
Insert arrangement: (HVG Series not include contact, order seperately, P/N please refer to page 30) 402: 2 X (23A to 32A) + 2 X 7.5A 403: 3 X (23A to 32A) + 2 X 7.5A 492: 2 X (40A to 50A) + 2 X 7.5A						
Contact type: M: Male contact F: Female contact						
C: Crimp version						
Alternate keying positions & Shell color: XRD: 270°, Red YYL: 315°, Yellow ZBL: 90°, Blue WGR: 45°, Green						

HOW TO ORDER: 402, 403, 492 - unshielded cable

PLUG - unshielded cable

	HVG	1P	402	M	C	XRD	2	D	4	L0000
HVG series										
Product type: 1P: 1-PIN Plug										
Insert arrangement (HVG series not include contact, order seperately, P/N please refer to page 30) 402: 2 X (23A to 32A) + 2 X 7.5A 403: 3 X (23A to 32A) + 2 X 7.5A 492: 2 X (40A to 50A) + 2 X 7.5A										
Contact type: M: Male contact F: Female contact										
C: Crimp version										
Alternate keying positions & Locking nut color: XRD: 270°, Red YYL: 315°, Yellow ZBL: 90°, Blue WGR: 45°, Green										
Cable cores: 2, 3										
Cable gland type: D: Unshielded wire										
Cable section: 2: 2.5mm ² (rated voltage of 23A) 4: 4mm ² (rated voltage of 32A) 6: 6mm ² (rated voltage of 40A) A: 10mm ² (rated voltage of 50A)										
Cable length: L0000: Cable length (Unit in mm)										

RECEPTACLE

	HVS	1S	203	M	C	X
HVS series						
Product type: 1S: Flange receptacle						
Insert arrangement: 203: 3 X 32A						
Contact type: M: Male contact F: Female contact						
C: Crimp version						
Alternate keying positions: Omit: Without X: 270° Y: 315° Z: 90° W: 45°						

PLUG

	HVS	1P	203	M	C	X
HVS series						
Product type: 1P: 1-PIN Plug						
Insert arrangement: 203: 3 X 32A						
Contact type: M: Male contact F: Female contact						
C: Crimp version						
Alternate keying positions: Omit: Without X: 270° Y: 315° Z: 90° W: 45°						

RECEPTACLE

	HVG	1S	404	M	C	XRD	4	D	4	L0000
HVG series										
Product type: 1S: Flange receptacle										
Insert arrangement: (HVG Series not include contact, order seperately, P/N please refer to page P30) 404: 4 X (23A to 32A) + 2 X 7.5A										
Contact type: M: Male contact										
C: Crimp version										
Alternate keying positions & Shell color: XRD: 270°, Red YGR: 315°, Green ZBL: 90°, Blue WYL: 45°, Yellow										
Cable cores: 4										
Cable gland type: D: Unshielded wire										
Cable section: 2: 2.5mm ² (rated voltage of 23A) 4: 4mm ² (rated voltage of 32A)										
Cable length: L0000: Cable length (Unit in mm)										

RECEPTACLE

	HVG	1S	406	M	C	XRD
HVG series						
Product type: 1S: Flange receptacle						
Insert arrangement (HVG series not include contact, order separately, P/N please refer to page P30) 406: 6 X (23A to 32A) + 2 X 7.5A						
Contact type: M: Male contact						
C: Crimp version						
Alternate keying positions & Locking nut color: XRD: 270°, Red YGR: 315°, Green ZBL: 90°, Blue WYL: 45°, Yellow						

PLUG

	HVG	1P	404	F	C	XRD	4	D	4	L0000
HVG series										
Product type: 1P: 1-PIN Plug										
Insert arrangement (HVG series not include contact, order seperately, P/N please refer to page 32) 404: 4 X (23A to 32A) + 2 X 7.5A 406: 6 X (23A to 32A) + 2 X 7.5A										
Contact type: F: Female contact										
C: Crimp version										
Alternate keying positions & Locking nut color: XRD: 270°, Red YGR: 315°, Green ZBL: 90°, Blue WYL: 45°, Yellow										
Cable cores: 4, 6										
Cable gland type: A: Shielded cable D: Unshielded wire										
Cable section: 2: 2.5mm ² (rated voltage of 23A) 4: 4mm ² (rated voltage of 32A)										
Cable length: L0000: Cable length (Unit in mm)										

HVS SERIES



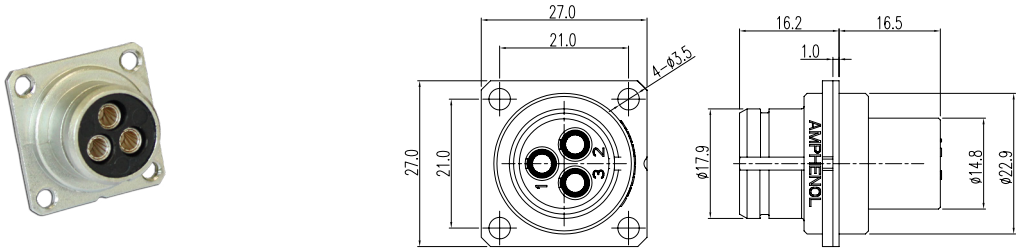
KEY FEATURES

- Easy to install in a limited space
- Push-pull locking system with audible "click"
- EMI shielding
- No tool required for unmating
- Sealing, IP67, IP6K9K (mated)
- Multiple coding positions
- RoHS compliant

APPLICATIONS	
EV air-conditioner	
DCDC	
PTC	
Power distribution boxes	
MECHANICAL	
Durability	> 200 mating cycles
Connection type	Crimping
ELECTRICAL	
Rated voltage	230V AC / 400V DC
Rated current	32A Max @ Ambient temperature 70°C
Insulator resistance	> 2000MΩ
Dielectric withstand voltage	2500V AC
Shielding	Yes
ENVIRONMENTAL	
Sealing	IP67, IP6K9K (mated)
Temperature range	-40°C to 125°C, short term to 150°C
Inflammability	UL94V0
Salt spray	48h, 96h
MATERIAL	
Shell	Aluminum alloy with zinc, nickel plating and anodic oxidation
Contacts	Copper alloy, silver plating
Insulator	Flame-retardant thermoplastic composition
Sealing	Rubber

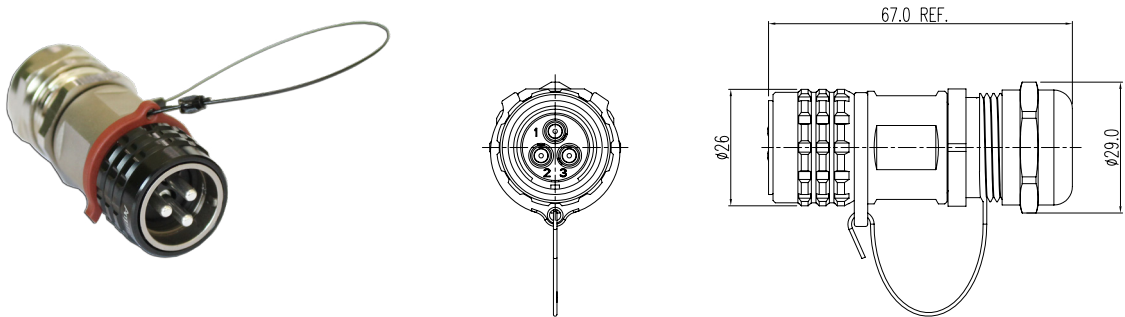
RECEPTACLE

P/N: **HVS1S-203FC** (socket) / **HVS1S-203MC** (pin)



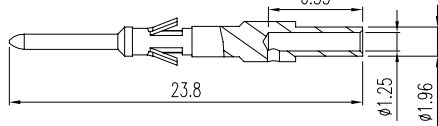
PLUG

P/N: **HVS1P-203MC** (pin) / **HVS1P-203FC** (socket)

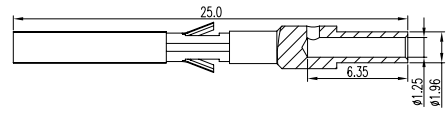


CONTACTS Notice: HVG series connectors do not include contacts, please order separately.

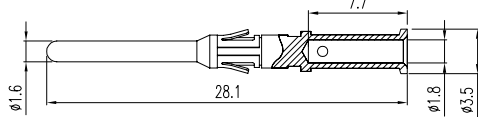
HVG20M1



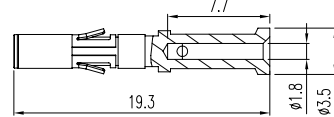
HVG20F1



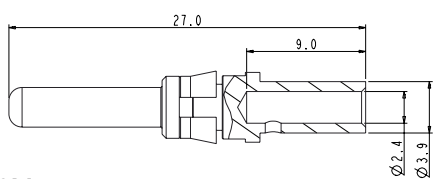
ASRC16P001AU



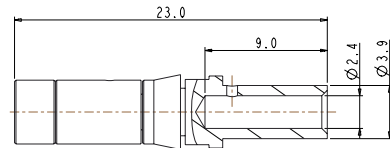
ASRC16SC001AU



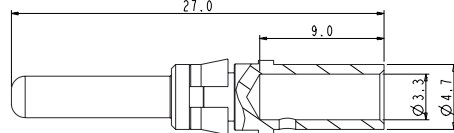
HVG30M2



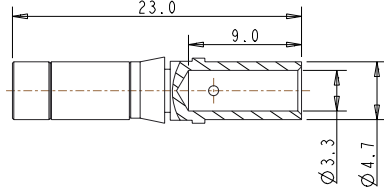
HVG30F2



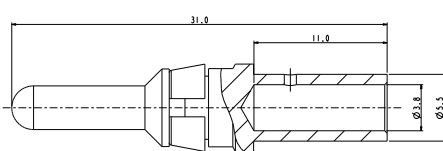
HVG30M4



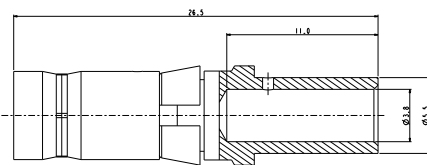
HVG30F4



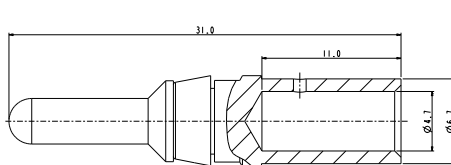
HVG30M6



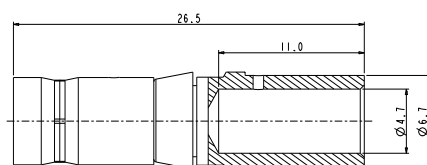
HVG30F6



HVG30M10



HVG30F10

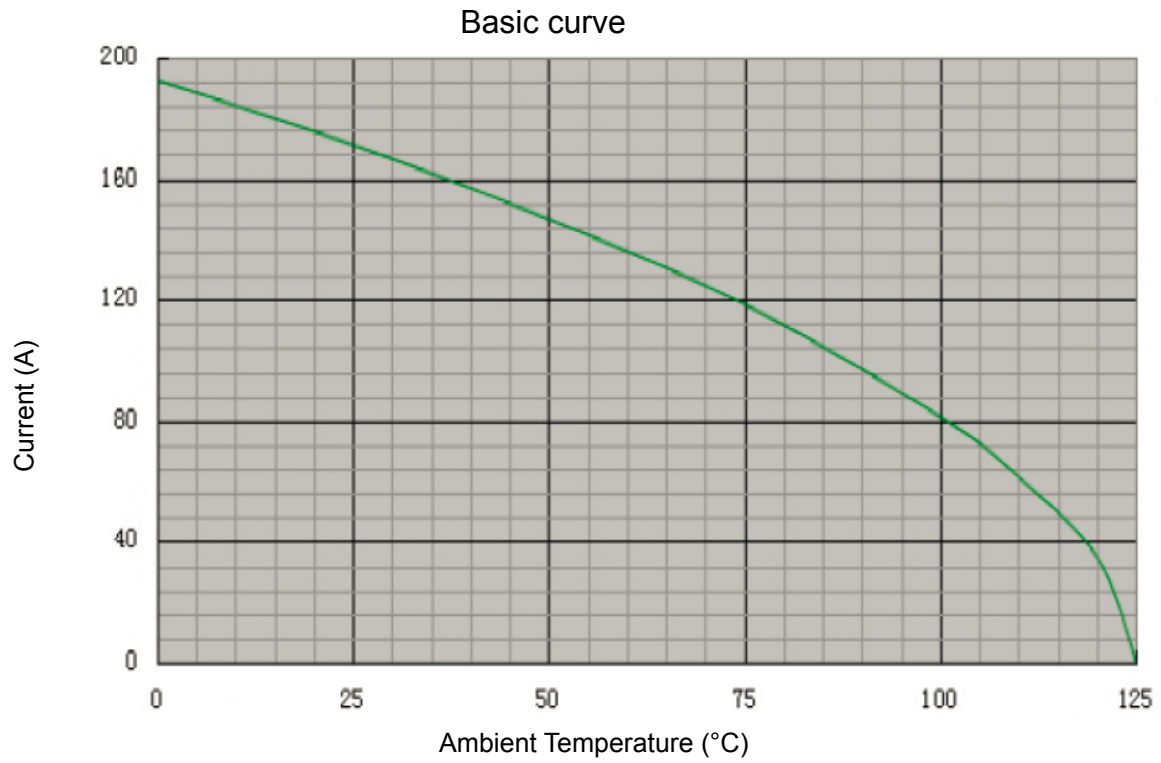


PART NUMBER

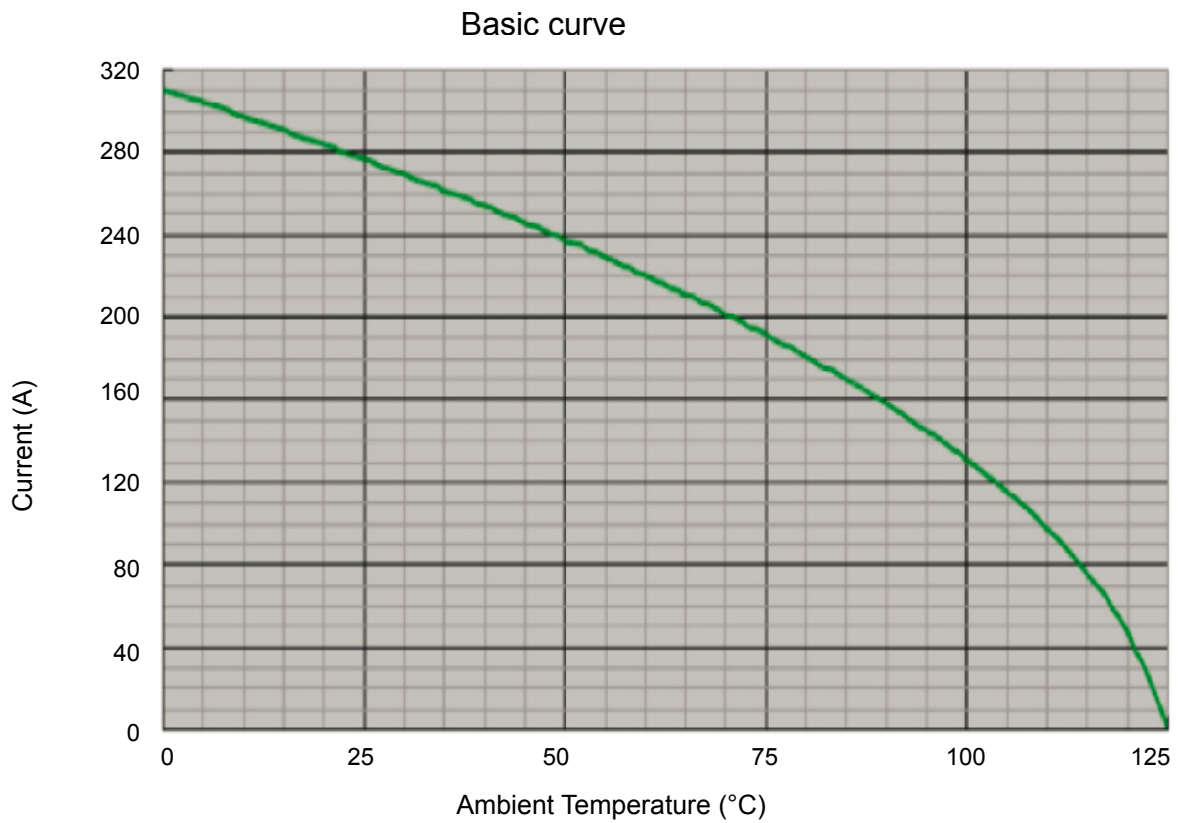
Contact type for connector	Contact size	Part number		Rated Current	For cable section	Extraction tool
		Pin	Socket			
Signal: HVG402/403/492	1.0mm	HVG20M1	HVG20F1	7.5A max	0.5 to 1.0 mm ²	HV-TOOL-10R
Signal: HVG404/406	1.6mm	ASRC16PC001AU	ASRC16SC001AU	13A max	0.75 to 1.5 mm ²	ASGTC-R-16S
Power: HVS, HVG402/403/404/406	3.0mm	HVG30M2	HVG30F2 / HVG30FS2	23A max	2.5 mm ²	HV-TOOL-30R
Power: HVS HVG402/403/404/406	3.0mm	HVG30M4	HVG30F4 / HVG30FS4	40A max	4.0 mm ²	HV-TOOL-30R
Power: HVG492	3.6mm	HVG30M6	HVG30F6	50A max	6.0 mm ²	HV-TOOL-36R
		HVG30M10	HVG30F10		10.0 mm ²	
Signal: EX SERIES	1.6mm	EX16M1	EX16F1	7.5A max	0.75 to 1.5 mm ²	ASGTC-R-16S
	3.0mm	EX30M4	-	32A max	2.5 to 4.0 mm ²	HV-TOOL-30R
	3.0mm	EX30M6	-	40A max	6.0 mm ²	HV-TOOL-30R
Power: EX SERIES	3.0mm	-	EX30F4	32A max	2.5 to 4.0 mm ²	EX-TOOL-30R
	3.0mm	-	EX30F6	40A max	6.0 mm ²	EX-TOOL-30R

TEMPERATURE RISE CURVE

HVBI R6 (25mm²)

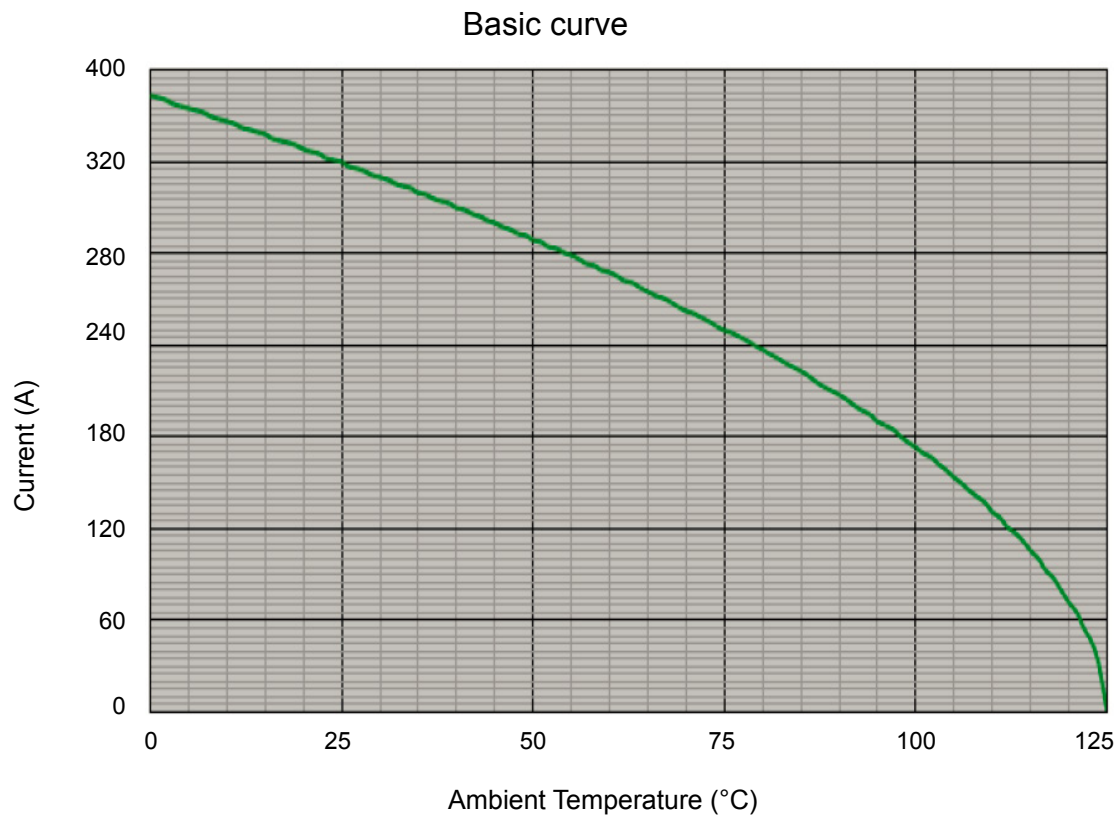


HVBI R8 (50mm²)



TEMPERATURE RISE CURVE

HVBI R10 (70mm²)



Amphenol PCD Shenzhen

Building C
Dagang Industrial Zone
Guangming District
Shenzhen 518132
China

Tel.: +86 755-8173-8000

Email: inquiry@amphenolpcd.com.cn

www.amphenolpcd.com.cn

Notes:

Amphenol PCD Shenzhen has made every effort to ensure that the information contained in this catalog is accurate at the time of publication. Specifications or information stated in this publication are subject to change without notice.

Amphenol PCD Shenzhen reserves the right to clarify this catalog.