



AMPHENOL PCD SHENZHEN



EXCEL | MATE CC

Electric car charging coupler

www.amphenolpcd.com.cn

INDUSTRIAL@AMPHENOL
TRUSTED GLOBALLY

CONTENT

PRODUCT INTRODUCTION	2
SPECIFICATIONS	3
CHARGING MODES CLASSIFICATION	4
INSERT ARRANGEMENT	5
CIRCUIT DIAGRAM: VEHICLE SIDE	6
CIRCUIT DIAGRAM: CHARGING STAKE SIDE	7
AC COUPLER DIMENSIONS	8
PANEL MOUNTING DIMENSIONS	9
INSERT ARRANGEMENT (DC)	10
DC CIRCUIT DIAGRAM	11
80A DC COUPLER DIMENSIONS	12
125A TO 250A DC COUPLER DIMENSIONS	13
PRODUCT SERIES SUMMARY	14
HOW TO ORDER	15
PART NUMBERS	16
VEHICLE INLET - 90° RIGHT-ANGLE	17
DC VEHICLE INLET (SMALL SIZE) - FRONT MOUNTED	18

PRODUCT INTRODUCTION



- Amphenol PCD Shenzhen charging couplers are all compliant with GB/T 20234.1/2/3-2015 standards.
- User-friendly, easy to unmate, IP 55 (mated).
- High current contacts with Amphenol Radsok Technology.





MECHANICAL		
Mating cycles	≥ 10000 cycles	
Connector (in mated condition) retention force:		
AC coupler	Unmating	100N Max
	Mating	200N Min
DC coupler	Unmating	140N Max
	Mating	200N Min
ELECTRICAL		
	AC (R6)	DC (R12)
Rated current	63A Max	250A Max
Rated voltage	250V/440V AC	750V/1000V DC
Contact resistance	0.5mΩ Max	0.2mΩ Max
Insulation resistance	>100MΩ (DC500V)	>100MΩ (DC500V)
ENVIRONMENTAL		
Protection degree	IP55 (mated)	
Ambient temperature	-30°C to 50°C	
MATERIAL		
Shell	Thermoplastic	
Contact	Copper alloy, silver or nickel plating	
Insert	Thermoplastic	
Sealing gasket	Rubber or silicon rubber	
Insulator inflammability	UL94V0	

CHARGING MODES CLASSIFICATION

CHARGING MODE 2:

When connecting electric vehicle to AC network, the plug and socket-outlet at power supply side shall comply with requirements of GB 2099.1. Phase line, neutral line and protective earth conductor shall be used at power supply side and the residual current operated circuit breaker shall be used at power supply side.

CHARGING MODE 3:

When connecting electric vehicle to AC network, the plug and socket-outlet at power supply side shall comply with requirements of GB 2099.1. Phase line, neutral line and protective earth conductor shall be used at power supply side and in-cable control box is installed in the charging connection cable.

CHARGING MODE 4:

When connecting electric vehicle to AC network, use special power supply equipment. Directly connect the electric vehicle with AC network and install control guide device on the special power supply equipment.

RATED CURRENT AND VOLTAGE FOR DIFFERENT CHARGING MODES

Charging Mode	Couple Type	Rated Voltage	Rated Current
2	AC coupler	250V AC	16A
3	AC coupler	250V/440V AC	32A
4	DC coupler	750V/1000V DC	80A
	DC coupler	750V/1000V DC	125A
	DC coupler	750V/1000V DC	250A

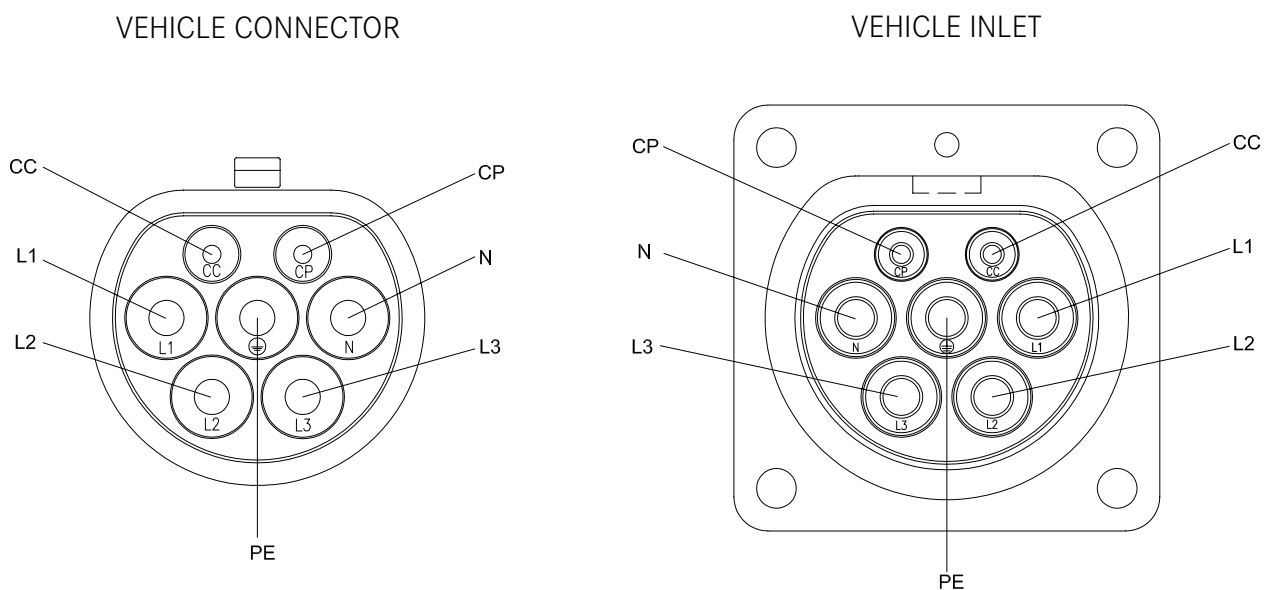
Remarks:

All types of charging modes should be connected with residual current operated circuit-breakers and overflow protective device. Residual current operated circuit-breakers should be compliant with GB/T 16916.1 or GB/T 16917.1 requirements.

INSERT ARRANGEMENT

AC Coupler insert arrangement

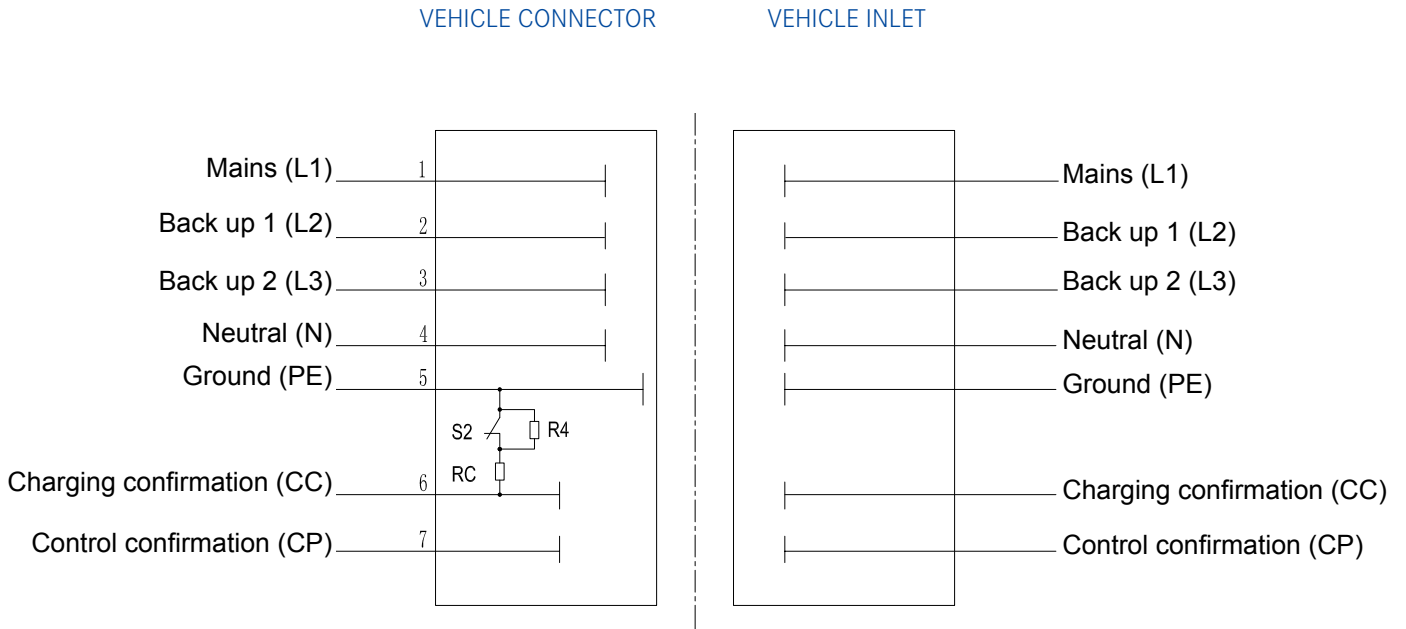
National standard



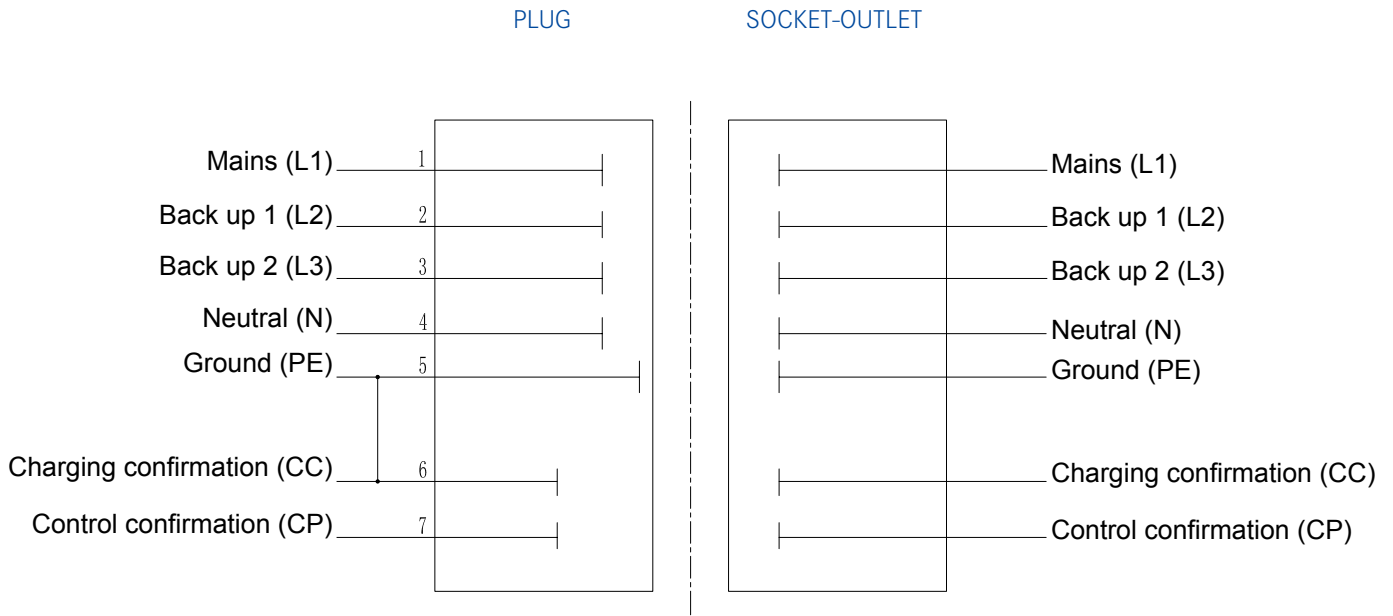
CONFIGURATION

Contacts Number & Function	Rated Voltage & Current	Function
L1	250V/440V 16/32A	AC power
N	250V/440V 16/32A	Neutral
⊕	-	PE, connect charging stake and vehicle chassis ground
CC	30V 2A	Charging confirmation
CP	30V 2A	Control confirmation
L2	-	Back up contact
L3	-	Back up contact

CIRCUIT DIAGRAM: VEHICLE SIDE

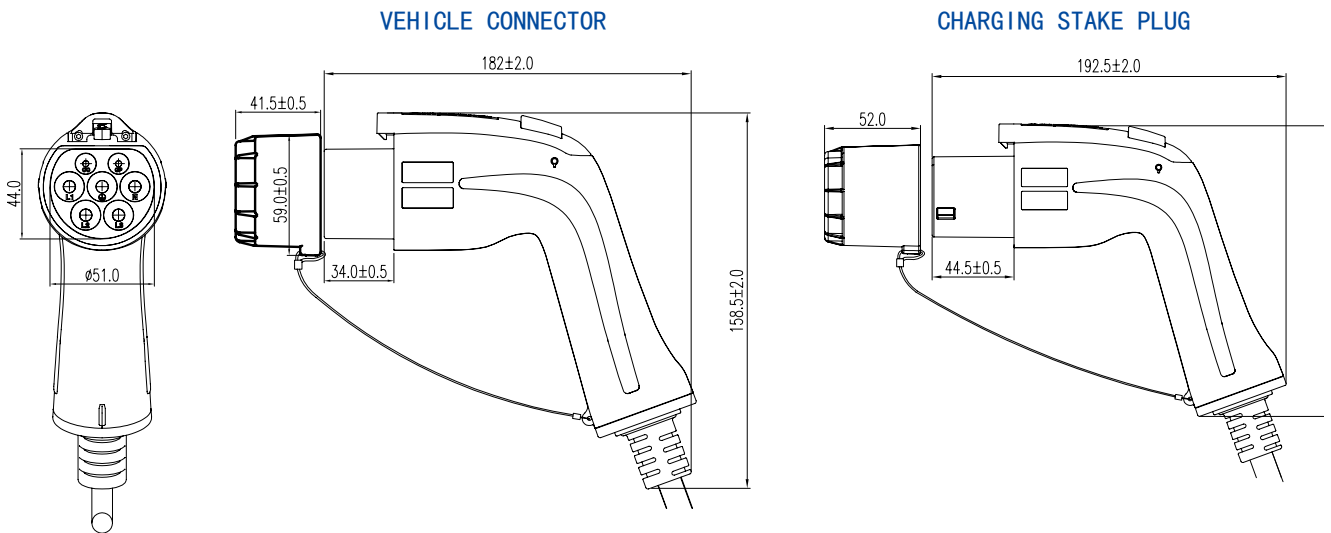


CIRCUIT DIAGRAM: CHARGING STAKE SIDE

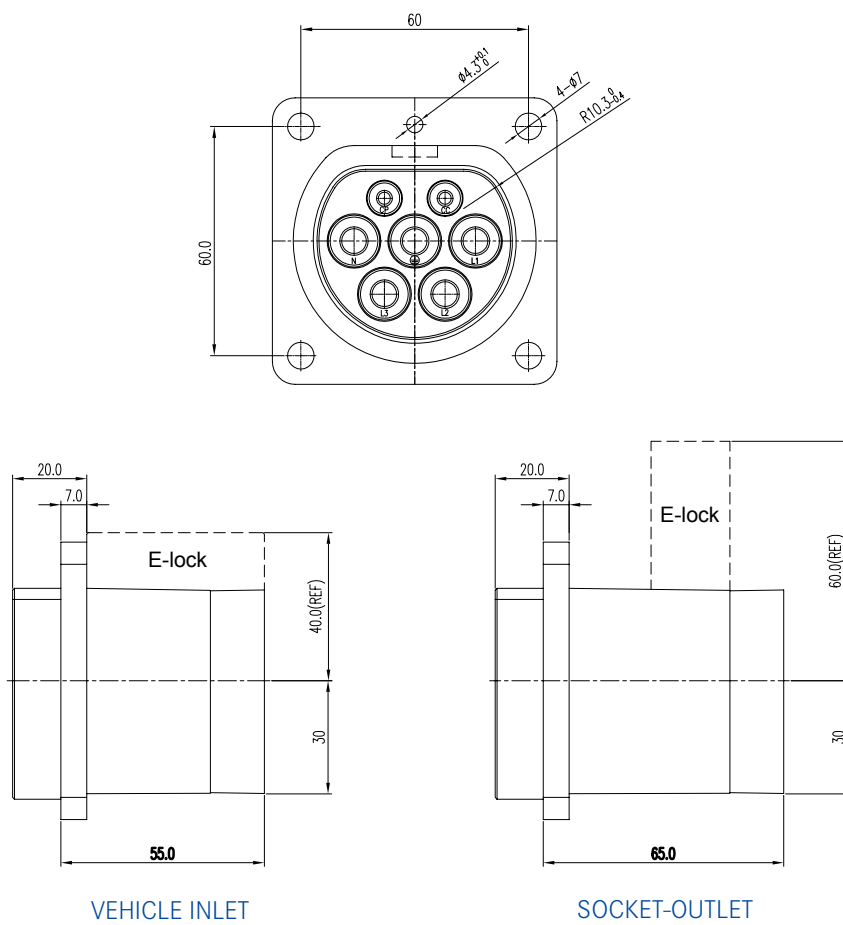


AC COUPLER DIMENSIONS

PLUG



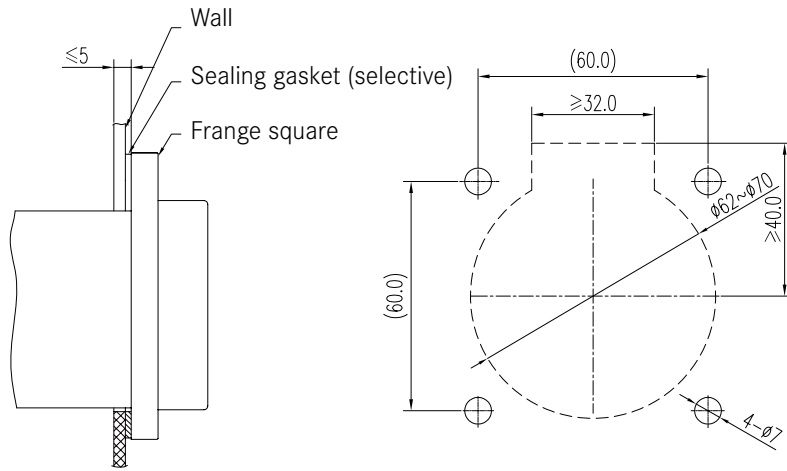
SOCKET



MOUNTING INSTRUCTIONS

VEHICLE INLET

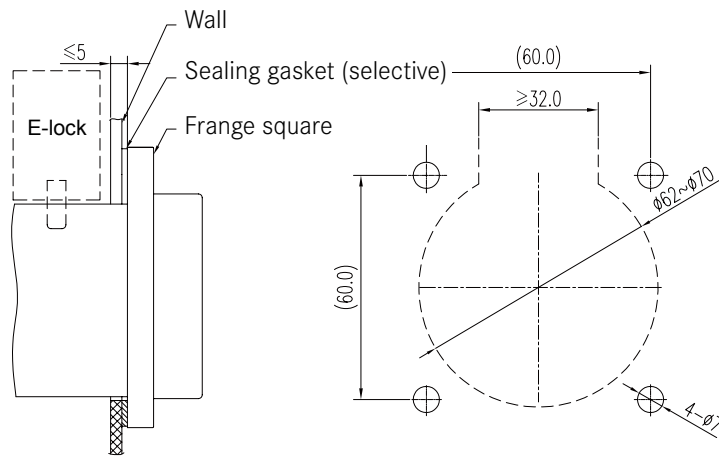
MOUNTING INSTRUCTION



Panel installation guide

SOCKET-OUTLET

MOUNTING INSTRUCTION

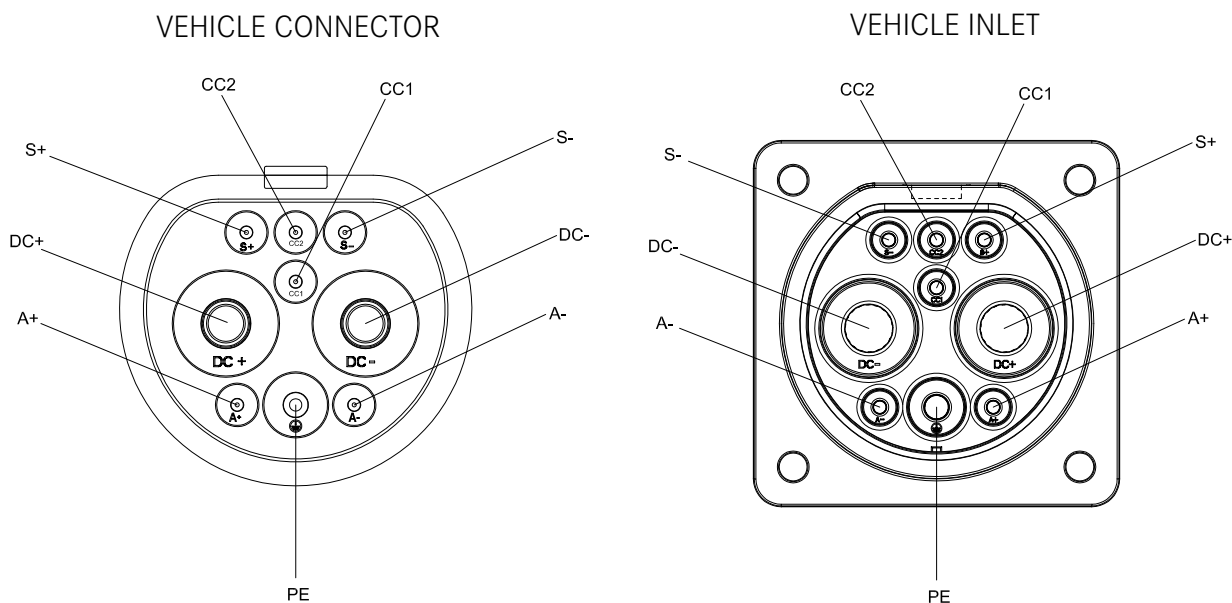


Panel installation guide

INSERT ARRANGEMENT

DC Coupler inserts arrangement

National standard



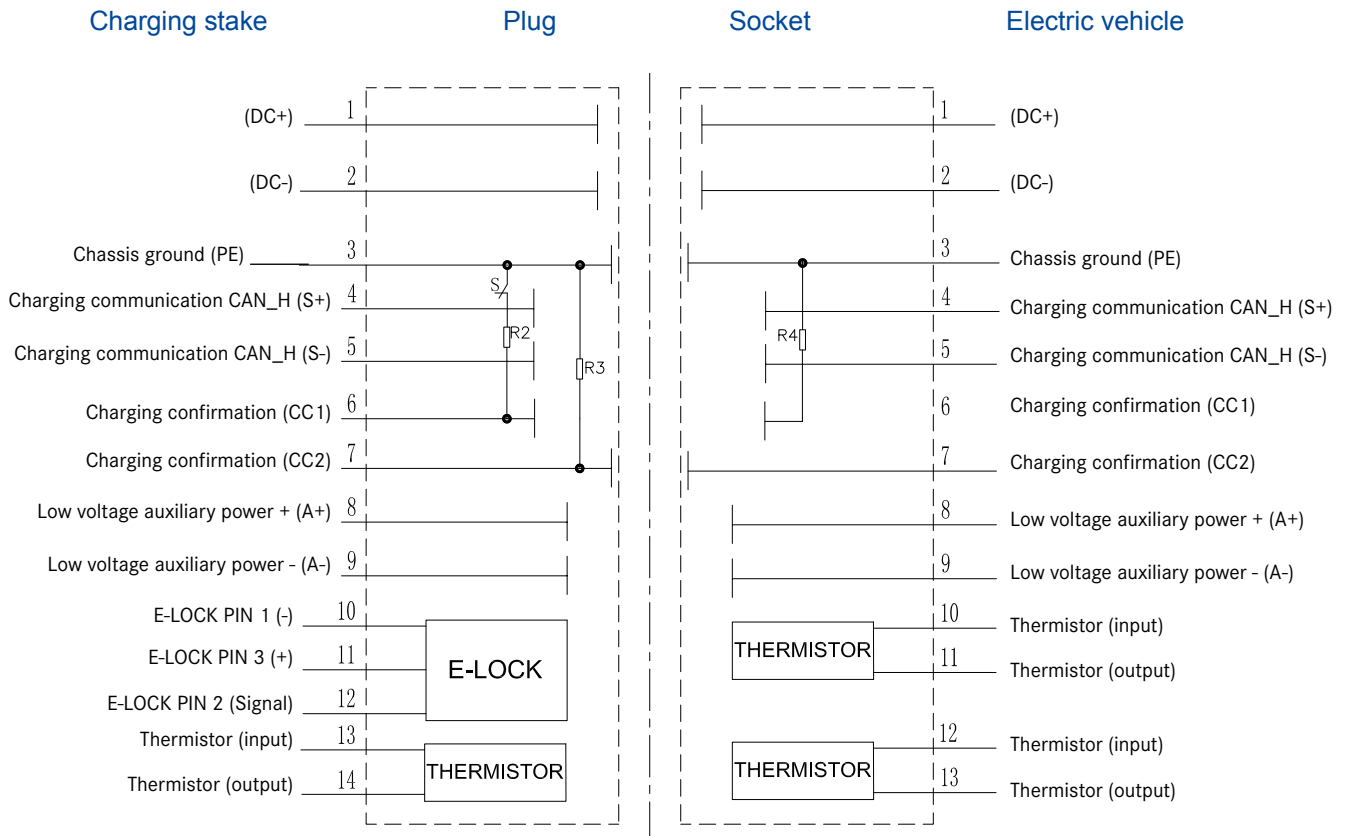
CONFIGURATION

Contacts Number & Function	Rated Voltage & Current	Function
DC+	750V/1000V 125/250A	DC+, connect DC+ and battery+
DC -	750V/1000V 125/250A	DC -, connect DC- and battery -
⊕	-	PE, connect power supply equipment and vehicle chassis ground
S+	30V 2A	Charging communication CAN_H, connect charging stake and vehicle's communication
S-	30V 2A	Charging communication CAN_L, connect charging stake and vehicle's communication
CC1	-	Charging confirmation 1
CC2	-	Charging confirmation 2
A+	30V 20A	Low voltage auxiliary power+, charging stake supply low voltage auxiliary power+ to electric vehicle
A -	30V 20A	Low voltage auxiliary power-, charging stake supply low voltage auxiliary power- to electric vehicle

Remarks:

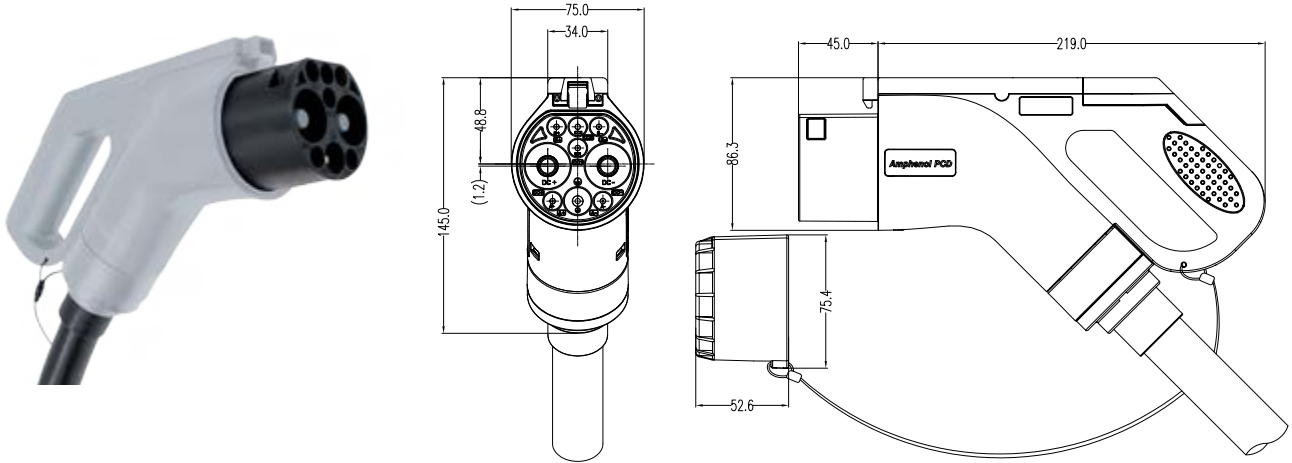
Charging stake and vehicle control device should mount CAN fieldbus termination resistor, 120Ω recommended. Communication wire should use shielded twist wire, charging stake end with shielded ground.

DC CIRCUIT DIAGRAM

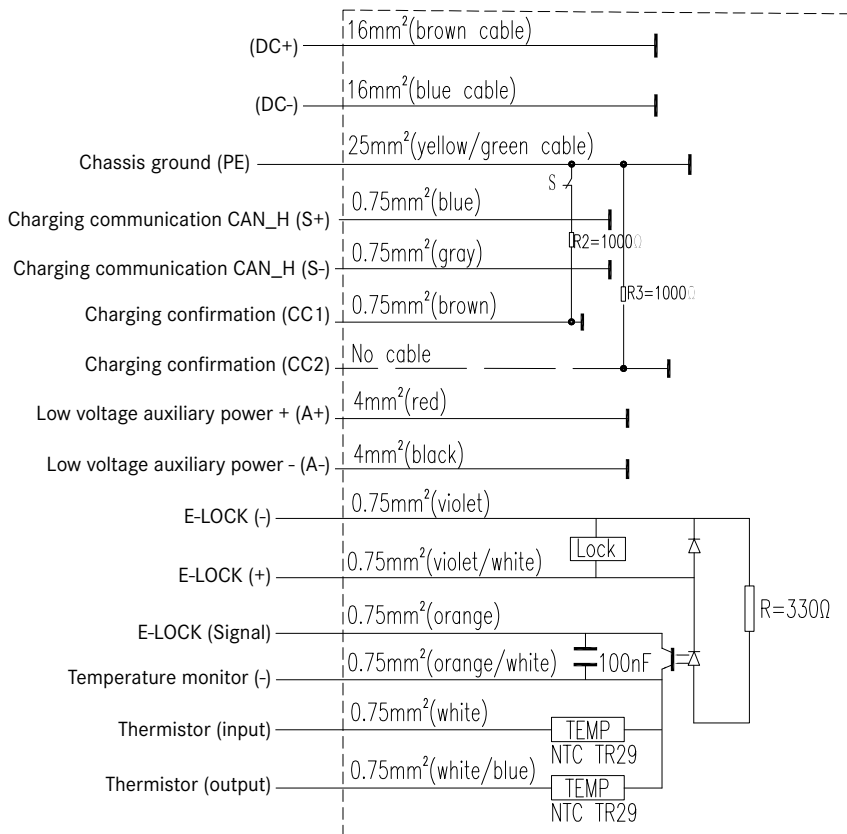


80A DC COUPLER DIMENSIONS

VEHICLE CONNECTOR

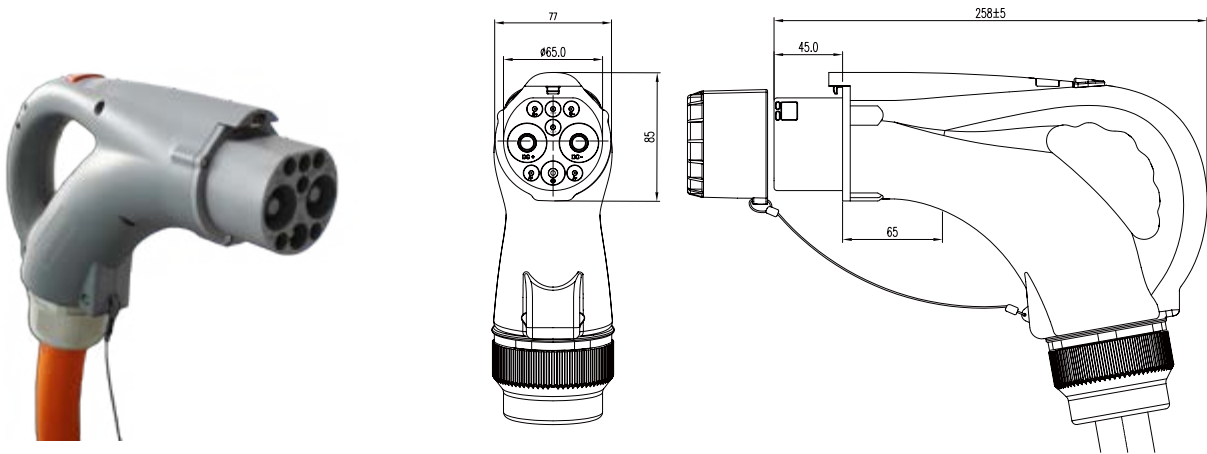


DC CIRCUIT DIAGRAM

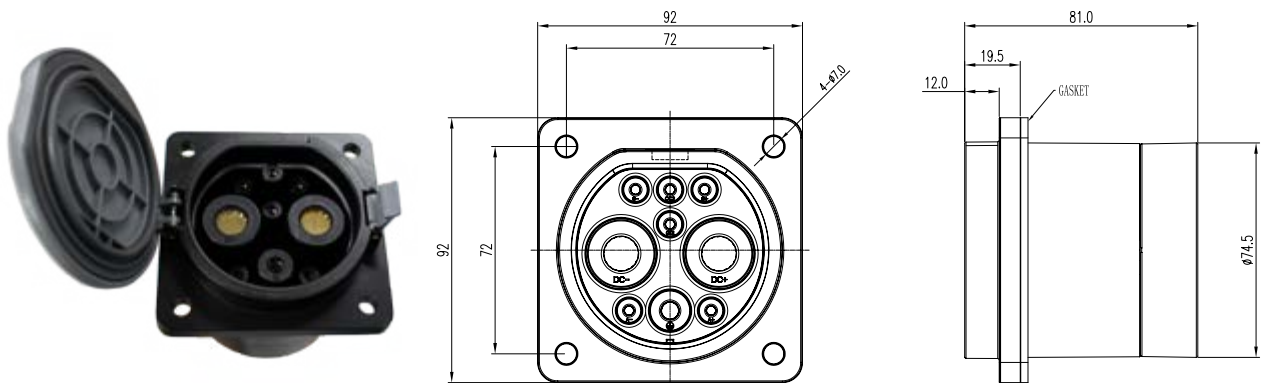


125A TO 250A DC COUPLER DIMENSIONS

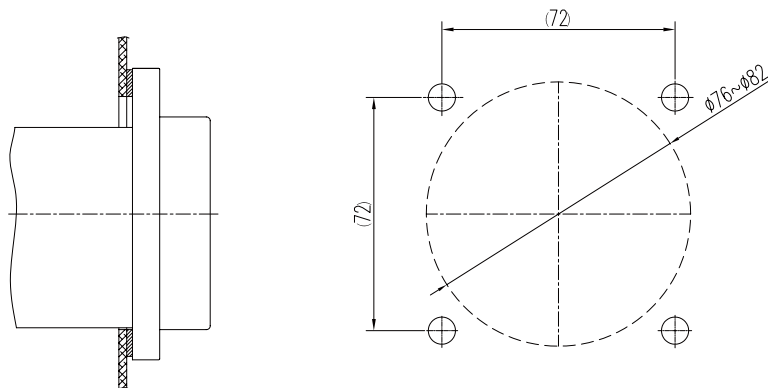
VEHICLE CONNECTOR



VEHICLE INLET



MOUNTING INSTRUCTION



PRODUCT SERIES SUMMARY

CHARGING MODE 2	CHARGING MODE 3
CHARGING CIRCUIT INTERRUPTING DEVICE (CCID)	VEHICLE CONNECTOR + PLUG
	
CHARGING MODE 4 (80A)	CHARGING MODE 2 & 3
VEHICLE CONNECTOR	VEHICLE INLET
	
CHARGING MODE 4 (125A TO 250A)	
VEHICLE CONNECTOR	VEHICLE INLET
	

HOW TO ORDER

	HVCO	M	E	L	B	T	S	R6	PSXXX	R	W	LXXXX	XXXX
Connector type: M: Plug F: Receptacle													
E: Electric switch Used for: - AC vehicle connector - and DC plug Omit: No electric switch needed													
L: Electronic lock (Only for DC plug)													
B: New national standard (2015)													
T: Thermistor (for rated current over 16A) Omit: No thermistor needed													
S: Charging stake side SC: Vehicle connector + plug (charging mode 3) Omit: Vehicle side													
Contact size: R6: 6mm Radsok contact R12: 12mm Radsok contact													
Insert arrangement: PSXXX: Plug slow charging coupler PFXXX: Plug fast charging coupler SSXXX: Socket slow charging coupler SFXXX: Socket fast charging coupler													
R: Extra resistor Omit: No extra resistor needed													
W: Wave tube Omit: No wave tube needed													
Cable length : LXXXX: (Unit in mm). Omit: No cable needed													
Cable accessories: XXXX: Cable accessories													

PART NUMBER

AC COUPLER

AC VEHICLE CONNECTOR TYPES										
P/N	Cable quantity	Charging mode	Cable section (mm ²)	L	CN1	CN2	PE	N	CC	CP
PS502R	4	charging mode 2, rated current 16A	2.5	2.5	N/A	N/A	2.5	2.5	R	0.75
PF506R	4	charging mode 3, rated current 32A	6	6	N/A	N/A	6	6	R	0.75

AC VEHICLE INLET TYPES										
P/N	Cable quantity	Charging mode	Cable section (mm ²)	L	CN1	CN2	PE	N	CC	CP
SS502	5	charging mode 2, rated current 16A	2.5	2.5	N/A	N/A	2.5	2.5	0.75	0.75
SF506	5	charging mode 3, rated current 32A	6	6	N/A	N/A	6	6	0.75	0.75

DC COUPLER

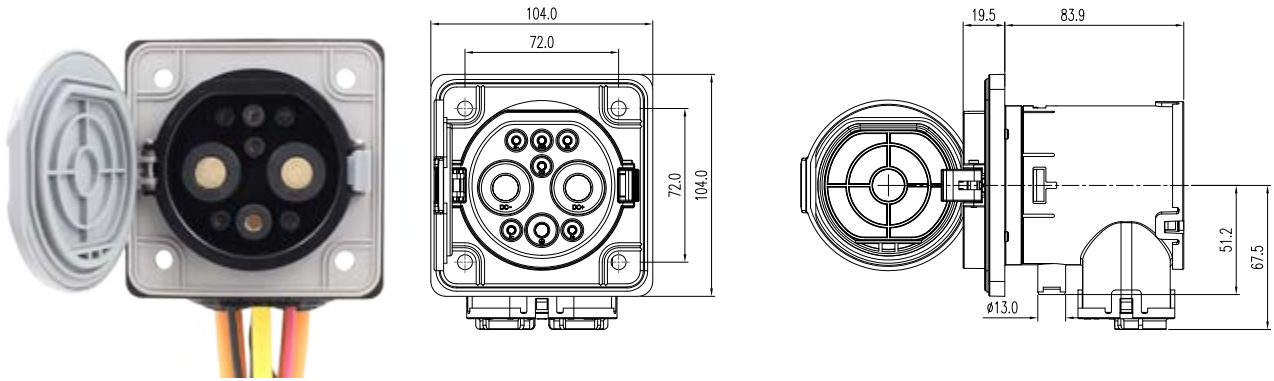
DC VEHICLE CONNECTOR TYPES												
P/N	Cable quantity	Charging mode	Cable section (mm ²)	DC+	DC-	PE	S+	S-	CC1	CC2	A+	A-
PF916	9	charging mode 4 rated current 80A	16	16	16	25	0.75	0.75	0.75	Shunt	4	4
PF935	9	charging mode 4, rated current 125A	35	35	35	25	0.75	0.75	0.75	Shunt	4	4
PF970	9	charging mode 4, rated current 250A	70	70	70	25	0.75	0.75	0.75	Shunt	4	4

DC VEHICLE INLET TYPES												
P/N	Cable quantity	Charging mode	Cable section (mm ²)	DC+	DC-	PE	S+	S-	CC1	CC2	A+	A-
SF916	9	charging mode 4, rated current 80A (not recommended)	16	16	16	16	0.75	0.75	0.75	0.75	4	4
SF935	9	charging mode 4, rated current 125A	35	35	35	16	0.75	0.75	0.75	0.75	4	4
PF970	9	charging mode 4, rated current 250A	70	70	70	25	0.75	0.75	0.75	0.75	4	4

Remarks:

1. Cable section & pin installations are compliant with the national standards. Please contact us if any alternative installation is desired.
2. Cable assembly is recommended to be done by Amphenol PCD Shenzhen, for professional and safety reasons. For any special request, please contact us.
3. The part numbers shown in this form are only for reference. Please refer to the specific customer drawing for actual part numbers.

VEHICLE INLET - 90° RIGHT-ANGLE

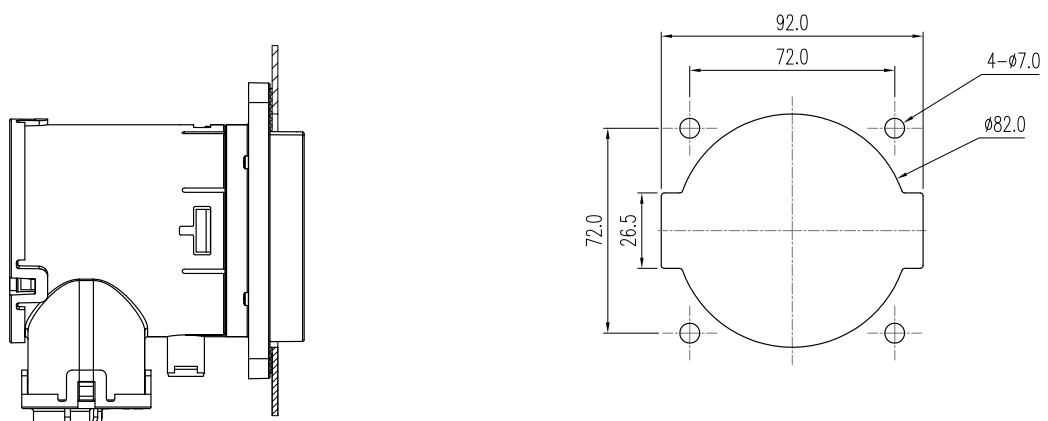


P/N:

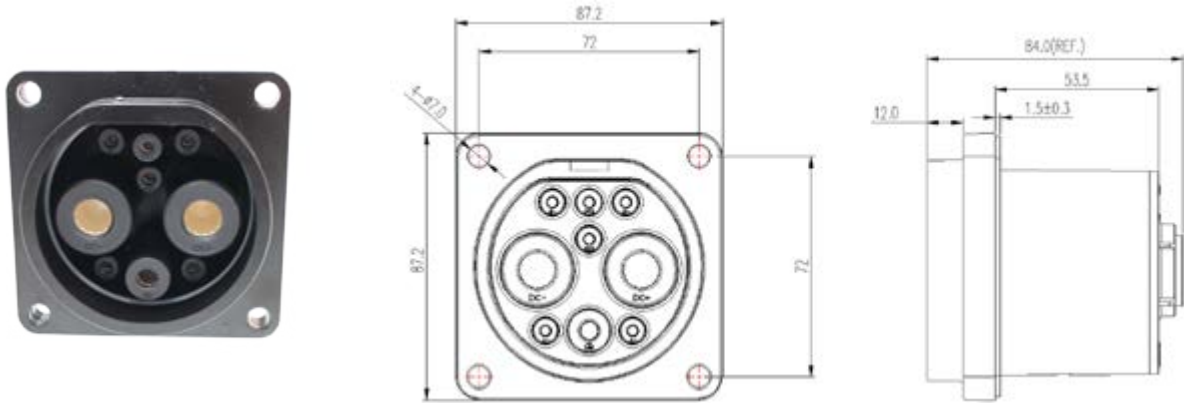
HVCO02R12SF935RDL0000, 125A, 1000V DC Max

HVCO02R12SF970RDL0000, 200A, 1000V DC Max

FRONT MOUNTED INSTALLATION INSTRUCTIONS: VEHICLE INLET



DC VEHICLE INLET (SMALL SIZE) - FRONT MOUNTED

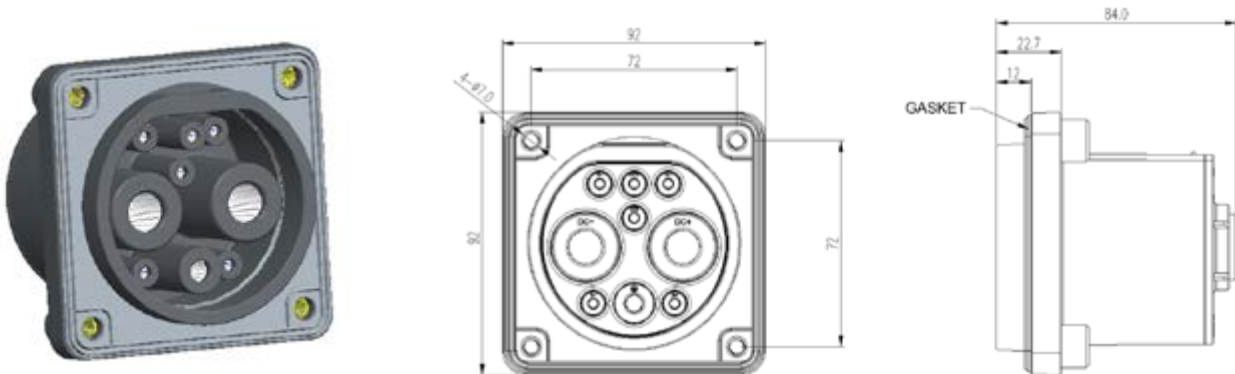


P/N:

HVCO01R12SF935RL0000, 125A, 1000V DC Max

HVCO01R12SF970RL0000, 250A, 1000V DC Max

REAR MOUNTED INTALLATION INSTRUCTIONS: DC VEHICLE INLET (SMALL SIZE)



P/N:

HVCO02R12SF935RL0000, 125A, 1000V DC Max

HVCO02R12SF970RL0000, 250A, 1000V DC Max

Amphenol PCD Shenzhen

Building 21
1st Liao Keng Industrial Zone
Shi Yan Street, Bao An District Shenzhen 518108
China

Tel.: +86 755-8173-8000
Fax: +86 755-8173-8180
Email: inquiry@amphenolpcd.com.cn

www.amphenolpcd.com.cn

Notes:

Amphenol PCD Shenzhen has made every effort to ensure that the information contained in this catalog is accurate at the time of publication. Specifications or information stated in this publication are subject to change without notice.

Amphenol PCD Shenzhen reserves the right to clarify this catalog.