



AMPHENOL PCD SHENZHEN



EXCEL | MATE

High Voltage Safety Lock

www.amphenolpcd.com.cn

INDUSTRIAL@AMPHENOL
TRUSTED GLOBALLY

EXCEL MATE PRODUCT INTRODUCTION	2	HVSL63A	57
EXCEL MATE Max (HVSL1200)	3	RECEPTACLE	58
2 PIN RECEPTACLE BOX MOUNTED	4	PLUG	60
2 PIN PLUG	6	HOW TO ORDER: HVSL630	61
2 PIN PLUG RIGHT ANGLE	7	CHARTS: HVSL630	62
HOW TO ORDER: HVSL1200	8	HVSL633	63
CHARTS: HVSL1200	9	RECEPTACLES	64
EXCEL MATE Plus (HVSL1000)	10	PLUG	68
1 PIN RECEPTACLE	11	HOW TO ORDER: HVSL633	69
1 PIN PLUG	13	CHARTS: HVSL633	70
1 PIN RECEPTACLE WITHOUT INTERLOCK	14	HVSL28A	71
1 PIN PLUG RIGHT ANGLE	15	RECEPTACLE	72
2 PIN RECEPTACLE BOX MOUNTED	16	PLUG	74
2 PIN PLUG	18	HOW TO ORDER: HVSL280	75
2 PIN PLUG RIGHT ANGLE	19	CHARTS: HVSL280	76
3 PIN RECEPTACLE BOX MOUNTED	20	HVSL282	77
3 PIN PLUG	21	RECEPTACLES	78
3 PIN PLUG RIGHT ANGLE	22	PLUG	87
ATTACHMENT	23	HOW TO ORDER: HVSL282 (plug)	88
PRODUCT SERIES OVERVIEW	25	HOW TO ORDER: HVSL282 (receptacles)	89
HOW TO ORDER: HVSL1000	26	CHARTS: HVSL282	90
CHARTS: HVSL1000	27	HVSL362	91
EXCEL MATE S (HVSL800)	28	RECEPTACLE	92
2 PIN RECEPTACLE	29	PLUG	94
2 PIN STRAIGHT PLUG	30	HOW TO ORDER: HVSL362	95
2 PIN RIGHT ANGLE PLUG	31	CHARTS: HVSL362	96
3 PIN RECEPTACLE	32	HVSL364	97
3 PIN STRAIGHT PLUG	33	RECEPTACLE	98
3 PIN RIGHT ANGLE PLUG	34	PLUG	101
HOW TO ORDER: HVSL800	35	HOW TO ORDER: HVSL364	102
CHARTS: HVSL800	36	HVSL365	103
EXCEL MATE Metal (HVSL600)	37	RECEPTACLE	104
2 PIN RECEPTACLE	38	PLUG	106
2 PIN STRAIGHT PLUG	39	HOW TO ORDER: HVSL365	107
2 PIN RIGHT ANGLE PLUG	40	HVSL366	108
3 PIN RECEPTACLE	41	RECEPTACLE	109
3 PIN STRAIGHT PLUG	42	PLUG	111
3 PIN RIGHT ANGLE PLUG	43	HOW TO ORDER: HVSL366	112
HOW TO ORDER: HVSL600	44	EXCEL MATE PT	113
CHARTS: HVSL600	45	1 POSITION	114
EXCEL MATE Metal (HVSL800)	46	2 POSITION	117
RECEPTACLE	47	3 POSITION	119
STRAIGHT PLUG	48	HVPT B	121
RIGHT ANGLE PLUG	49	2 POSITION	122
HOW TO ORDER: HVSL800	50	3 POSITION	123
EXCEL MATE Eco (HVSL600/630/633/280/282/364)		HVPT B 2A	124
HVSL60A	51	HVPC	125
RECEPTACLE	52	HVPC 800	128
PLUG	54		
HOW TO ORDER: HVSL600	55		
CHARTS: HVSL600	56		

PRODUCT INTRODUCTION



When high-performance and increased safety are required in HEV, Amphenol PCD's **EXCEL | MATE** connectors fulfill the challenge.

HVSL Series is designed to meet AK standards for various HEV applications, including power and signal interconnect solutions. Different versions are available, from 1 position to 6 positions and a rated current from 23A to 350A.

Product	HVSL 1200	HVSL 1000	HVSL 800	HVSL 800	HVSL 600	HVSL 60A	HVSL 63A	HVSL 633	HVSL 28A	HVSL 282	HVSL 362	HVSL 364	HVSL 365	HVSL 366
Position	2	1, 2, 3	2, 3	2	2, 3	1	2	3	3	2	2	4	5	6
Rated Voltage	1000V	1000V	1000V	1000V	1000V	1000V	1000V	1000V	1000V	1000V	1000V	1000V	1000V	1000V
Rated Current	350A	250A	180A	180A	120A	120A	40A	40A	32A	32A	95A	46A	40A	40A
HVIL	√	√	√	√	√	√	√	√	√	√	√	√	√	√
Shielding	√	√	√	√	√	√	√	√	√	√	√	√	√	√
Shell	Plastic	Plastic	Plastic	Metal	Metal	Plastic	Plastic	Plastic	Plastic	Plastic	Plastic	Plastic	Plastic	Plastic
IP67,IP6K9K	√	√	√	√	√	√	√	√	√	√	√	√	√	√
Touch-Proof IP2XB	√	√	√	√	√	√	√	√	√	√	√	√	√	√
Cable size mm ²	70 to 95	25 to 70	25 to 50	25 to 50	16 to 25	25	4 to 6	2.5 to 6	2.5 to 4	2.5 to 4	6 to 16	2.5 to 6	2.5 to 6	2.5 to 6
Cable type shielded wire	I	I	I	I	I	I	M	I	M	I	I	I	I	I

Cable type shielded wire
I: Individually / **M:** Multicore

EXCEL | MATE (HVSL1200)



High Voltage Safety Lock

HVSL1200, which is the latest generation of the EXCEL | MATE series, has been specially designed for use in HEV applications.

The RADSOK® Technology R4 version 12mm and an interlock solution ensure a safe and reliable

KEY FEATURES

With interlock solution

RADSOK® Technology R4 version 12mm

Shielding performance: EMI/RFI

Sealing, IP67 (mated), IP6K9K

Touch-proof, IP2XB

Multiple coding positions

APPLICATIONS

HEV Battery

Inverters

Junction boxes

Power distribution boxes

MECHANICAL

Durability ≥ 50 mating cycles

Wire range 70mm² to 95mm²

ELECTRICAL

Rated voltage 1000V DC

Rated current 350A Max @ ambient temperature 70°C

Insulator resistance > 100MΩ

Dielectric withstand voltage 3000V AC

ENVIRONMENTAL

Sealing IP67, IP6K9K (mated)

Touch-proof IP2XB

Temperature range -40°C to 125°C

STANDARDS

USCAR-2

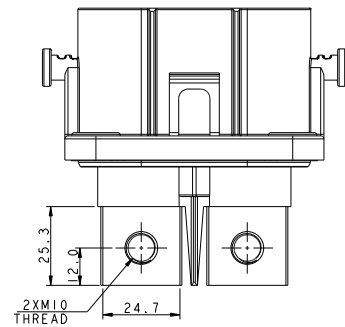
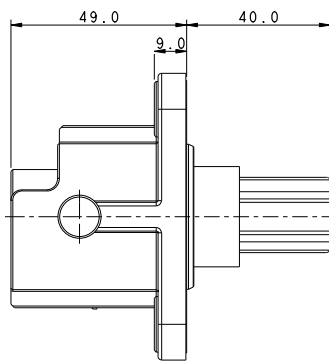
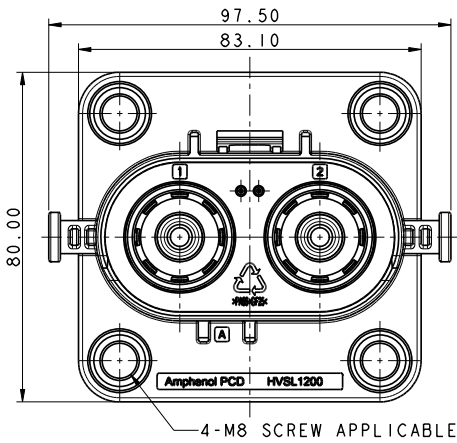
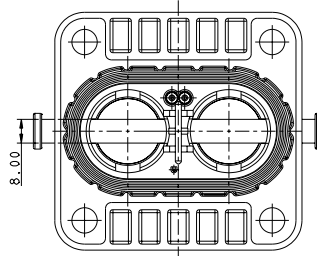
USCAR-37

LV-215

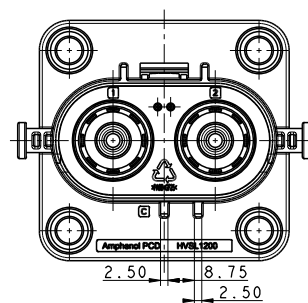
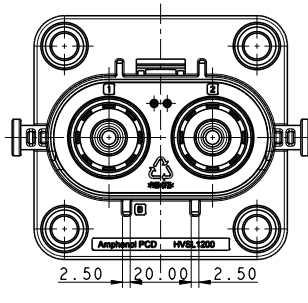
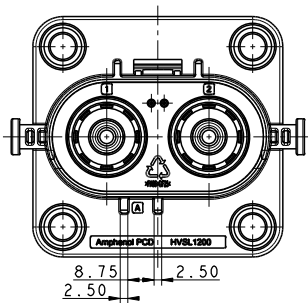
RoHS

Excel|Mate Max (HVSL 1200)

2 PIN RECEPTACLE BOX MOUNTED



INSERT ORIENTATIONS

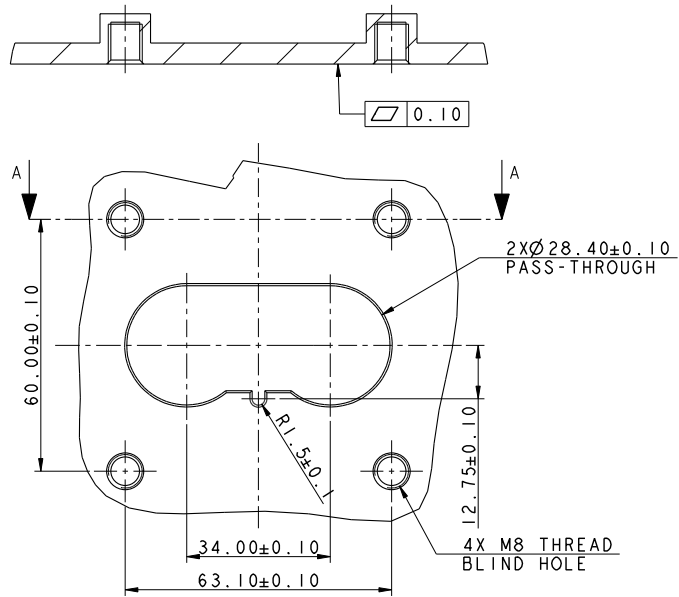


Coding A
P/N HVSL1200 02 2 A

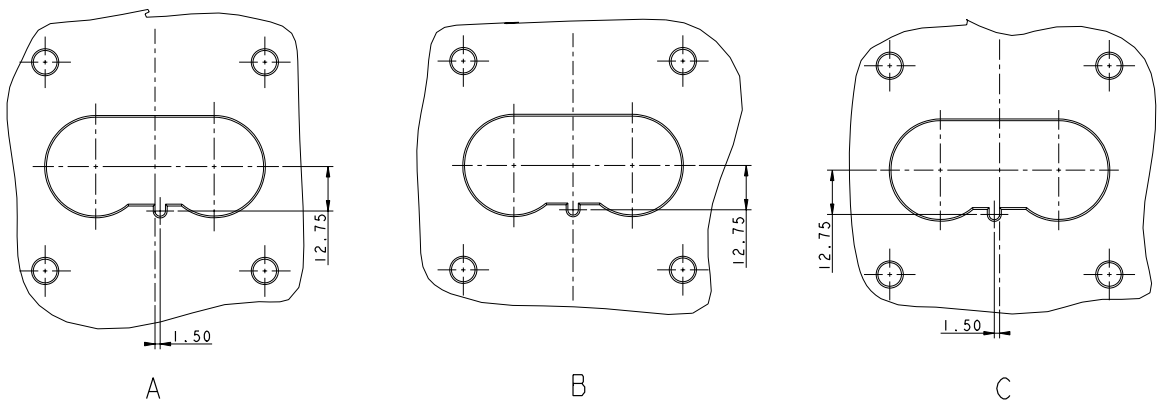
Coding B
P/N HVSL1200 02 2 B

Coding C
P/N HVSL1200 02 2 C

PANEL MOUNTING DIMENSIONS

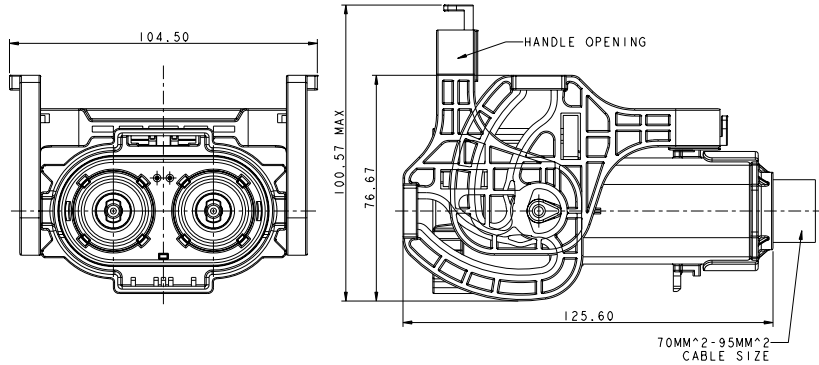


MOUNTING PANEL LAYOUT
RECOMMENDED THICKNESS 3MM MIN.

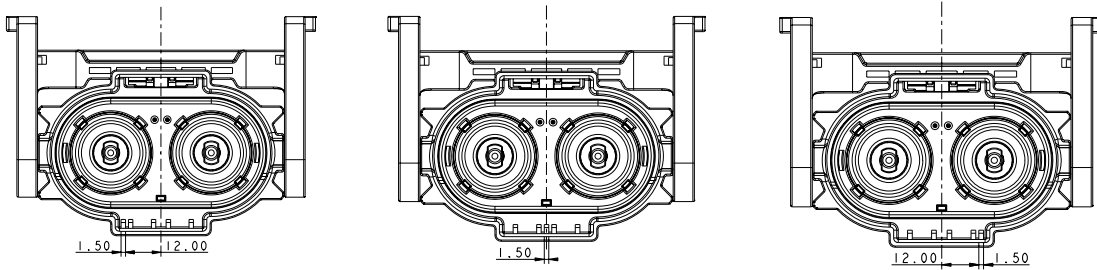


ExcelMate Max (HVSL 1200)

2 PIN PLUG

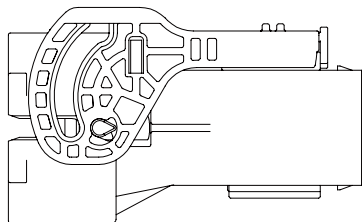


INSERT ORIENTATIONS

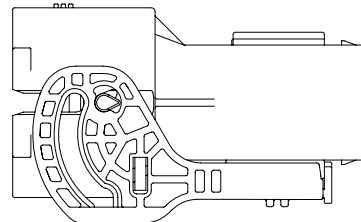


	Coding A	Coding B	Coding C
P/N	HVSL1200 06 2 A	HVSL1200 06 2 B	HVSL1200 06 2 C

LEVER POSITION

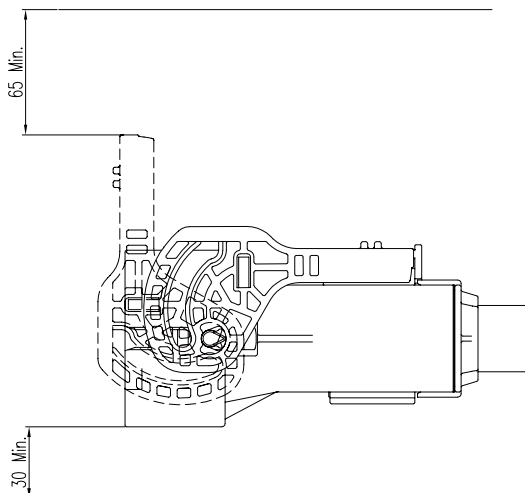


STANDARD LEVER

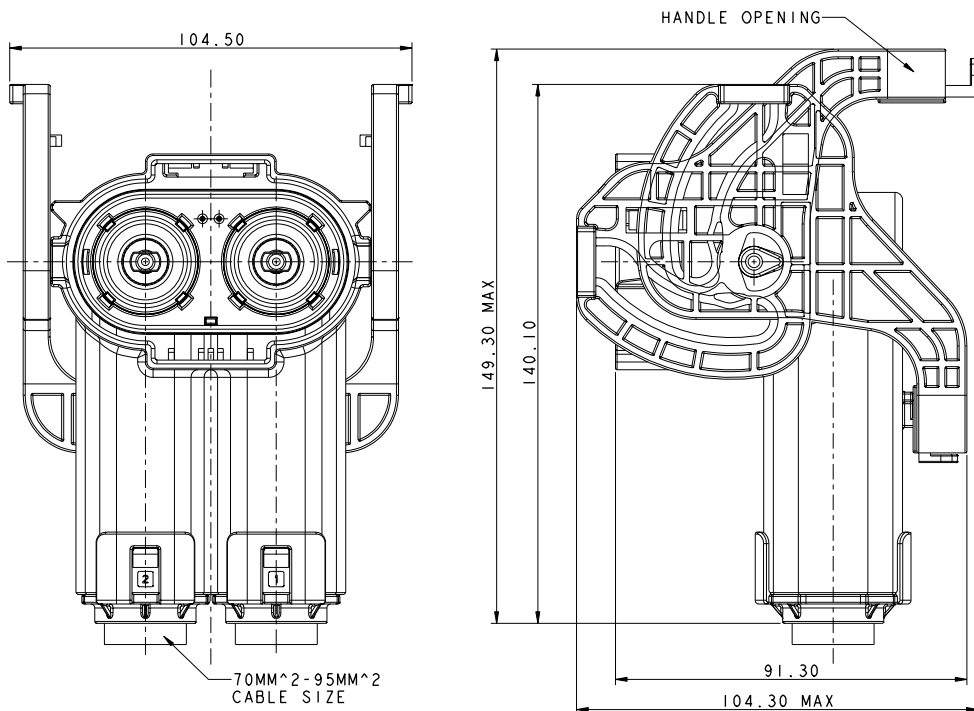


REVERSE LEVER

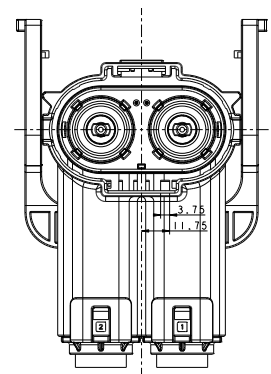
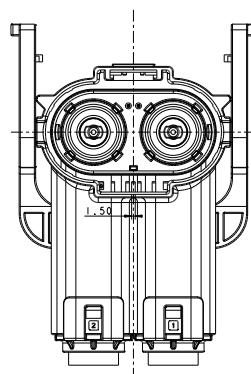
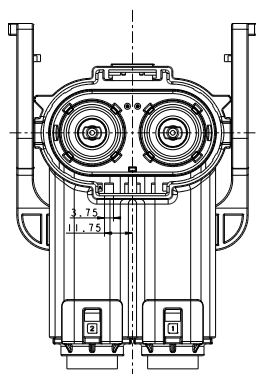
INSTALLATION CLEARANCE



2 PIN PLUG RIGHT ANGLE



INSERT ORIENTATIONS



	Coding A	Coding B	Coding C
P/N	HVSL1200 08 2 A	HVSL1200 08 2 B	HVSL1200 08 2 C

HOW TO ORDER (HVSL 1200)

HOW TO ORDER: PLUG

	HVSL1200	06	2	A	0	70
Product type:						
06: Straight plug						
08: Right angle plug						
Position:						
2: 2 position						
Coding / Alternate position:						
A: Coding A						
B: Coding B						
C: Coding C						
Interlock:						
0: Without interlock						
1: With interlock						
Cable size:						
70: 70mm ² cable						
95: 95mm ² cable						

HOW TO ORDER: RECEPTACLE

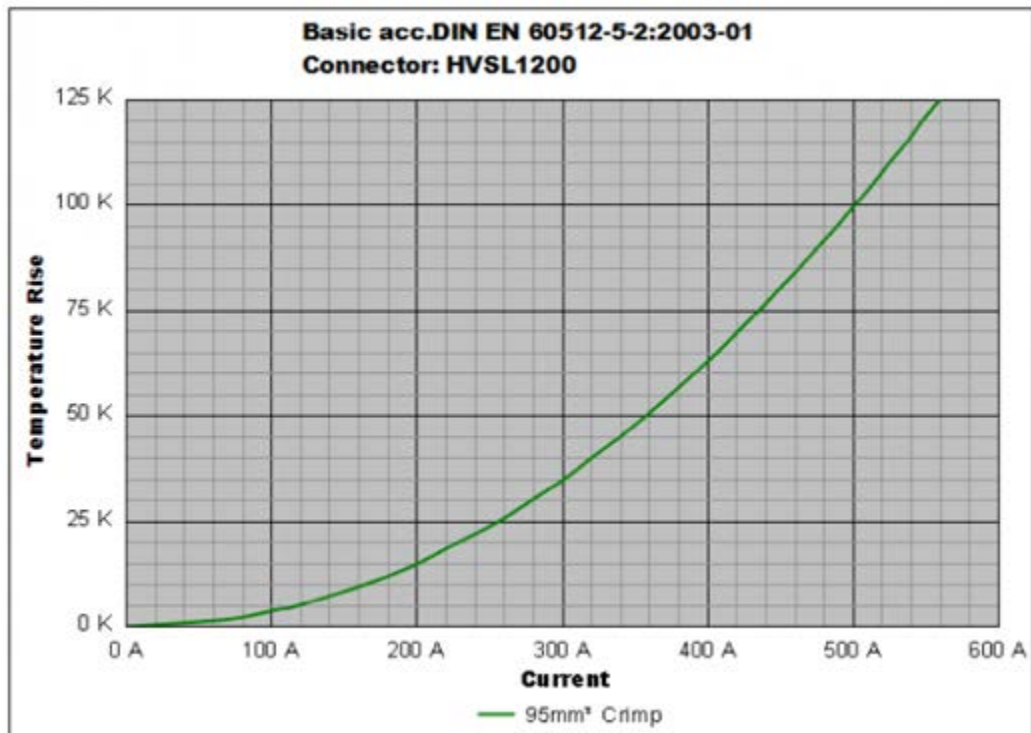
	HVSL1200	02	2	A	0	H10
Product type:						
02: Box mounted receptacle						
Position:						
2: 2 position						
Coding / Alternate position:						
A: Coding A						
B: Coding B						
C: Coding C						
Interlock:						
0: Without interlock						
1: With interlock						
Cable size:						
H10: OT terminal						

EXTRACTION TOOL FOR RECEPTACLE SIGNAL CONTACT

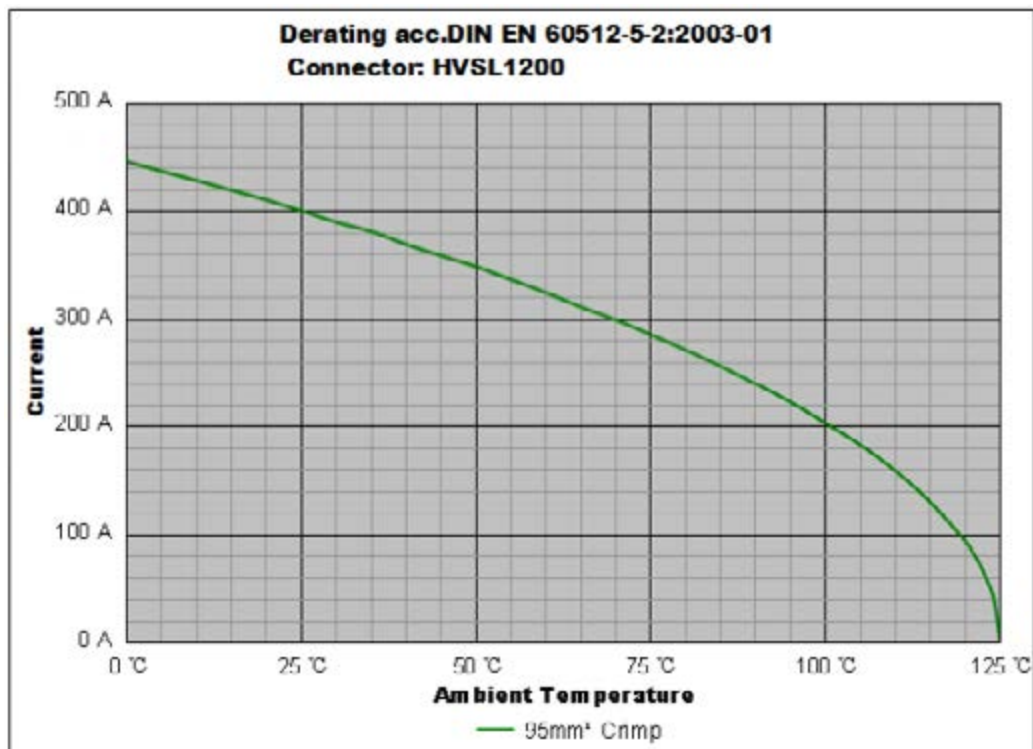
HVIL-contact Extraction tool: HVTOOL11R



HVSL 1200 | Temperature Rise



HVSL 1200 | Derating Curve



Remark: tests carried out on the complete connector.

EXCEL | MATE Plus (HVSL 1000)

EXCEL | MATE Plus



High Voltage Safety Lock

EXCEL | MATE Plus offers a max rated voltage up to 1000V and a max rated current of 250A. It can be used for power solutions in various HEV applications.

External HVIL for 1 position and internal HVIL for 2 to 3 positions.

KEY FEATURES

With interlock solution

RADSOK® Technology R4 version
10mm

Shielding performance: EMI/RFI

AK compliance LV215

Sealing, IP67 (mated), IP6K9K

1 to 3 positions available

Touch-proof, IP2XB

Multiple coding positions

APPLICATIONS

HEV Battery

Inverters

Junction boxes

Power distribution boxes

MECHANICAL

Durability ≥ 50 mating cycles

Wire range 25 to 70 mm²

ELECTRICAL

Rated voltage 1000V DC

Rated current 250A Max @ ambient
temperature 70°C

Insulator resistance $> 100\text{M}\Omega$

Dielectric withstand
voltage 3000V AC

ENVIRONMENTAL

Sealing IP67, IP6K9K (mated)

Touch-proof IP2XB

Temperature range -40°C to 125°C

STANDARDS

USCAR-2

USCAR-37

LV-215

RoHS

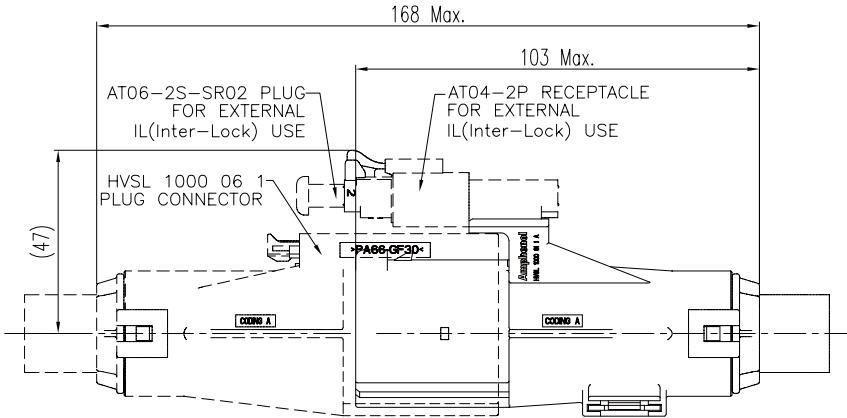
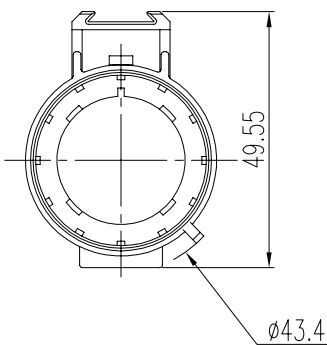
MATERIAL

Contacts Copper alloy with silver
plating

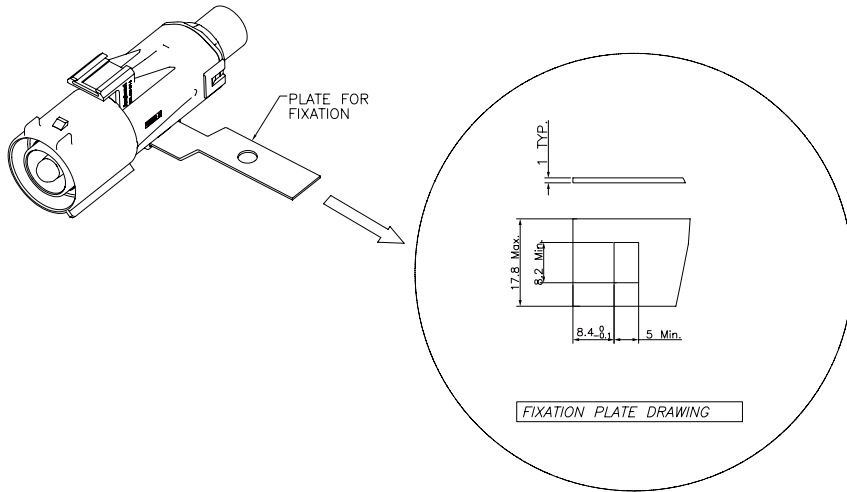
Housing PA66 + GF

Seal SR

RECEPTACLE IN-LINE



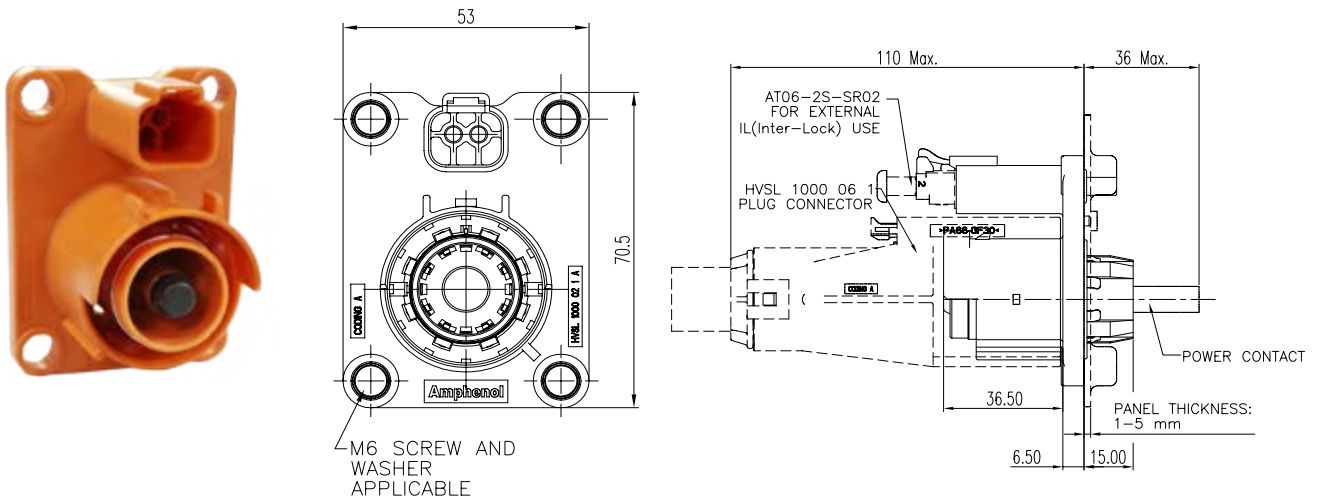
MOUNTED GROOVE



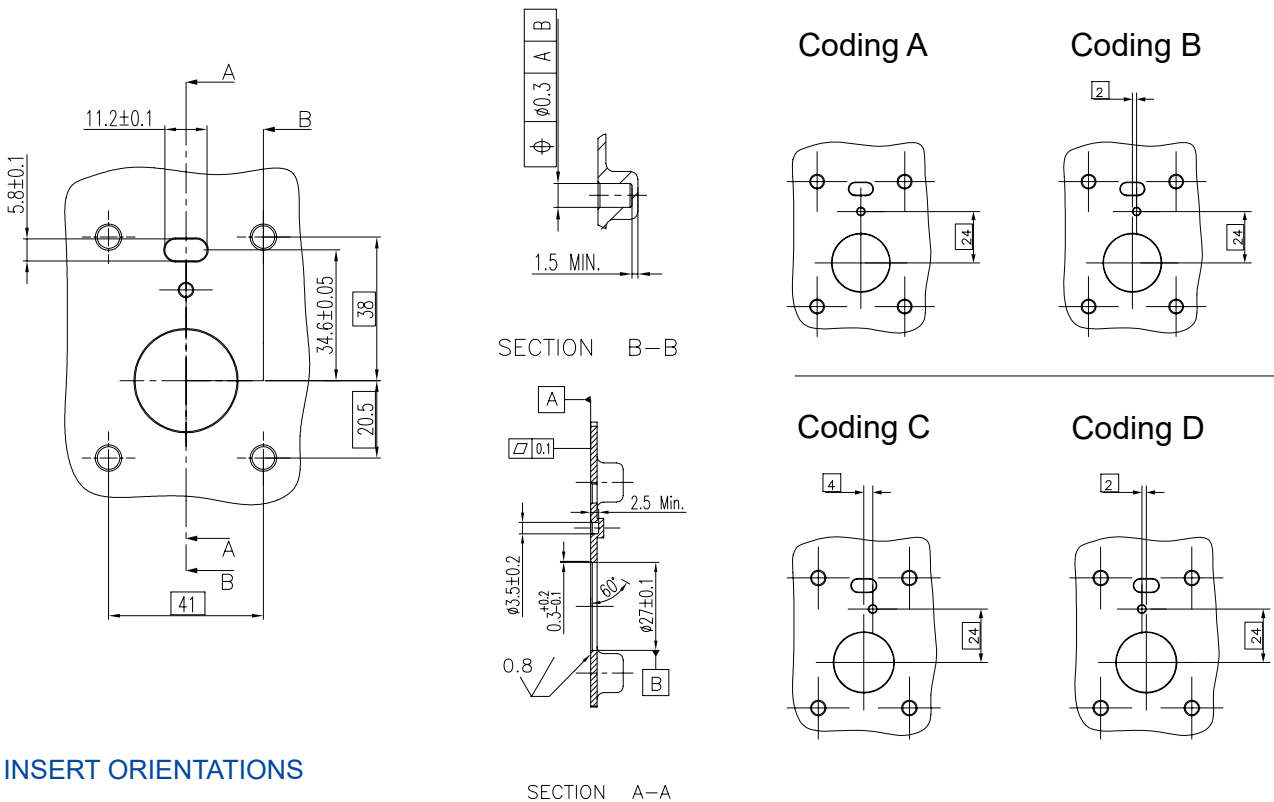
INSERT ORIENTATIONS

	Coding A	Coding B	Coding C	D 键位
P/N	HVSL1000 01 1 A	HVSL1000 01 1 B	HVSL1000 01 1 C	HVSL1000 01 1 D

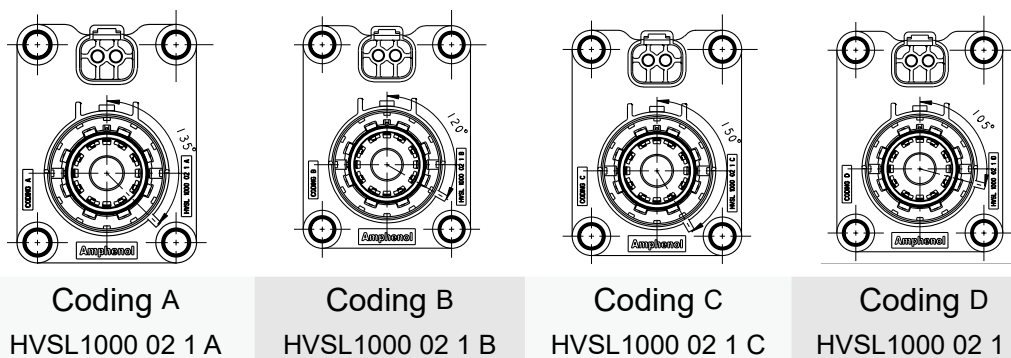
RECEPTACLE BOX MOUNTED



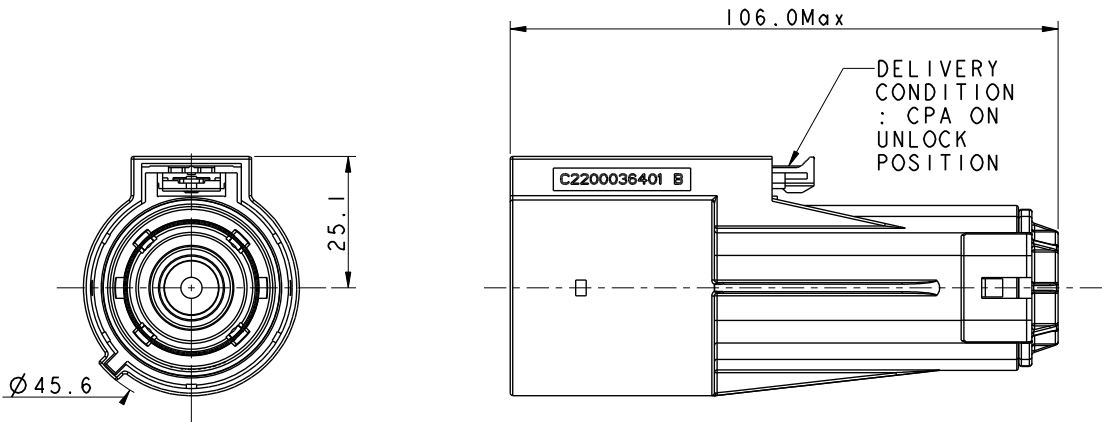
PANEL MOUNTING DIMENSIONS



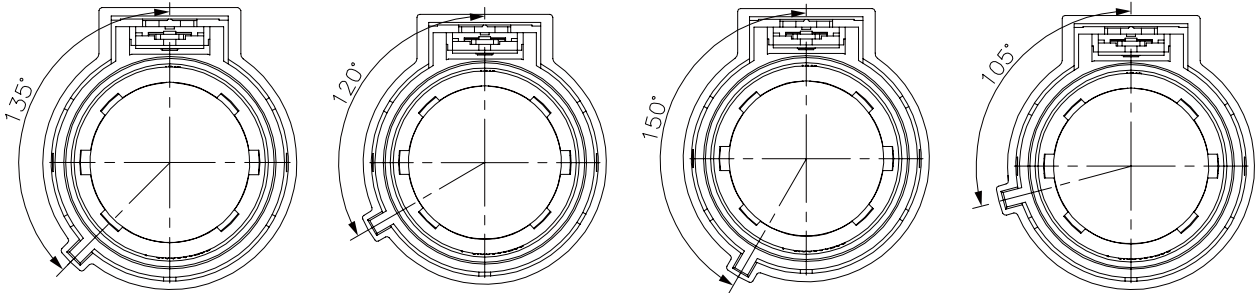
INSERT ORIENTATIONS



PLUG

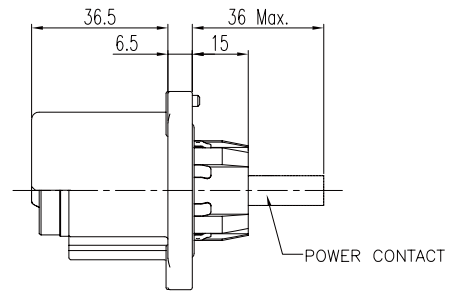
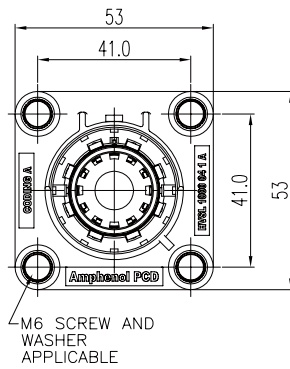


INSERT ORIENTATIONS

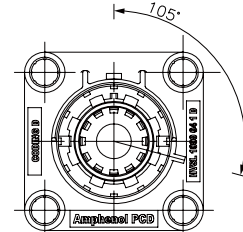
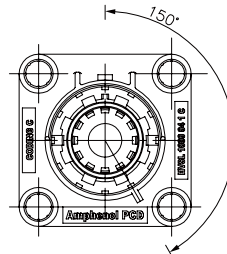
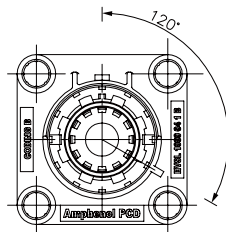
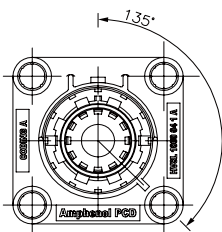


	Coding A	Coding B	Coding C	DCoding D
P/N	HVSL1000 06 1 A	HVSL1000 06 1 B	HVSL1000 06 1 C	HVSL1000 06 1 D

RECEPTACLE BOX MOUNTED **WITHOUT INTERLOCK**

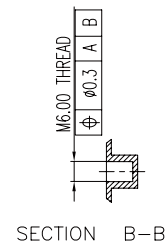
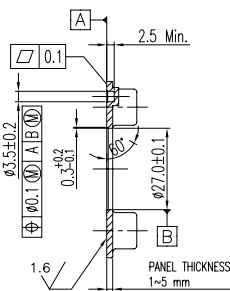
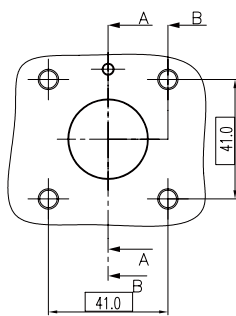


INSERT ORIENTATIONS

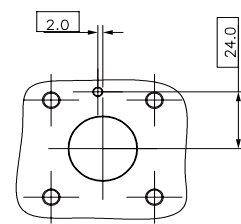
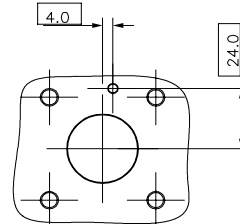
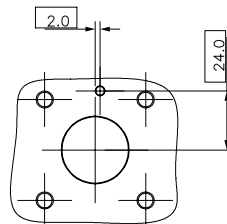
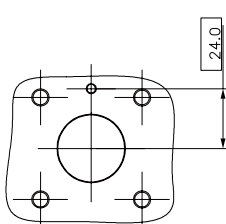


	Coding A	Coding B	Coding C	Coding D
P/N	HVSL1000 04 1 A	HVSL1000 04 1 B	HVSL1000 04 1 C	HVSL1000 04 1 D

PANEL MOUNTING DIMENSIONS



SECTION A-A



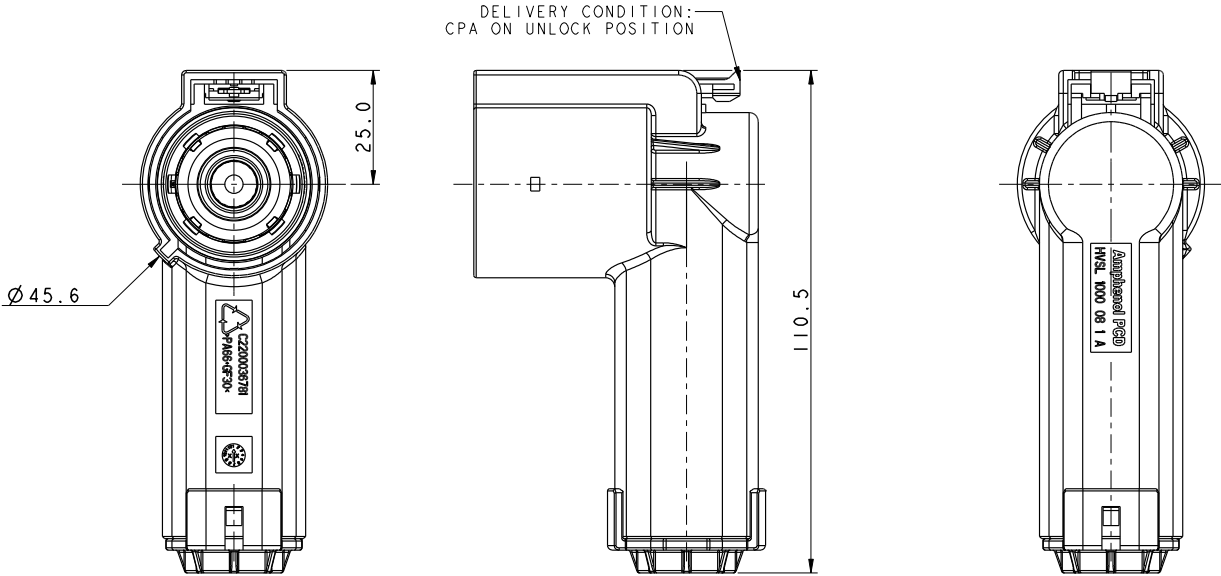
Coding A

Coding B

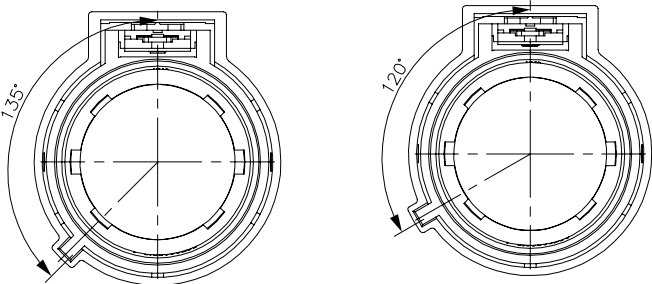
Coding C

Coding D

PLUG RIGHT ANGLE



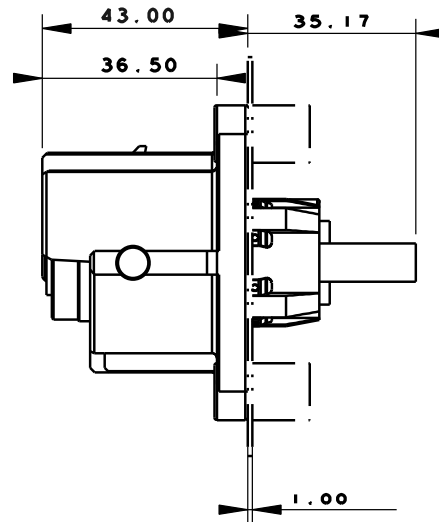
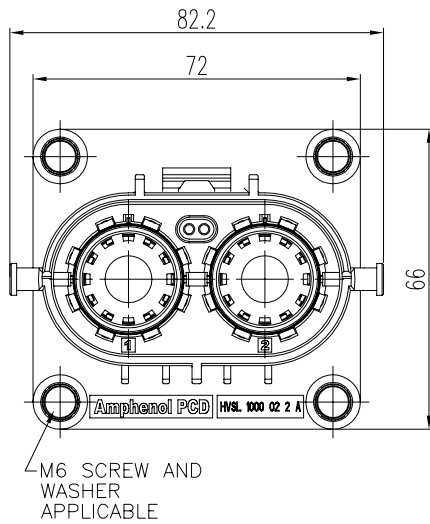
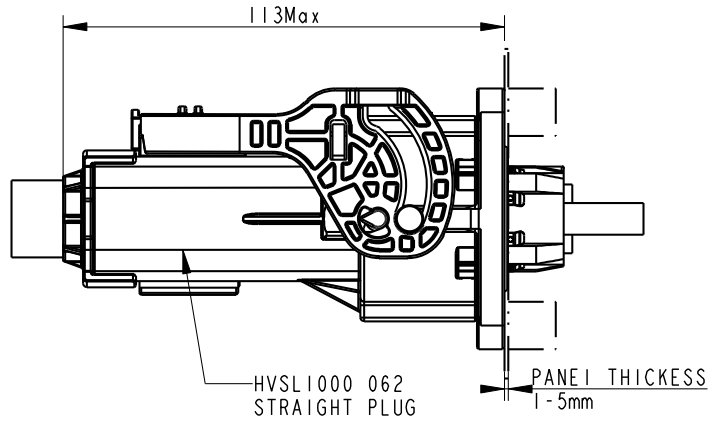
INSERT ORIENTATIONS



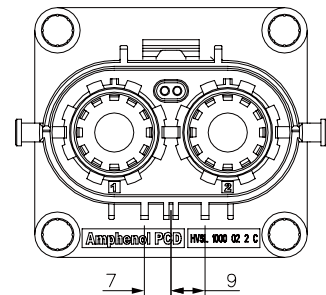
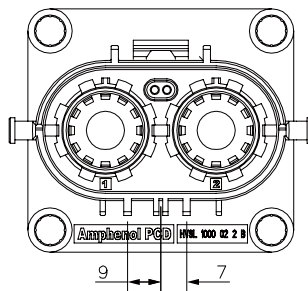
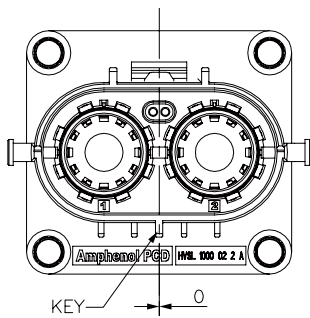
	Coding A	Coding B
P/N	HVSL1000 08 1 A	HVSL1000 08 1 B

Excel|Mate Plus (HVSL 1000)

2 PIN RECEPTACLE BOX MOUNTED

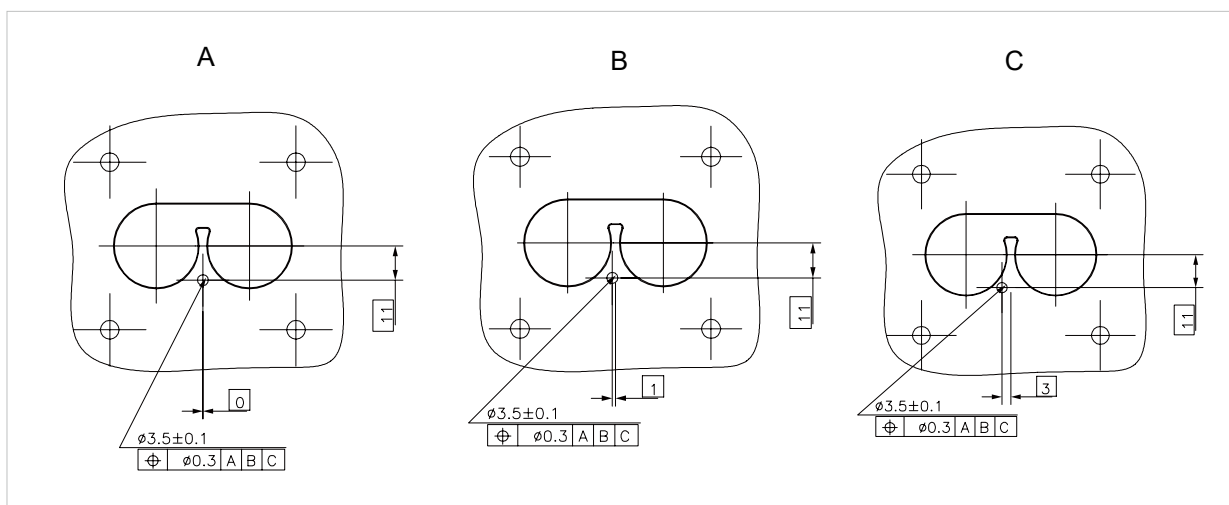
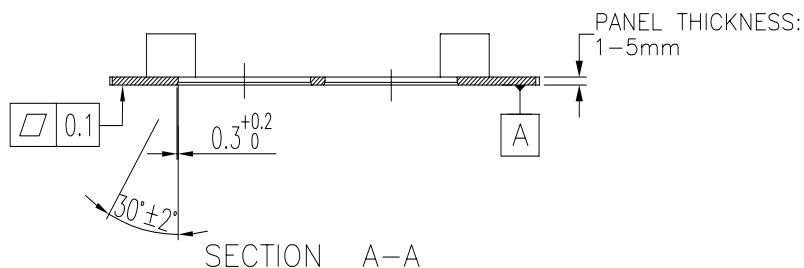
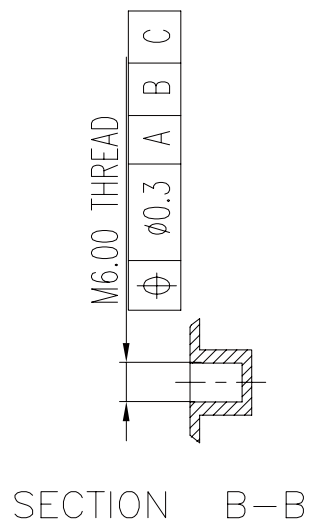
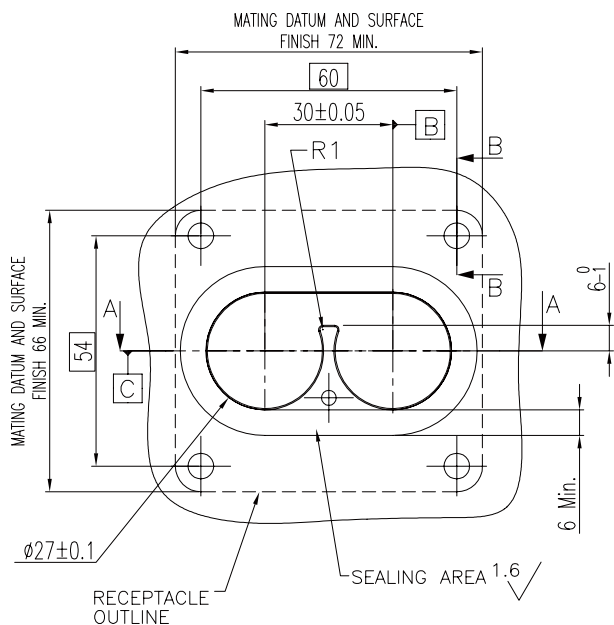


INSERT ORIENTATIONS



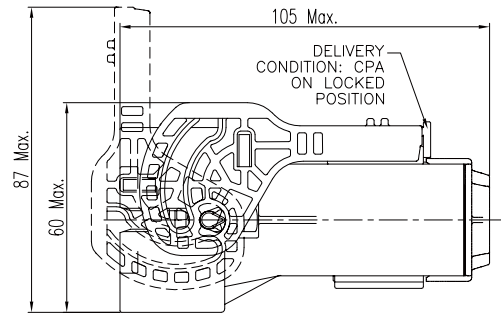
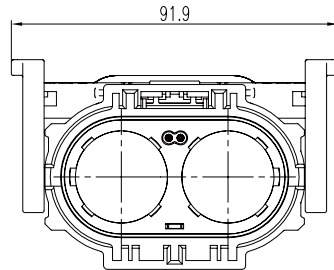
	Coding A	Coding B	Coding C
P/N	HVSL1000 02 2 A	HVSL1000 02 2 B	HVSL1000 02 2 C

PANEL MOUNTING DIMENSIONS

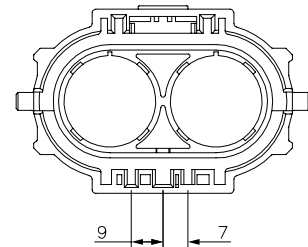
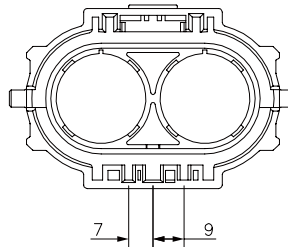
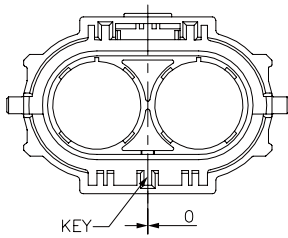


Excel|Mate Plus (HVSL 1000)

2 PIN PLUG

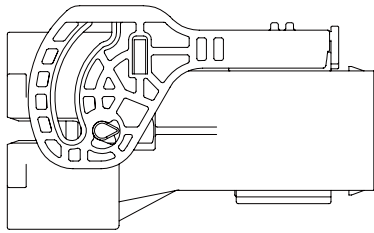


INSERT ORIENTATIONS

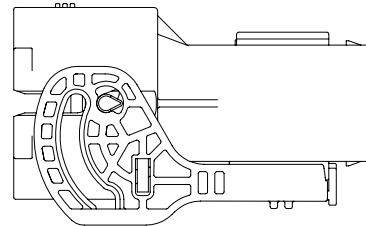


	Coding A	Coding B	Coding C
P/N	HVSL1000 06 2 A	HVSL1000 06 2 B	HVSL1000 06 2 C

LEVER POSITION

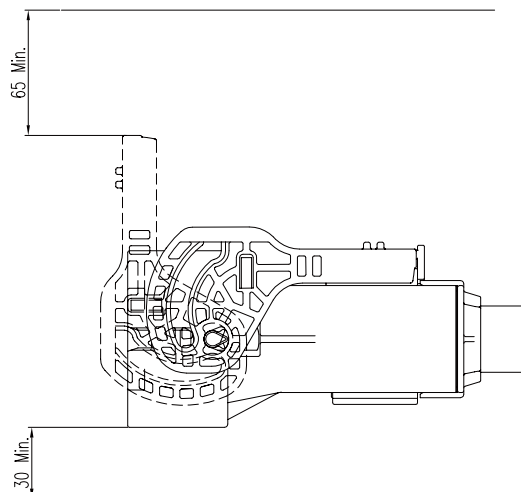


STANDARD LEVER

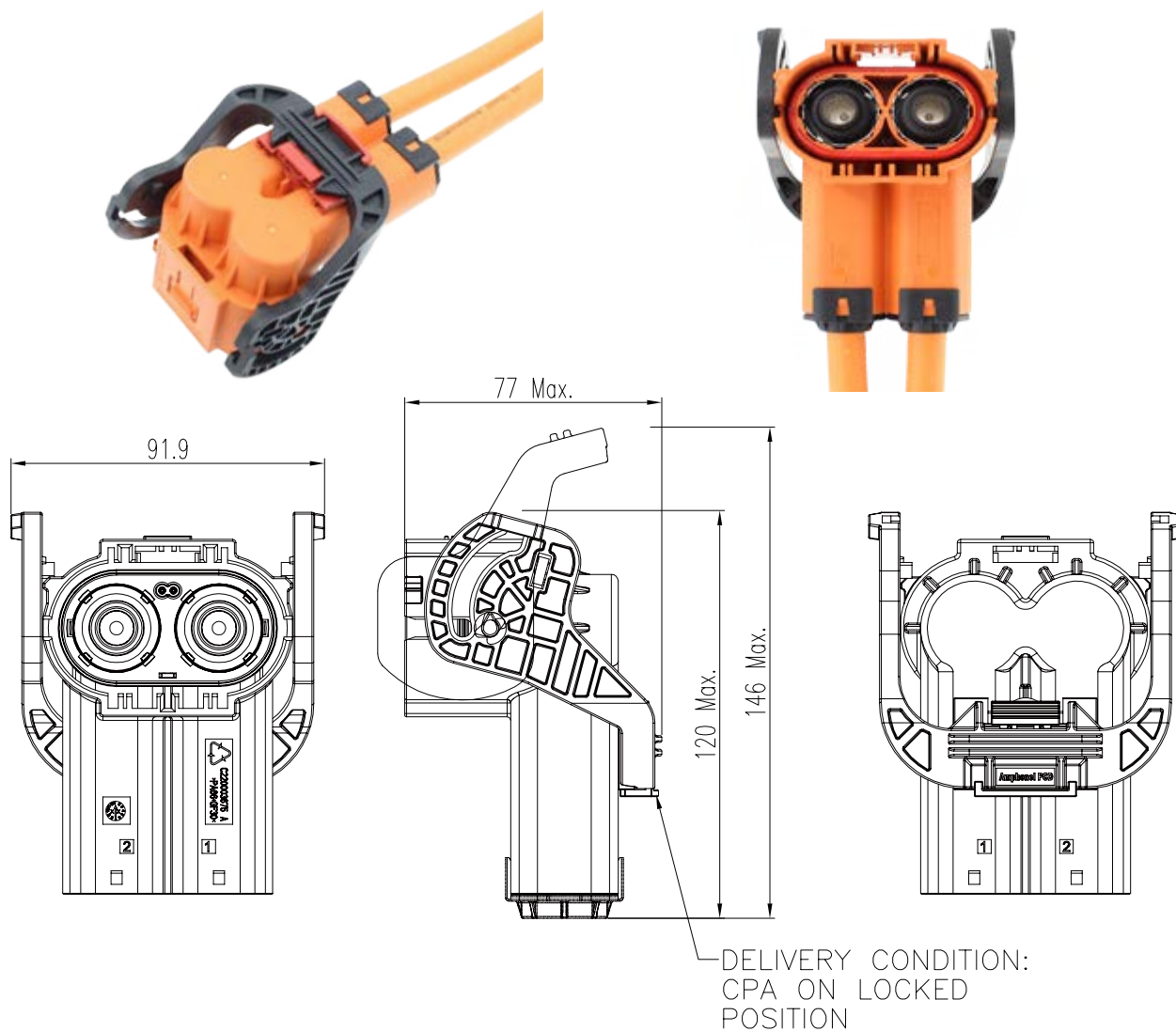


REVERSE LEVER

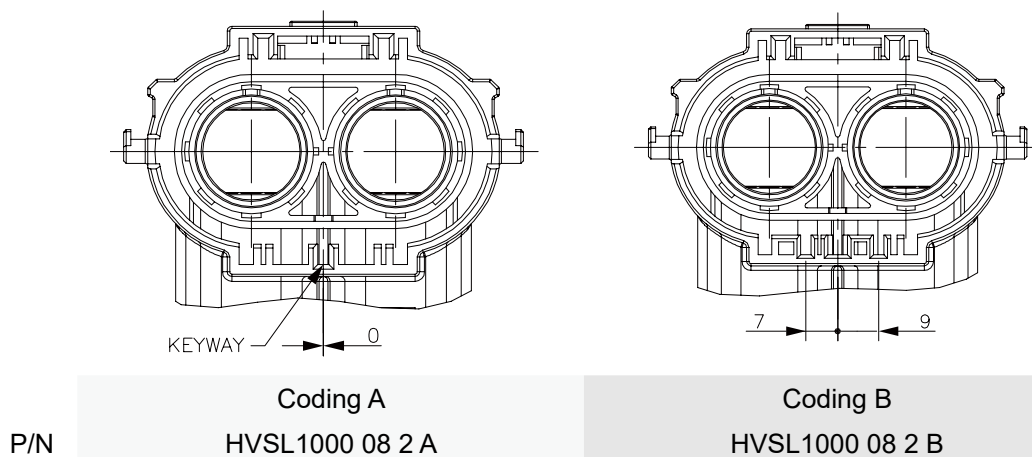
INSTALLATION CLEARANCE



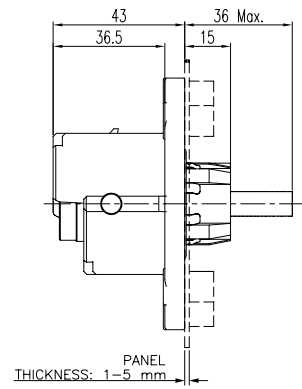
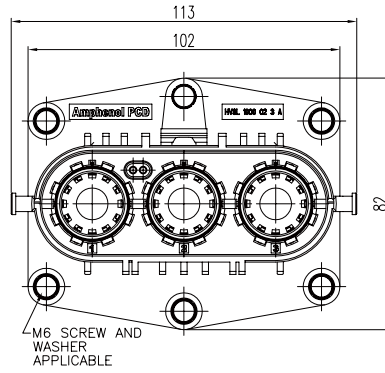
2 PIN PLUG RIGHT ANGLE



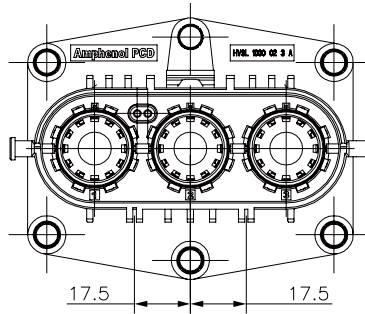
INSERT ORIENTATIONS



3 PIN RECEPTACLE BOX MOUNTED



INSERT ORIENTATIONS

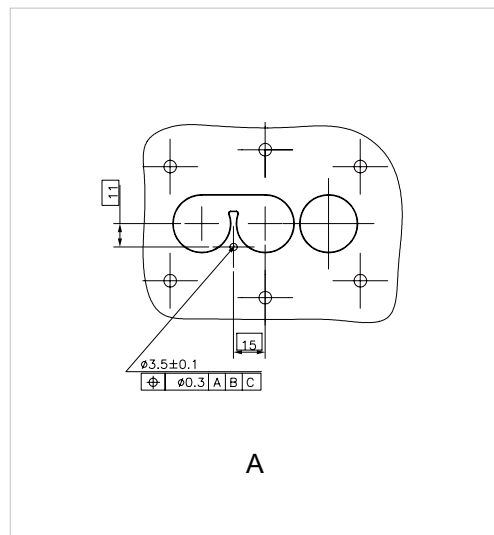
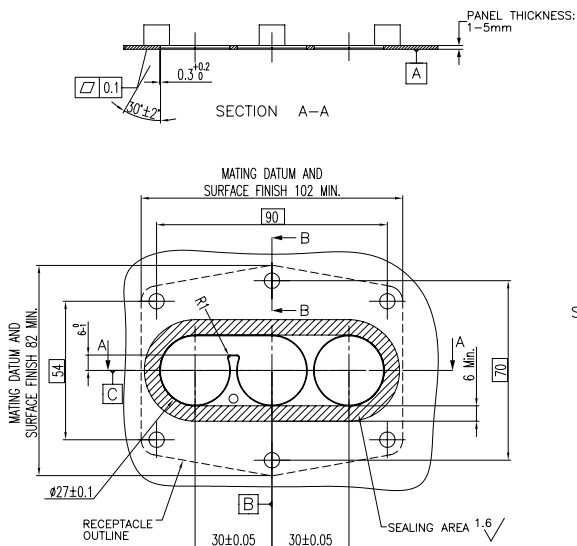


Coding A

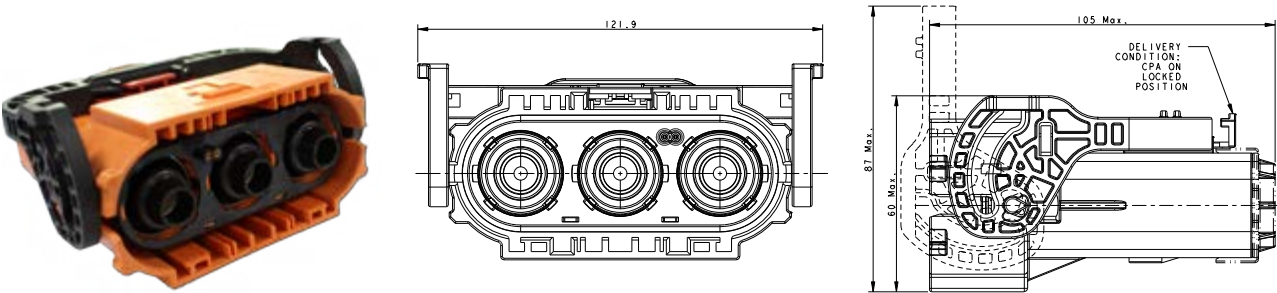
P/N

HVSL1000 02 3 A

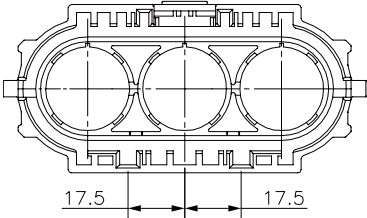
PANEL MOUNTING DIMENSIONS



3 PIN PLUG

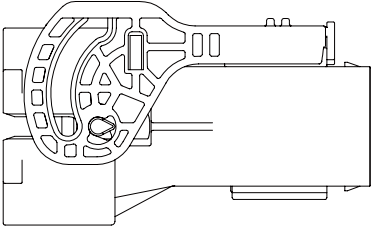


INSERT ORIENTATIONS

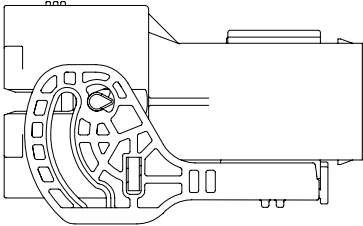


Coding A
P/N HVSL1000 06 3 A

LEVER POSITION

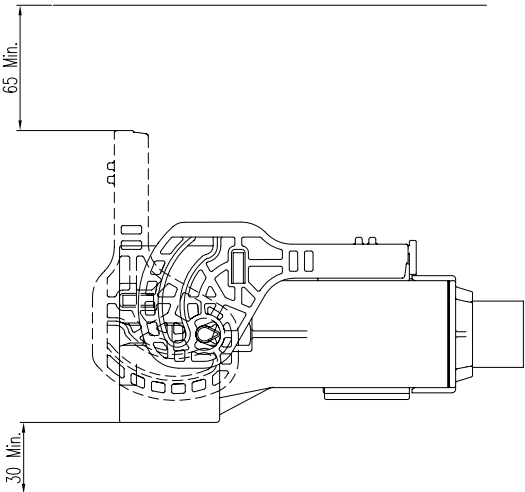


STANDARD LEVER



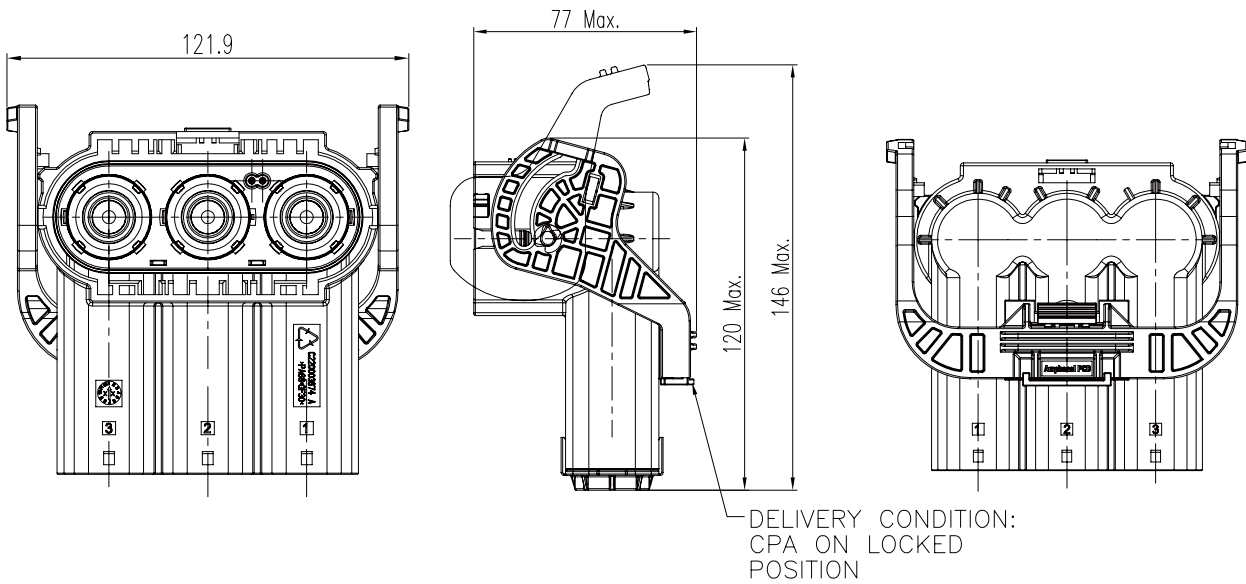
REVERSE LEVER

INSTALLATION CLEARANCE

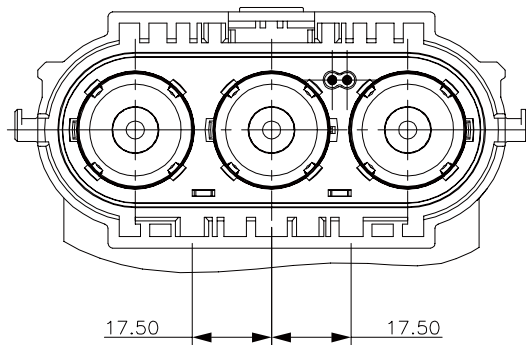


ExcellMate Plus (HVSL 1000)

3 PIN PLUG RIGHT ANGLE



INSERT ORIENTATIONS

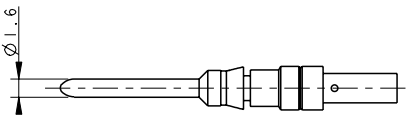
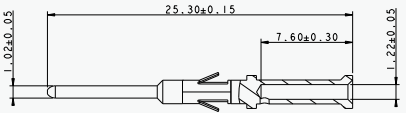
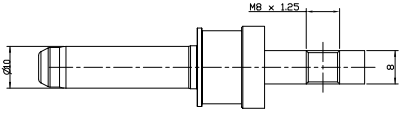
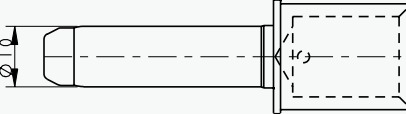
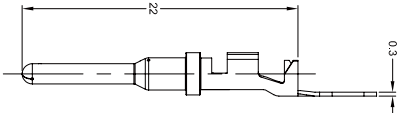
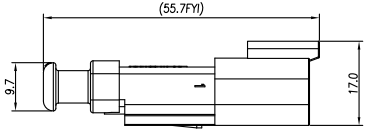
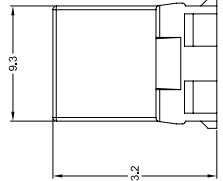


P/N

Coding A
HVSL1000 08 3 A

ATTACHMENT: CONTACTS FOR RECEPTACLE

All connectors include contacts. For extra contacts, please order them separately (ref: P/N below)

Name	Contact P/N & Wire Size	Drawing
1 Pin Box mounted receptacle for Interlock	C42000400504G 0.5mm ² max wire	
2 or 3 pin for Interlock	C200003609 0.5mm ² max wire	
Power contact Thread for Bus-bar	C4200036152	
Power contact Crimp for wire	C42000361511 - 70mm ² wire C42000361512 - 50mm ² wire C42000361513 - 35mm ² wire C42000361514 - 25mm ² wire	
1 Pin: In-line receptacle for Interlock	AT60-16-0622 0.5mm ² max wire	
	AT04-2P-SR02BLK 0.5mm ² max wire	
	AW2P	

CONTACTS FOR RECEPTACLE

ATTACHMENT: CONTACTS FOR PLUG

All connectors include contacts. For extra contacts, please order them separately (ref: P/N below)

Name	Contact P/N & Wire Size	Drawing
1 Pin HVIL plug	C210003610	
1 Pin (For In-line plug) Rope for Interlock	C210003608 (Order with HVIL plug)	
1 Pin (For R/A plug) Rope for Interlock	C210003611 (Order with HVIL plug)	
Socket contact	C4200036161 - 70mm ² wire C4200036162 - 50mm ² wire C4200036163 - 35mm ² wire C4200036164 - 25mm ² wire	
Kit of socket insert For plug	C4220036011 - 70mm ² wire C4220036012 - 50mm ² wire C4220036013 - 35mm ² wire C4220036014 - 25mm ² wire	
Kit of socket insert For receptacle in-line	C4220036021 - 70mm ² wire C4220036022 - 50mm ² wire C4220036023 - 35mm ² wire C4220036024 - 25mm ² wire	
Power contact - rear Crimp for wire for right angle plug	C4220036031 - 70mm ² wire C4220036032 - 50mm ² wire C4220036033 - 35mm ² wire C4220036034 - 25mm ² wire	

HVSL 1000 | PRODUCT SERIES OVERVIEW

Single pin
(HVIL External)



In-line receptacle



In-line plug

Single pin
(Without HVIL)



2 pin
(HVIL Integrated)



3 pin
(HVIL Integrated)



EXTRACTION TOOL FOR RECEPTACLE SIGNAL CONTACT

HVIL-contact Extraction tool: HVTOOL11R



HOW TO ORDER (HVSL 1000)

HOW TO ORDER: PLUG

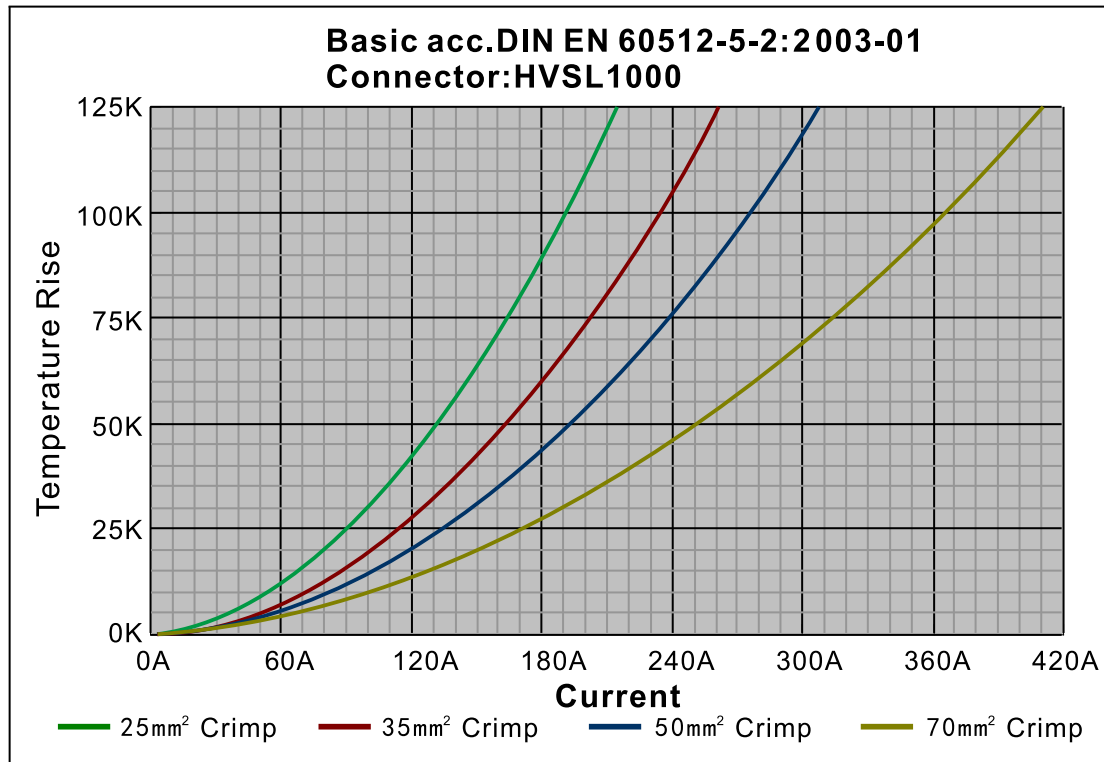
	HVSL1000	06	1	A	0	35
Product type:						
06: Straight plug 08: Right angle plug						
Position:						
1: 1 position 2: 2 position 3: 3 position						
Coding / Alternate position:						
A: Coding A						
B: Coding B (for positions 2 & 3)						
C: Coding C (for positions 2 & 3)						
D: Coding D (for position 1)						
Interlock:						
0: Without interlock 1: With interlock						
Cable size:						
25: 25mm ² cable 35: 35mm ² cable 50: 50mm ² cable 70: 70mm ² cable						

HOW TO ORDER: RECEPTACLE

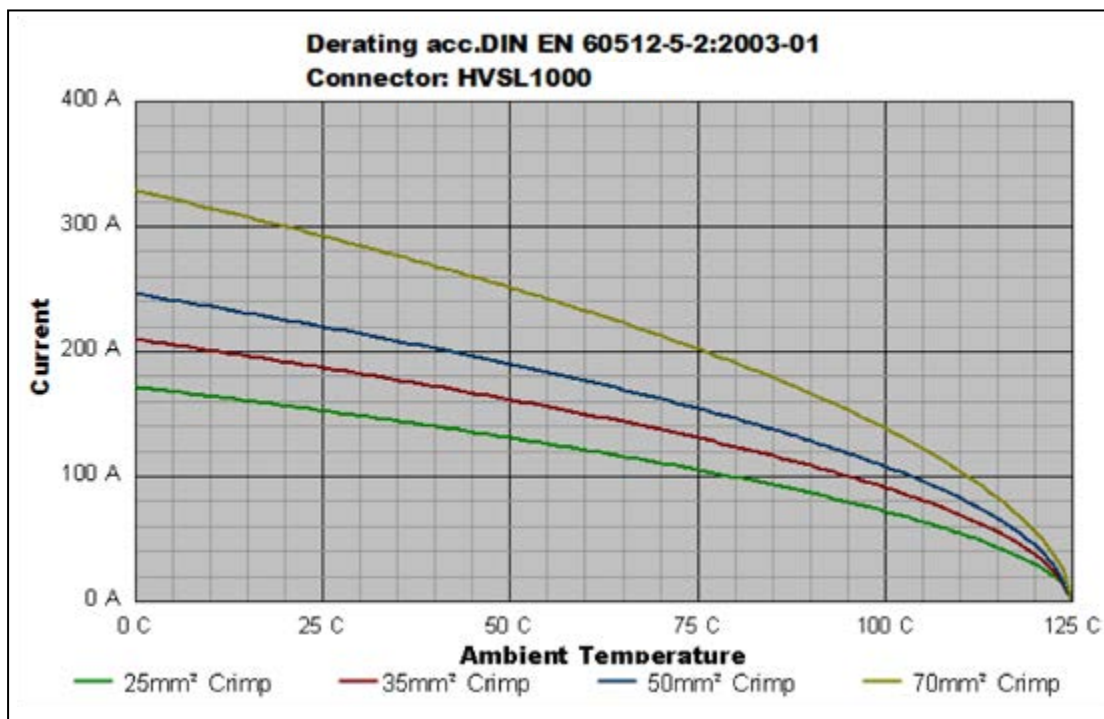
	HVSL1000	01	1	A	0	H8
Product type:						
01: In-line receptacle						
Position:						
1: 1 position 2: 2 position 3: 3 position						
Coding / Alternate position:						
A: Coding A						
B: Coding B (for position 1)						
C: Coding C (for position 1)						
D: Coding D (for position 1)						
Interlock:						
0: Without interlock 1: With interlock						
Cable size:						
25: 25mm ² cable 35: 35mm ² cable 50: 50mm ² cable 70: 70mm ² cable						

	HVSL1000	02	1	A	0	H8
Product type:						
02: Box mounted receptacle						
04: Box mounted receptacle without Interlock						
Position:						
1: 1 position 2: 2 position 3: 3 position						
Coding / Alternate position:						
A: Coding A						
B: Coding B (for position 1)						
C: Coding C (for position 1)						
D: Coding D (for position 1)						
Interlock:						
0: Without interlock 1: With interlock						
Cable size:						
H8: M8 OT terminal						

HVSL 1000 | Temperature Rise



HVSL 1000 | Derating Curve



Remark: tests carried out on the complete connector.

Excel|Mate S (HVSL 800)

ExcelMate S (HVSL800)



EXCEL | MATE S

EXCEL | MATE S is a 2 pin and 3 pin connector with a current carrying capacity from 120 to 180A and 25 to 50 mm² crimping cable.

Specially designed for battery, inverters, junction boxes, power distribution boxes and others HEV devices' equipment.

KEY FEATURES

Integrated internal HVIL

Current rating up to 180A@ ambient temperature 70°C

No tool required to unmate

Sealing, IP67 , IP6K9K

Touch-proof, IP2XB

Multiple coding positions

CPA available

MECHANICAL

Durability	≥ 50 mating cycles
Wire range	25 to 50 mm ² shielded wire
Insertion and extraction force	< 100N
Connection type	Copper bar
HVIL	Integrated
CPA	CPA

ELECTRICAL

Rated voltage	1000V DC
Rated current	Max 180A @ ambient temperature 70°C
Insulator resistance	> 100MΩ
Dielectric withstand voltage	3000V AC
Shielding	360° from wire to device

ENVIRONMENTAL

Sealing	IP67, IP6K9K (mated)
Touch-proof	IP2XB
Temperature range	-40°C to 125°C

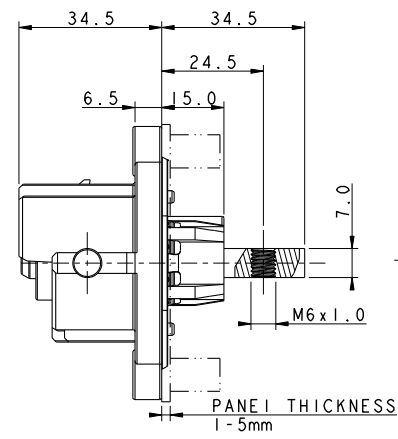
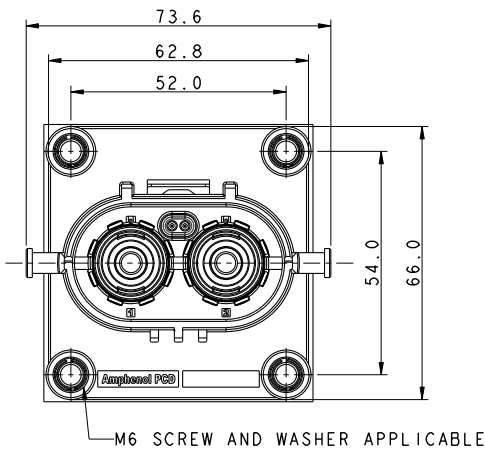
STANDARDS

USCAR-2
USCAR-37
LV-215
RoHS

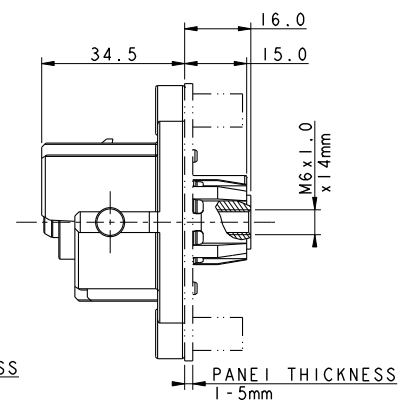
MATERIAL

Contacts	Copper alloy with silver plating
Housing	PA66 + GF
Seal	SR

2 PIN RECEPTACLE

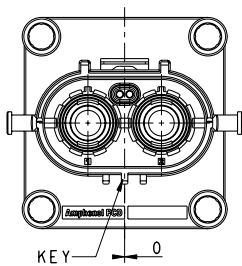


POWER CONTACT
HOLE TERMINATION

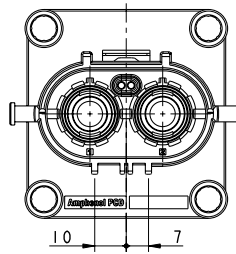


POWER CONTACT
SCREW TERMINATION-INTERNAL

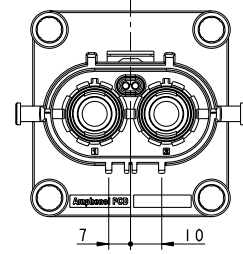
INSERT ORIENTATIONS



Coding A



Coding B



Coding C

P/N

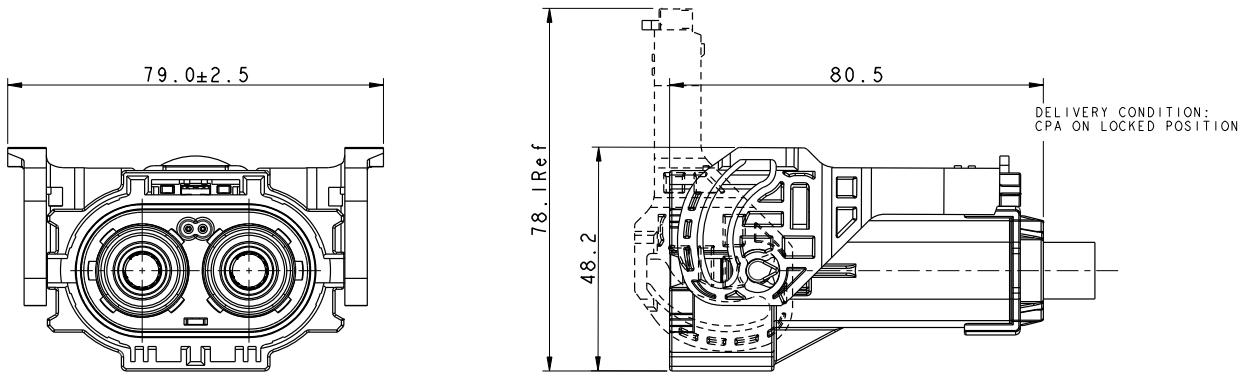
HVSL800 02 2 A

HVSL800 02 2 B

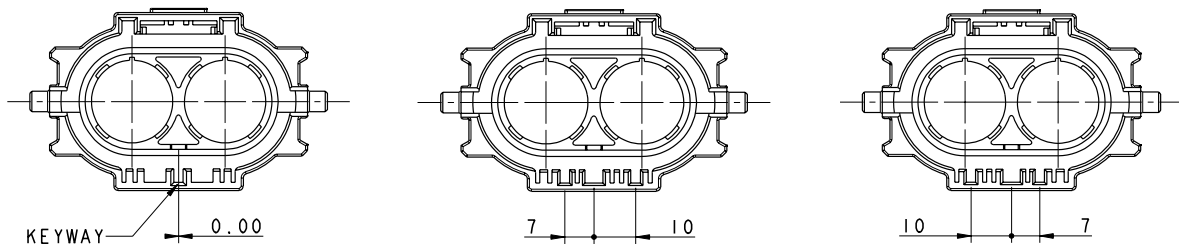
HVSL800 02 2 C

Excel|Mate S (HVSL 800)

2 PIN STRAIGHT PLUG

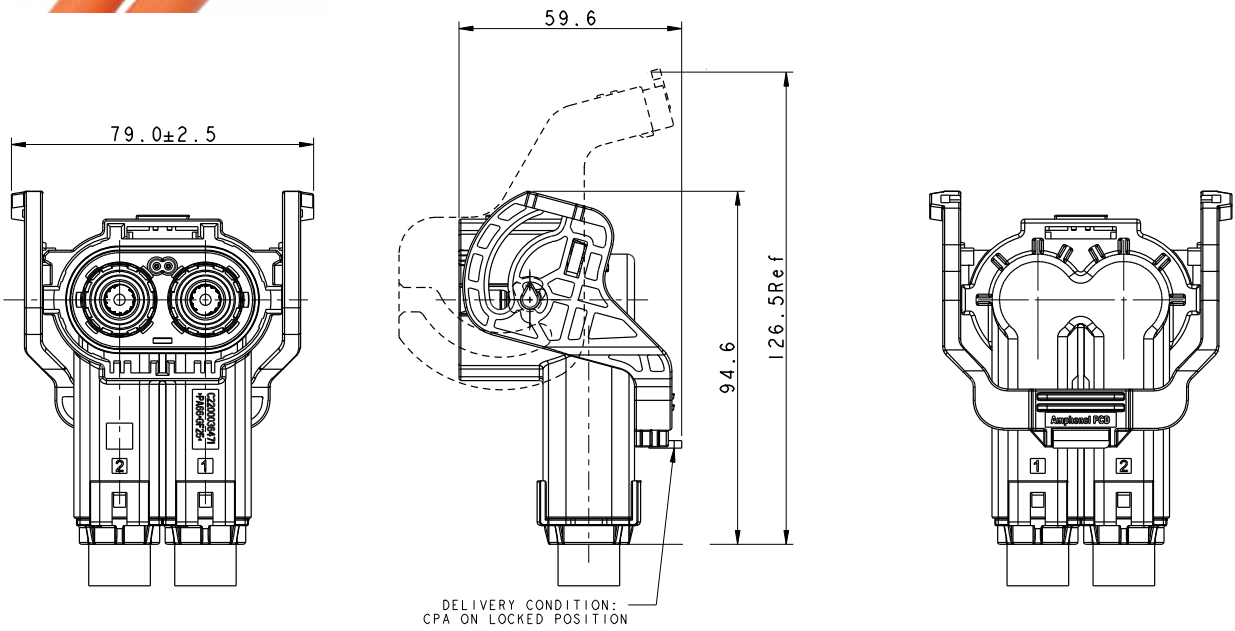


INSERT ORIENTATIONS

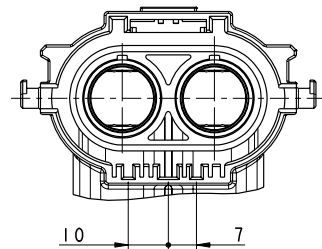
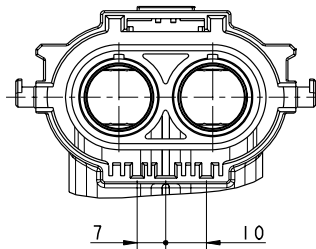
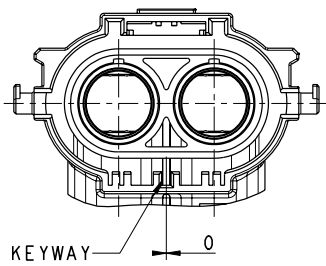


	Coding A	Coding B	Coding C
P/N	HVSL800 06 2 A	HVSL800 06 2 B	HVSL800 06 2 C

2 PIN RIGHT ANGLE PLUG



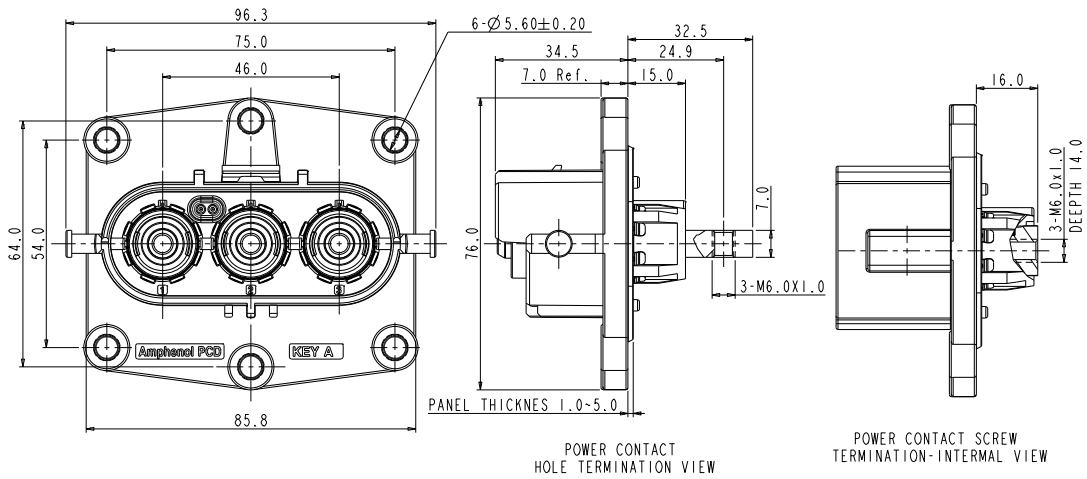
INSERT ORIENTATIONS



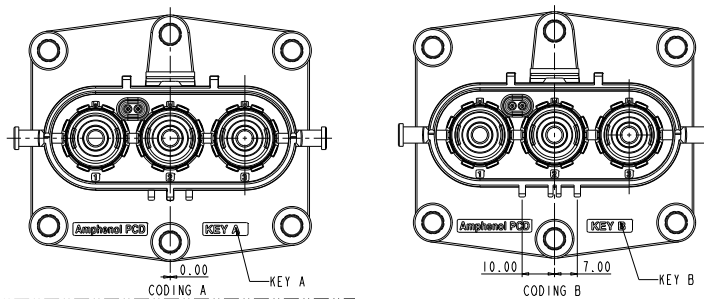
	Coding A	Coding B	Coding C
P/N	HVSL800 08 2 A	HVSL800 08 2 B	HVSL800 08 2 C

Excel|Mate S (HVSL 800)

3 PIN RECEPTACLE

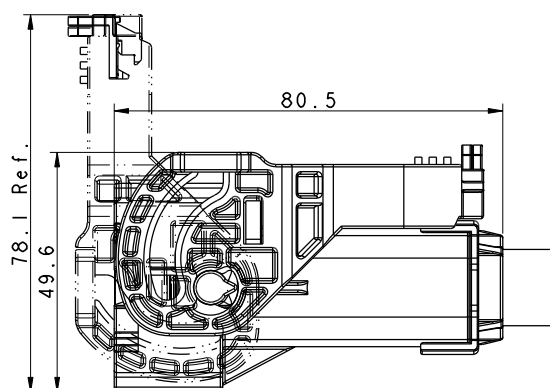
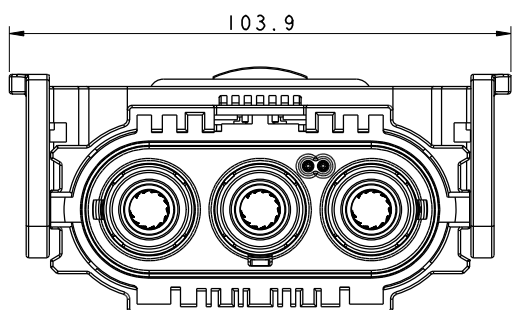


INSERT ORIENTATIONS

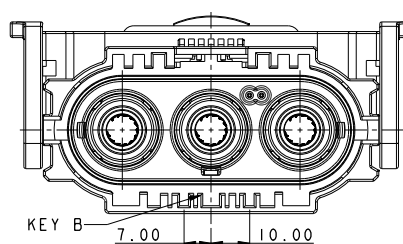
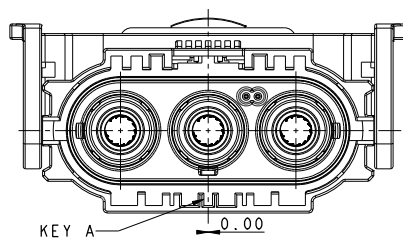


	Coding A	Coding B
P/N	HVSL800 02 3 A	HVSL800 02 3 B

3 PIN STRAIGHT PLUG



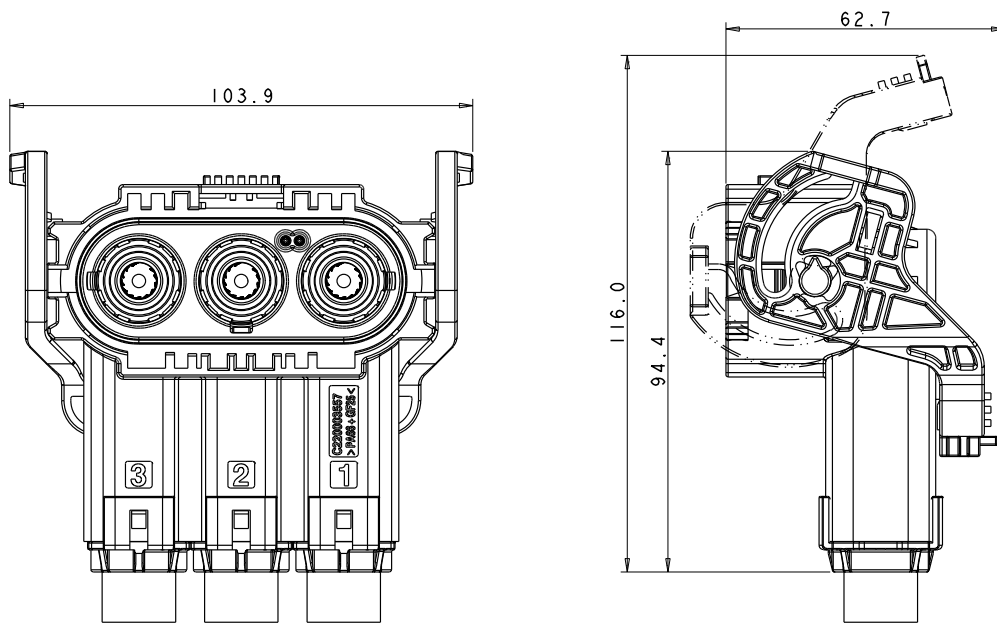
INSERT ORIENTATIONS



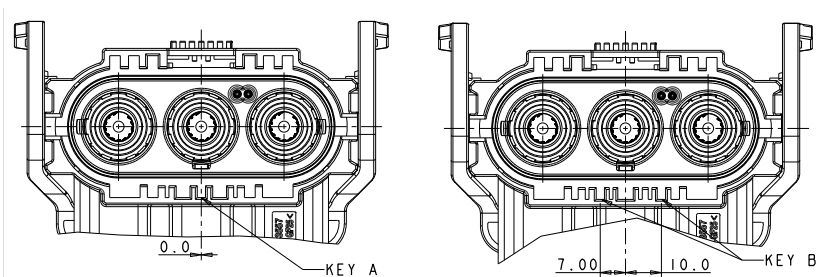
	Coding A	Coding B
P/N	HVSL800 06 3 A	HVSL800 06 3 B

Excel|Mate S (HVSL 800)

3 PIN RIGHT ANGLE PLUG

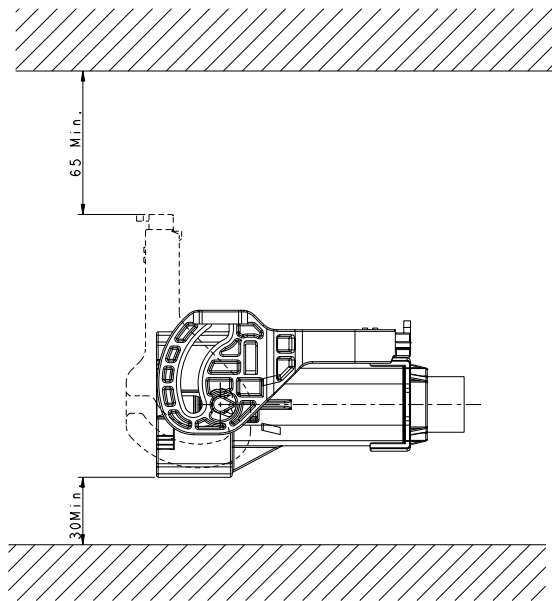


INSERT ORIENTATIONS



	Coding A	Coding B
P/N	HVSL800 08 3 A	HVSL800 08 3 B

INSTALLATION CLEARANCE



EXTRACTION TOOL FOR RECEPTACLE HVIL

HVIL-contact Extraction tool: HVTOOL11R



HOW TO ORDER: PLUG

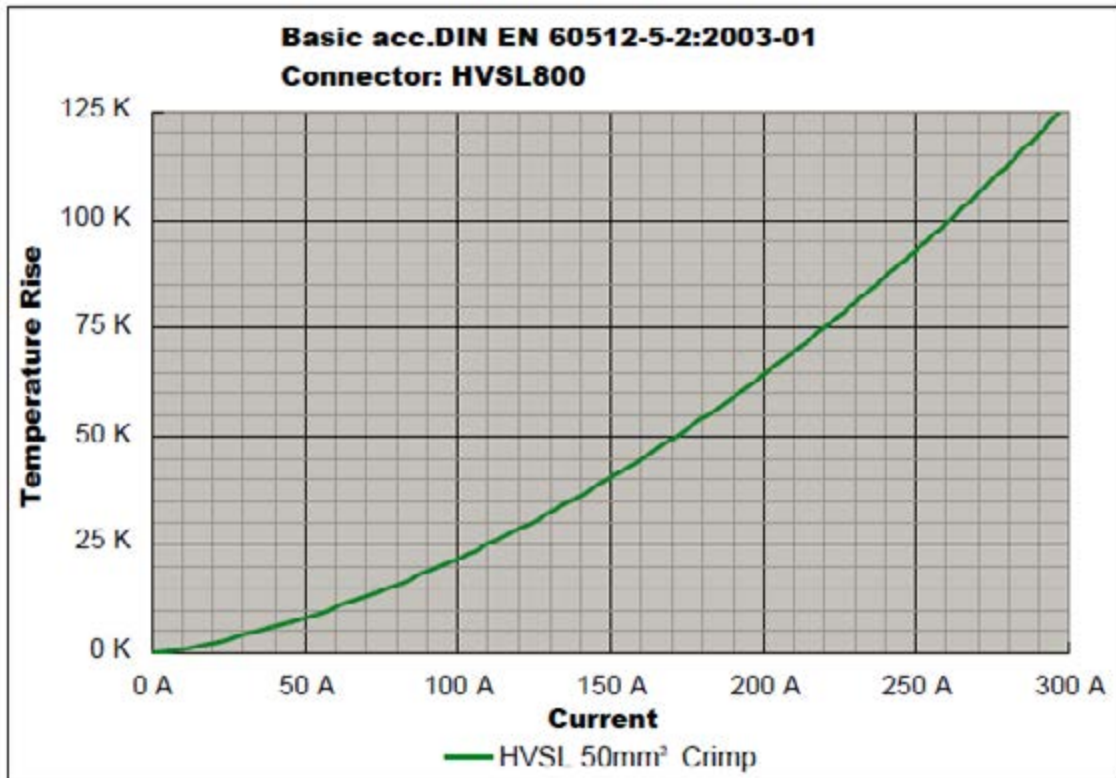
HVSL800	06	2	A	0	50
Product type:					
06: Straight plug 08: Right angle plug					
Position:					
2: 2 position 3: 3 position					
Coding / Alternate position:					
A: Coding A B: Coding B C: Coding C (Only for 2 position)					
Interlock:					
0: Without interlock 1: With interlock					
Cable size:					
25: 25mm ² cable 35: 35mm ² cable 50: 50mm ² cable					

HOW TO ORDER: RECEPTACLE

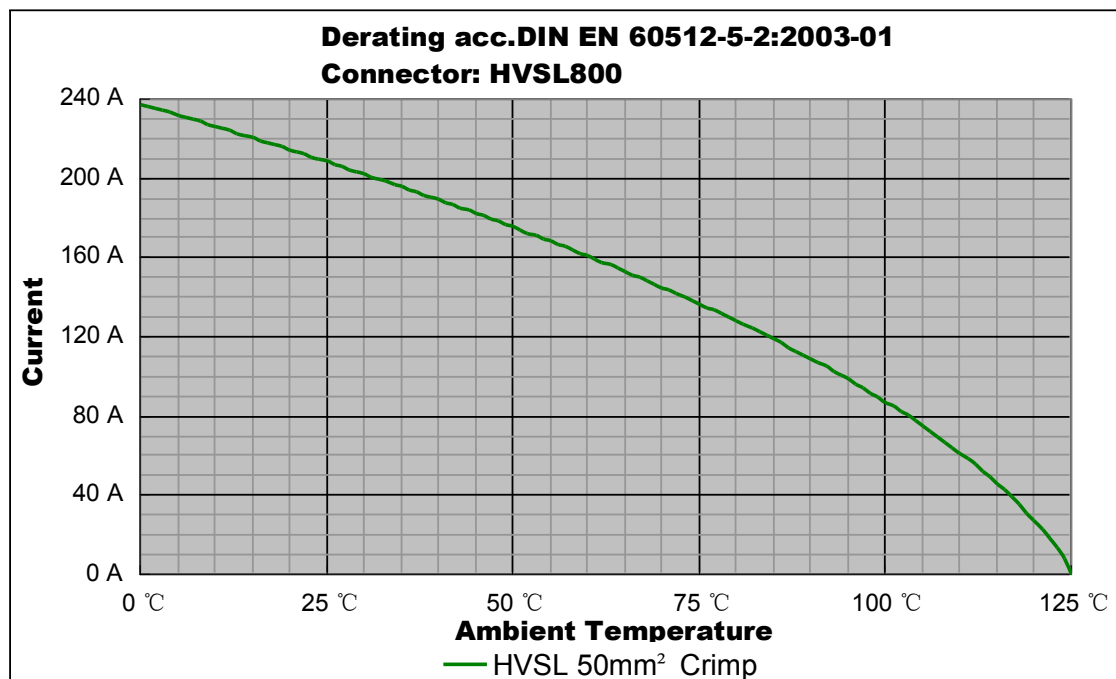
HVSL800	02	2	A	0	H6
Product type:					
02: Box mounted receptacle					
Position:					
2: 2 position 3: 3 position					
Coding / Alternate position:					
A: Coding A B: Coding B C: Coding C (Only for 2 positions)					
Interlock:					
0: Without interlock 1: With interlock					
Cable size:					
H6: Copper bar, OT terminal D6: Screw (Internal), OT terminal					

CHARTS (HVSL 800)

HVSL 800 | Temperature Rise



HVSL 800 | Derating Curve



Remark: tests carried out on the complete connector.

EXCEL | MATE Metal: 2 PIN & 3 PIN CONNECTOR



EXCEL | MATE Metal

EXCEL | MATE Metal is a 2 pin and 3 pin connector with current carrying capacity from 80 to 120A and 16 to 25mm² crimping cable.

Specially designed for battery, inverters, junction boxes, power distribution boxes and others HEV devices' equipment.

KEY FEATURES

Integrated internal HVIL

Current rating up to 120A@ ambient temperature 70°C

No tool required to unmate

Sealing, IP67 (mated), IP6K9K

Touch-proof, IP2XB

Multiple coding positions

CPA available

MECHANICAL

Durability	≥ 50 mating cycles
Wire range	16 to 25 mm ² shielded wire
Insertion and extraction force	< 100N
Connection type	Copper bar
HVIL	Integrated
CPA	Available

ELECTRICAL

Rated voltage	1000V DC
Rated current	120A Max @ ambient temperature 70°C
Insulator resistance	> 100MΩ
Dielectric withstand voltage	3000V AC
Shielding	360° from wire to device

ENVIRONMENTAL

Sealing	IP67, IP6K9K (mated)
Touch-proof	IP2XB
Temperature range	-40°C to 125°C
Salt spray	96 hours

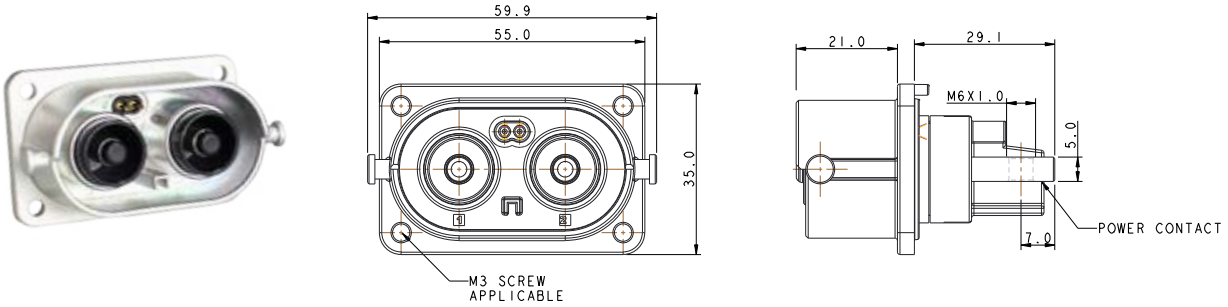
STANDARDS

USCAR-2
USCAR-37
LV-215
RoHS

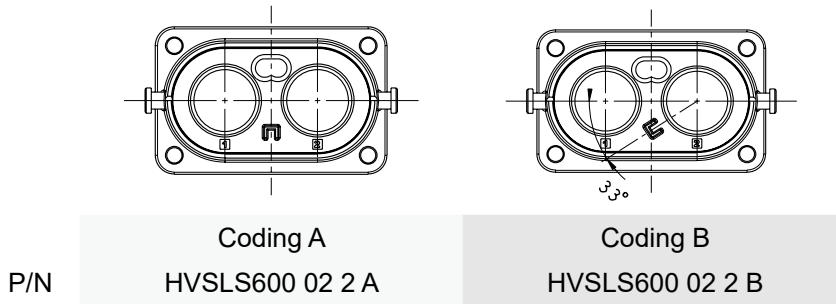
MATERIAL

Terminals	Copper/copper alloy with silver plating
Housing	Zinc alloy

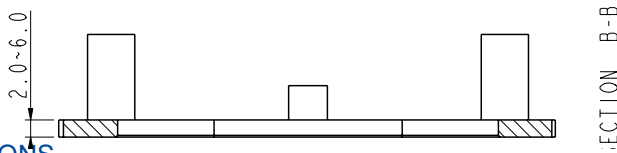
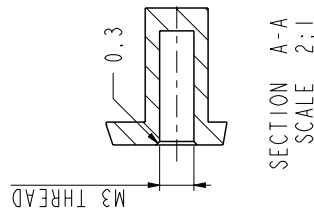
2 PIN RECEPTACLE



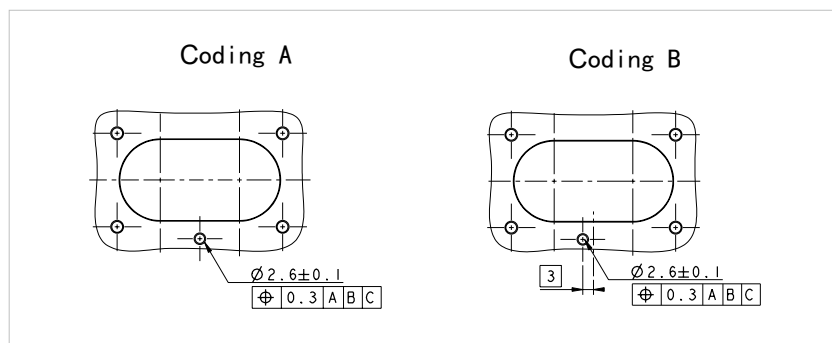
INSERT ORIENTATIONS



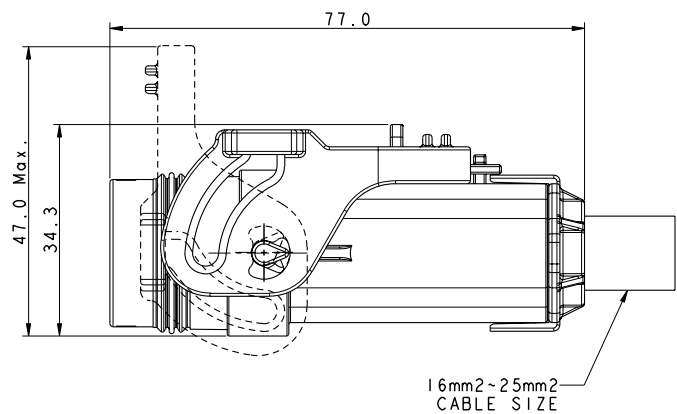
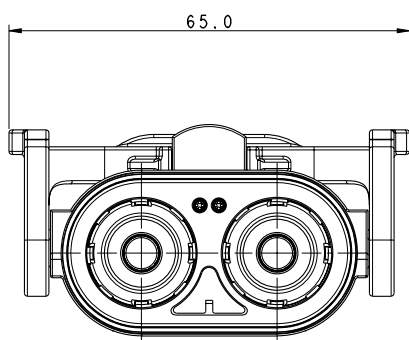
PANEL MOUNTING DIMENSIONS



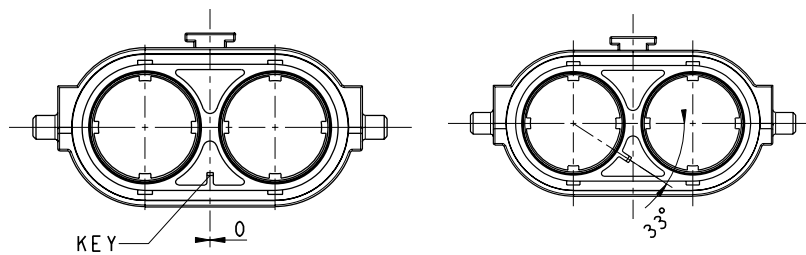
INSERT ORIENTATIONS



2 PIN STRAIGHT PLUG



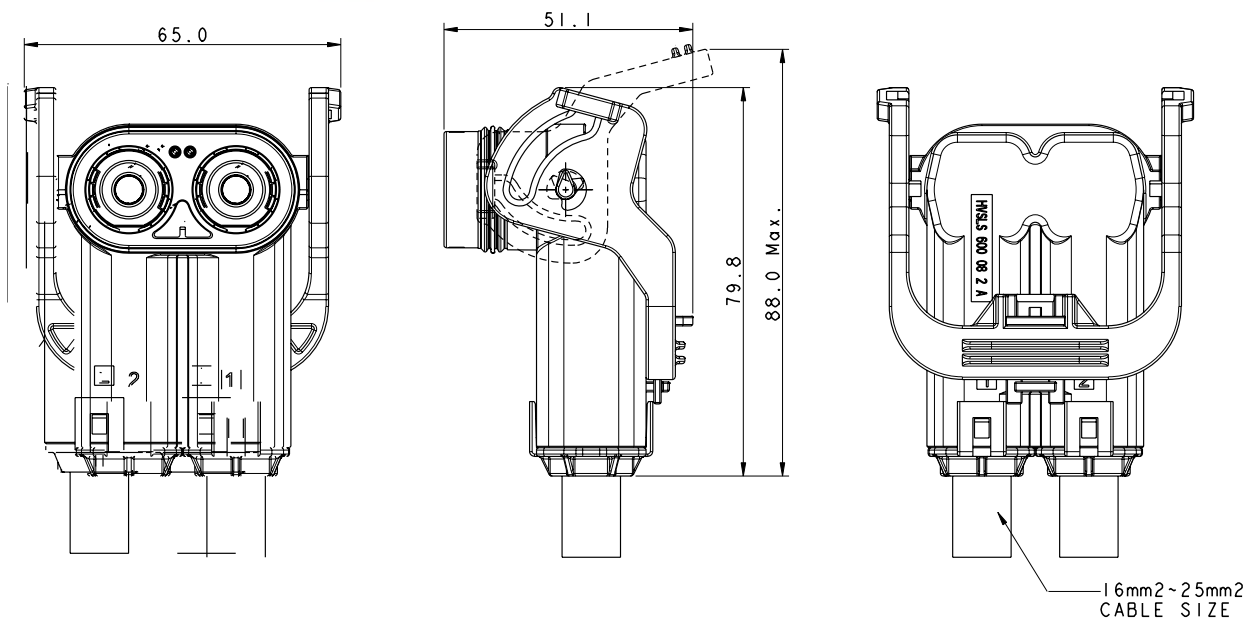
INSERT ORIENTATIONS



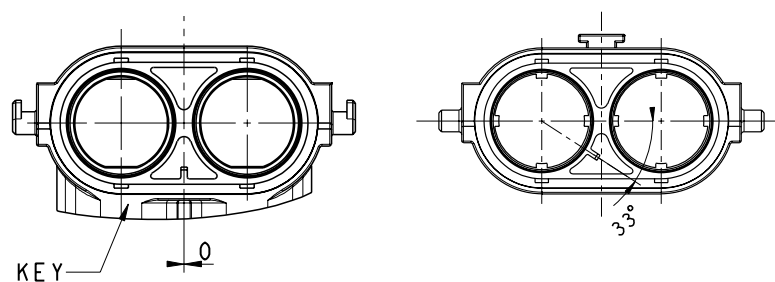
	Coding A	Coding B
P/N	HVSL S600 06 2 A	HVSL S600 06 2 B

Excel|Mate Metal (HVSL S 600)

2 PIN RIGHT ANGLE PLUG

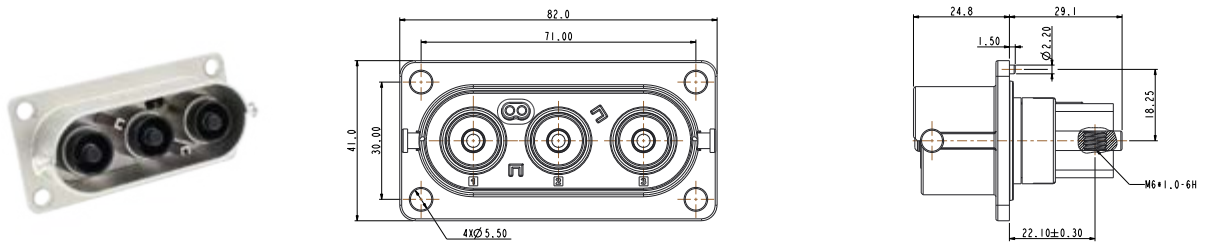


INSERT ORIENTATIONS

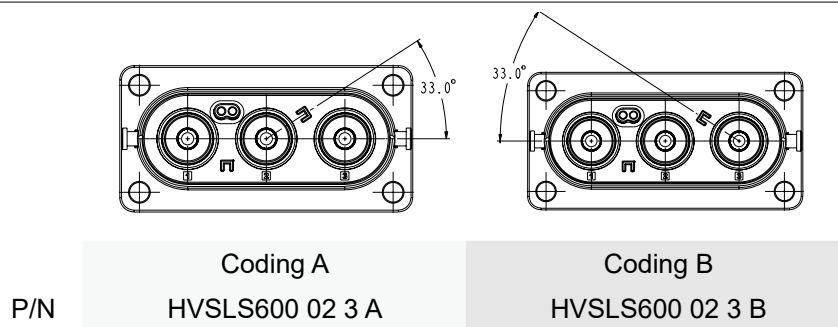


	Coding A	Coding B
P/N	HVSL S 600 08 2 A	HVSL S 600 08 2 B

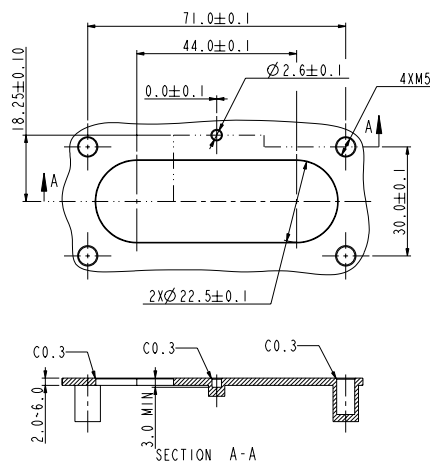
3 PIN RECEPTACLE



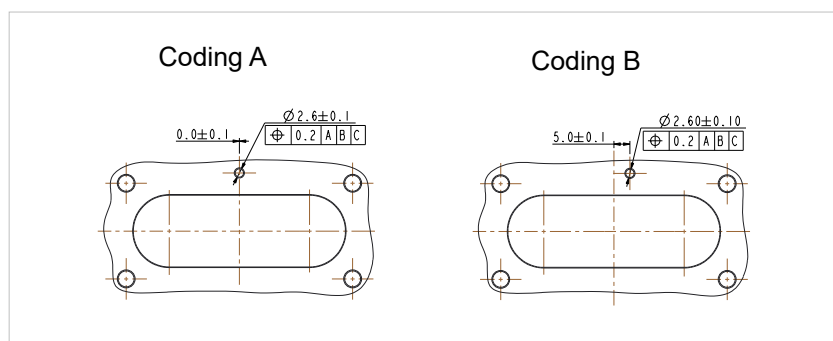
INSERT ORIENTATIONS



PANEL MOUNTING DIMENSIONS

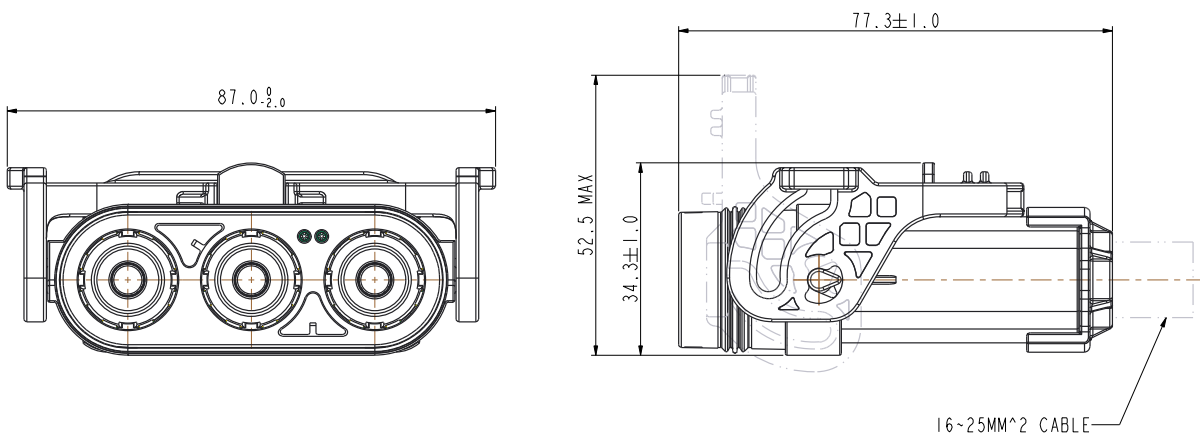


INSERT ORIENTATIONS

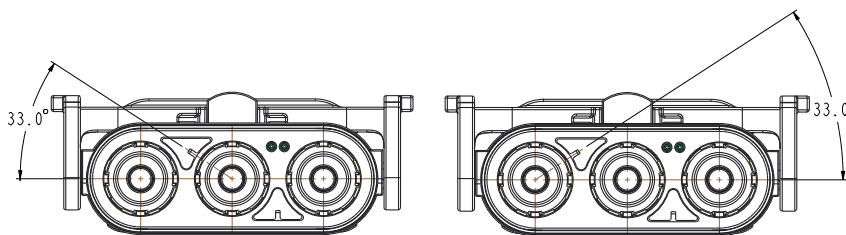


Excel|Mate Metal (HVSL5 600)

3 PIN STRAIGHT PLUG

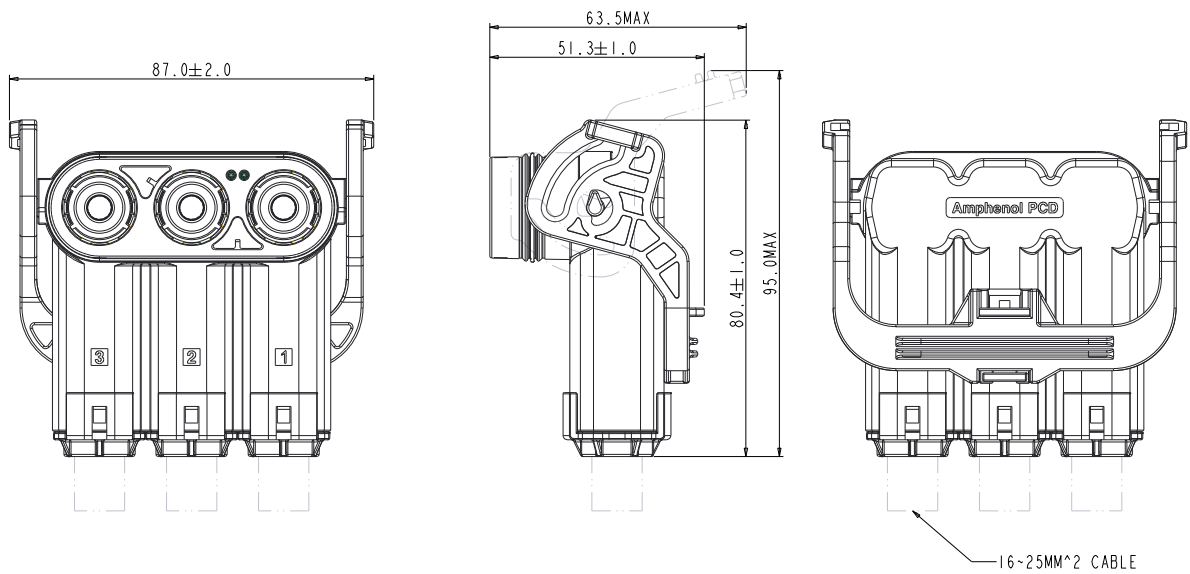


INSERT ORIENTATIONS

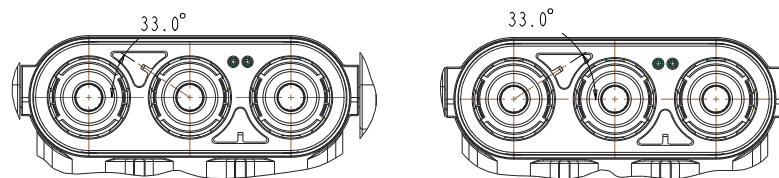


	Coding A	Coding B
P/N	HVSL5600 06 3 A	HVSL5600 06 3 B

3 PIN RIGHT ANGLE PLUG

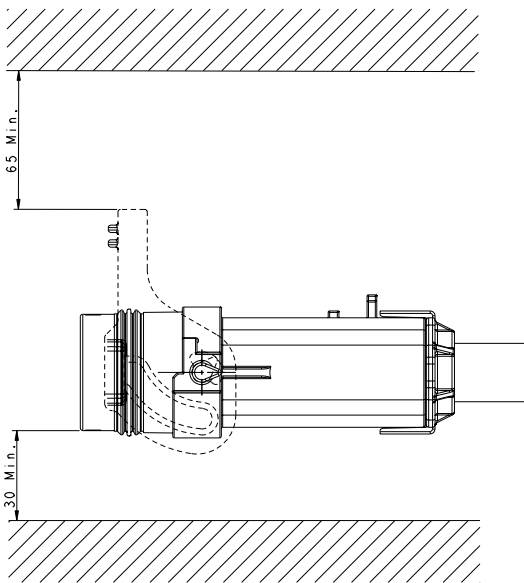


INSERT ORIENTATIONS



	Coding A	Coding B
P/N	HVLS600 08 2 A	HVLS600 08 2 B

INSTALLATION CLEARANCE



TOOL FOR RIGHT ANGLE PLUGS

Tool for locking contacts: HVSLP033002



Remark:

Customer needs to use fixture HVSLP033002 with Stanley torque wrench sleeve (purchased by the customer) for assembling the finish product HVSLS600082.

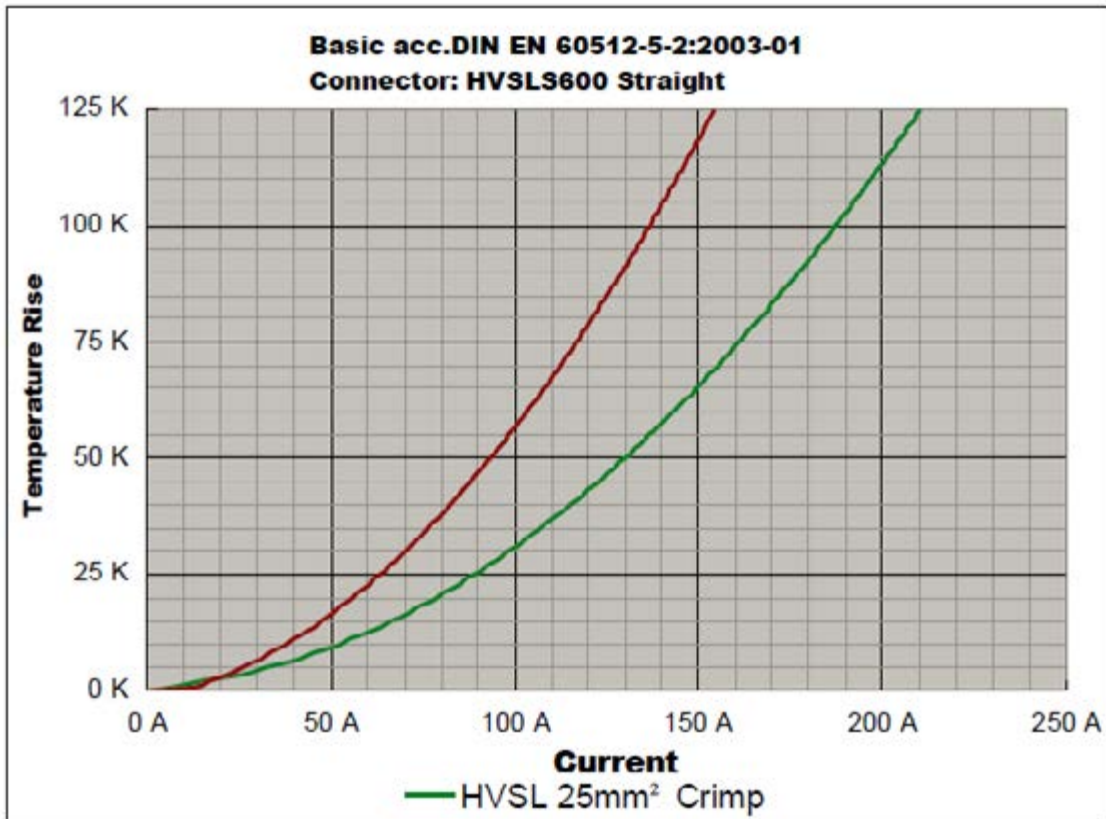
HOW TO ORDER: PLUG

	HVSLS600	06	2	A	0	16
Product type:	06: Straight plug 08: Right angle plug					
Position:	2: 2 position 3: 3 position					
Coding / Alternate position:	A: Coding A B: Coding B					
Interlock:	0: Without interlock 1: With interlock					
Cable size:	16: 16mm ² cable 25: 25mm ² cable					

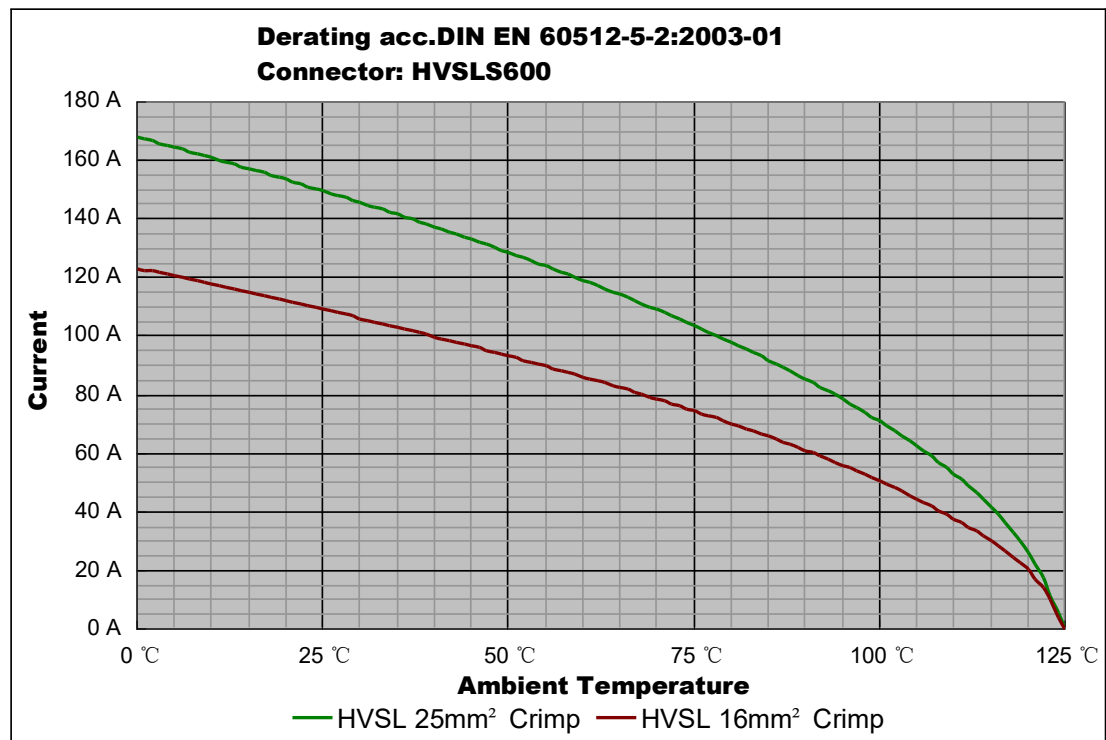
HOW TO ORDER: RECEPTACLE

	HVSLS600	02	2	A	0	H6
Product type:	02: Box mounted receptacle					
Position:	2: 2 position 3: 3 position					
Coding / Alternate position:	A: Coding A B: Coding B					
Interlock:	0: Without interlock 1: With interlock					
Cable size:	H6: OT terminal					

HVSL 600 | Temperature Rise



HVSL 600 | Derating Curve



Remark: tests carried out on the complete connector.

EXCEL | MATE Metal (HVSL S 800)

EXCEL | MATE Metal (HVSL S800)



EXCEL | MATE Metal

EXCEL | MATE Metal is a 2 pin connector with a current carrying capacity of 180A and 25 to 50mm² crimping cable.

Specially designed for battery, inverters, junction boxes, power distribution boxes and others HEV devices' equipment.

KEY FEATURES

Integrated internal HVIL

Current rating up to 180A @ ambient temperature 70°C

No tool required to unmate

Sealing, IP67 (mated), IP6K9K

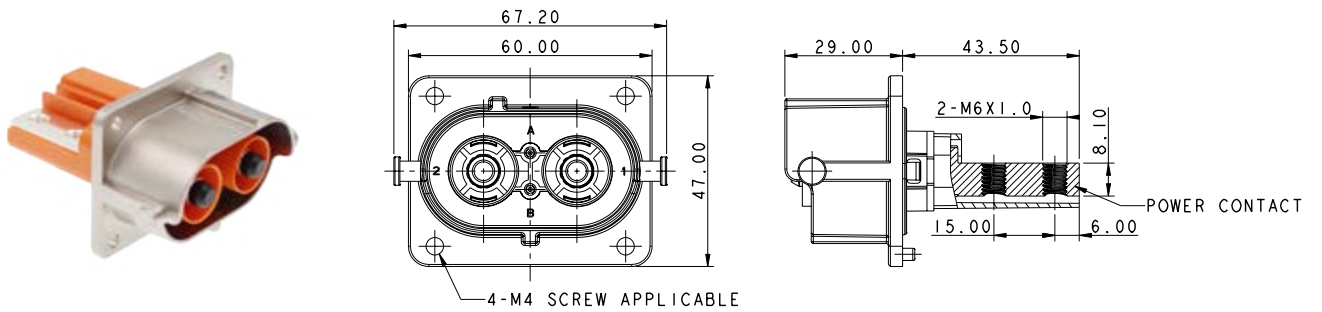
Touch-proof, IP2XB

Multiple coding positions

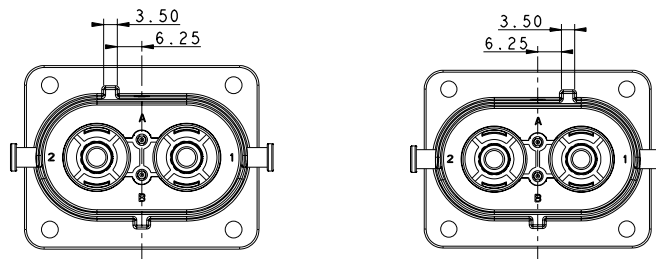
CPA available

MECHANICAL	
Durability	≥ 50 mating cycles
Wire range	25 to 50 mm ² shielded wire
Insertion and extraction force	< 100N
Connection type	Copper bar
HVIL	Integrated
CPA	Available
ELECTRICAL	
Rated voltage	1000V DC
Rated current	180A Max @ ambient temperature 70°C
Insulator resistance	> 100MΩ
Dielectric withstand voltage	3000V AC
Shielding	360° from wire to device
ENVIRONMENTAL	
Sealing	IP67, IP6K9K (mated)
Touch-proof	IP2XB
Temperature range	-40°C to 125°C
Salt spray	96 hours
STANDARDS	
USCAR-2	
USCAR-37	
LV-215	
RoHS	
MATERIAL	
Terminals	Copper/copper alloy with silver plating
Housing	Aluminium alloy

RECEPTACLE

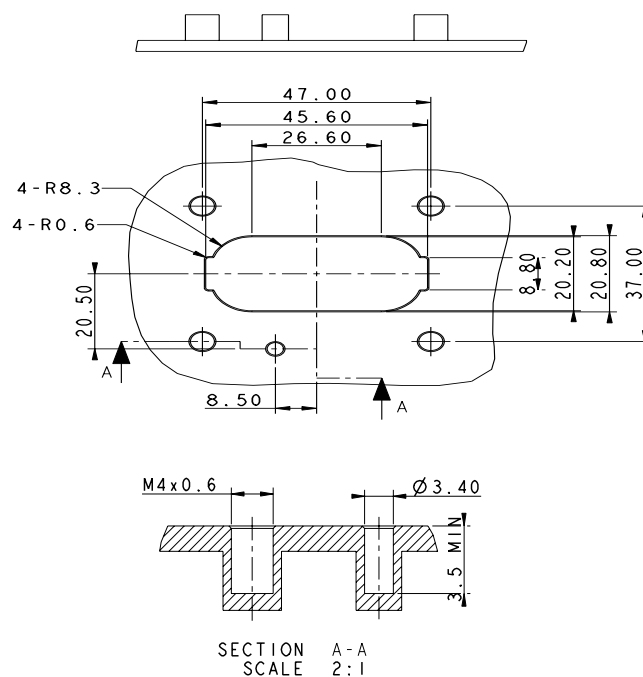


INSERT ORIENTATIONS

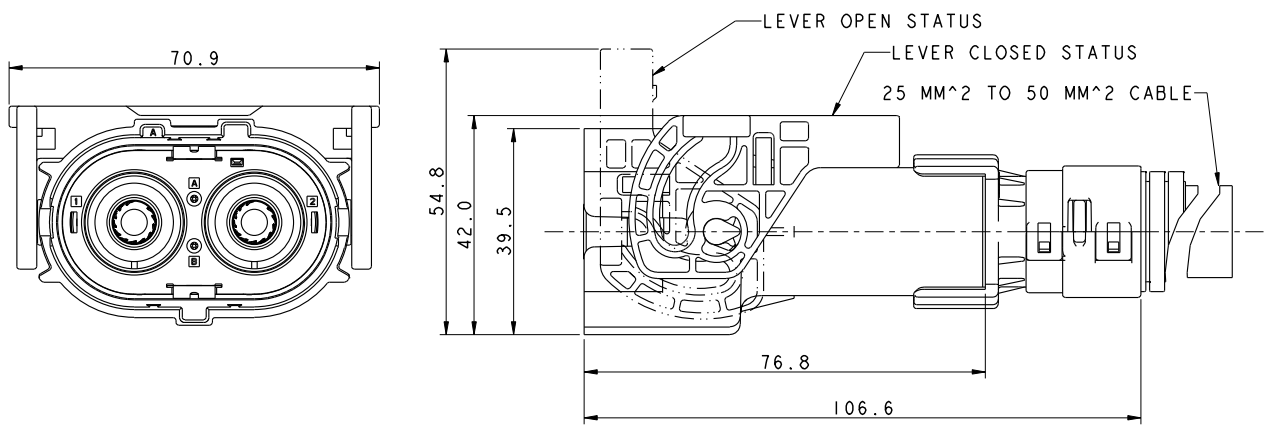


	Coding A	Coding B
P/N	HVSL800 02 2 A	HVSL800 02 2 B

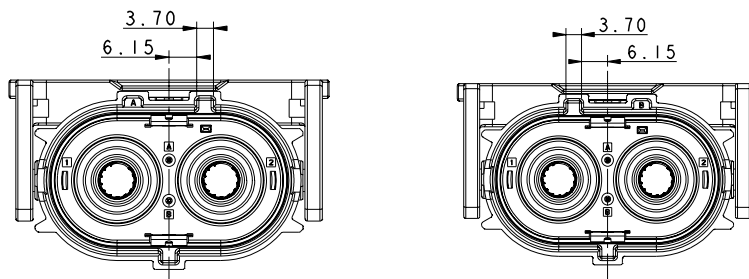
PANEL MOUNTED DIMENSIONS



STRAIGHT PLUG



INSERT ORIENTATIONS



P/N

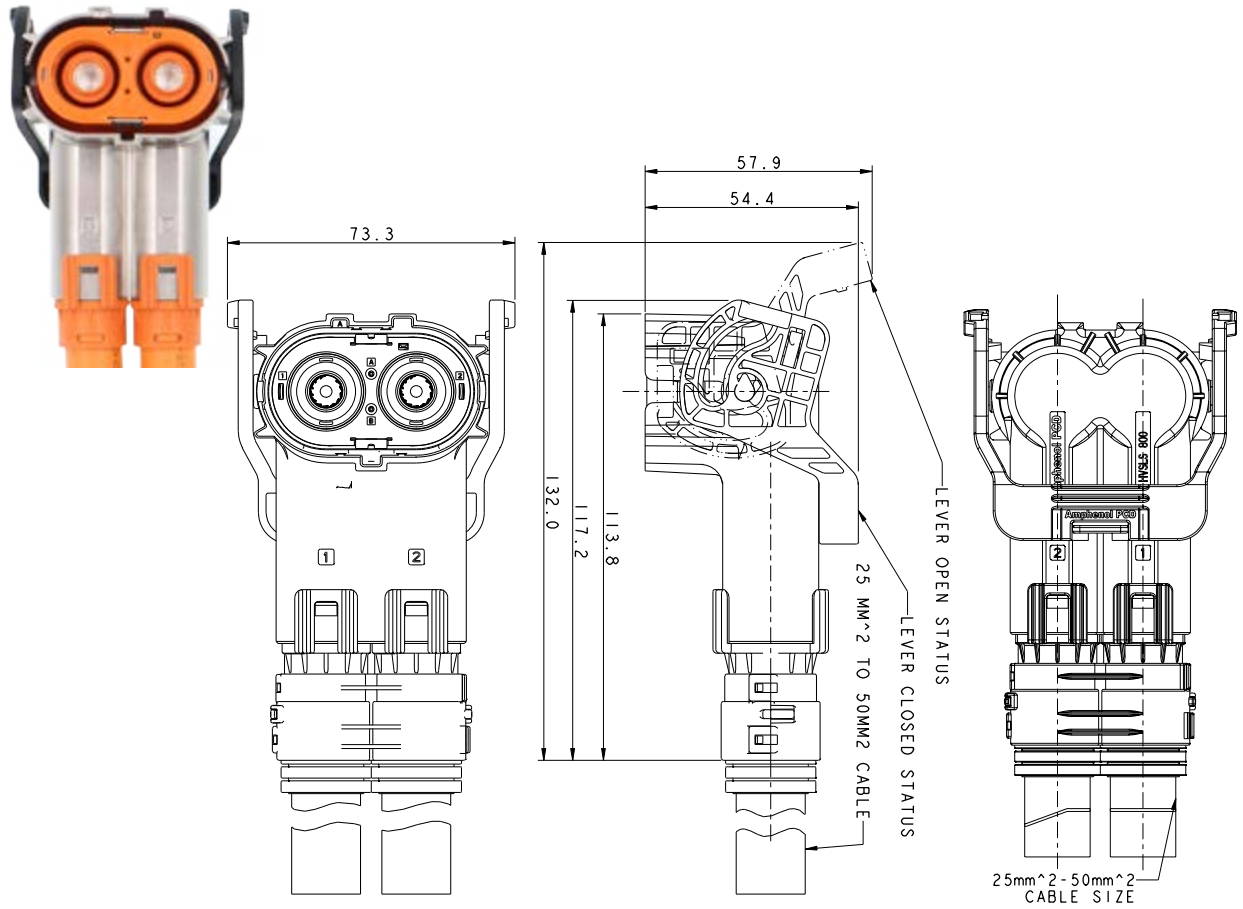
Coding A

HVSL S800 06 2 A

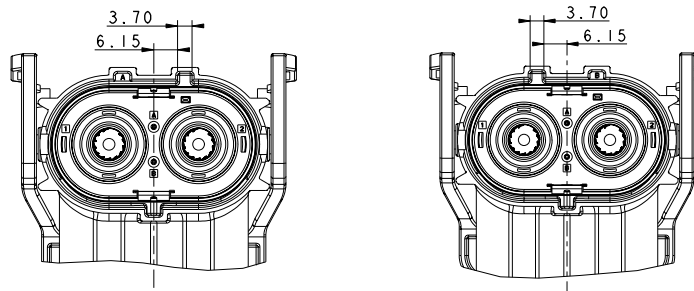
Coding B

HVSL S800 06 2 B

PLUG RIGHT ANGLE

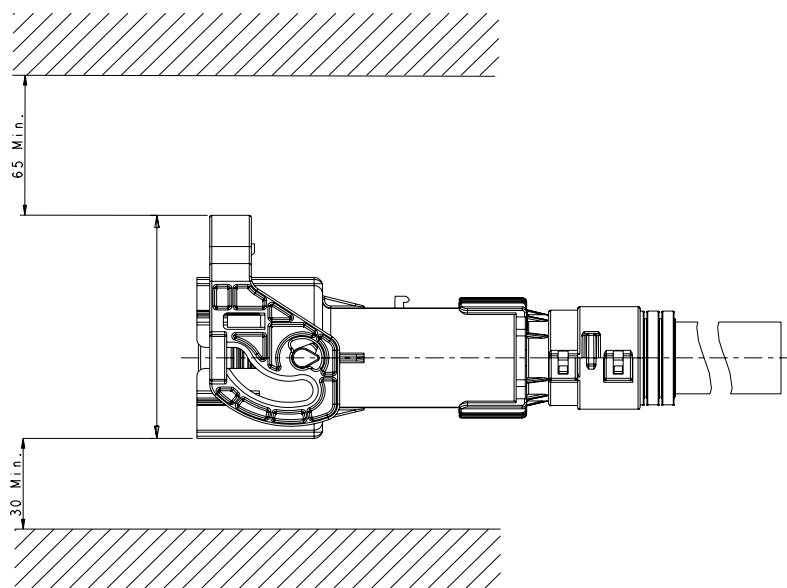


INSERT ORIENTATIONS



	Coding A	Coding B
P/N	HVSL800 08 2 A	HVSL800 08 2 B

INSTALLATION CLEARANCE



HOW TO ORDER: PLUG

	HVSL800	06	2	A	0	35
Product type:	06: Straight plug 08: Right angle plug					
Position:	2: 2 position					
Coding / Alternate position:	A: Coding A B: Coding B					
Interlock:	0: Without interlock 1: With interlock					
Cable size:	25: 25mm ² cable 35: 35mm ² cable 50: 50mm ² cable					

HOW TO ORDER: RECEPTACLE

	HVSL800	02	2	A	0	H6
Product type:	02: Box mounted receptacle					
Position:	2: 2 position					
Coding / Alternate position:	A: Coding A B: Coding B					
Interlock:	0: Without interlock 1: With interlock					
Cable size:	H6: OT terminal					

Excel|Mate Eco (HVSL60A)



HVSL60A

HVSL60A is a single pin connector with a current carrying capacity of 120A and 25mm² crimping cable. It can be utilized with multi-core or individually shielded wire. An integrated internal HVIL with multiple routing options allows package size optimization and flexibility.

KEY FEATURES

Integrated internal HVIL

Current rating up to 120A @ ambient temperature 70°C

Two-stage, tool or thumb activated latching

No tool required to unmate

Sealing, IP67 (mated), IP6K9K

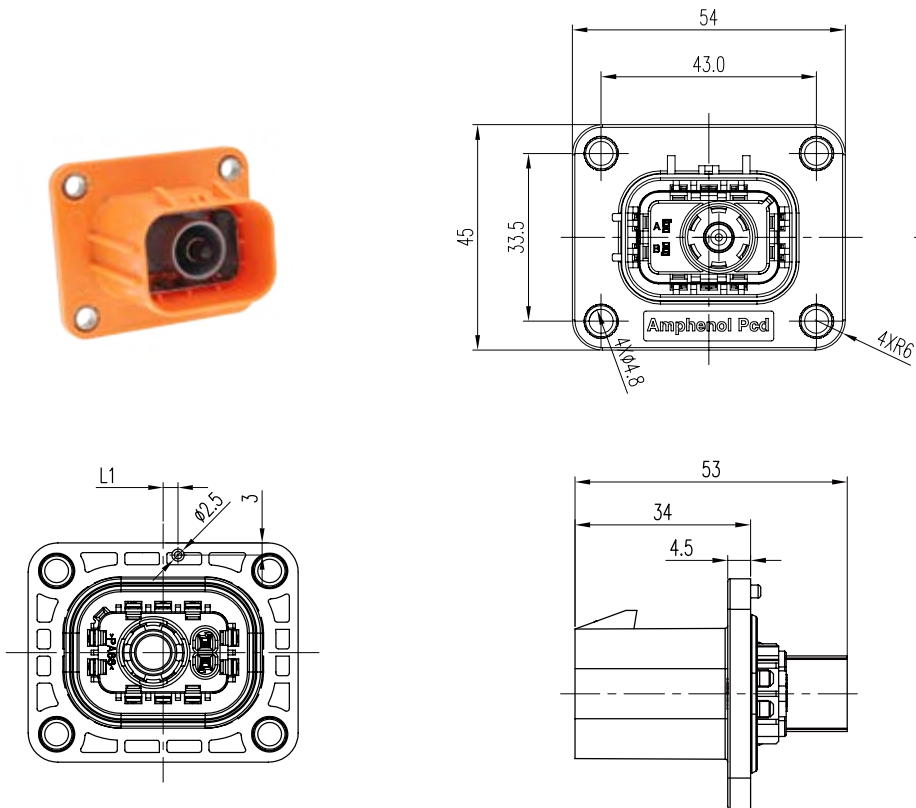
Touch-proof, IP2XB

Multiple coding positions

CPA available

MECHANICAL	
Durability	≥ 50 mating cycles
Wire range	25mm ² shielded wire
Insertion and extraction force	< 100N
Connection type	Crimping or bus-bar
Latching style	Two stage, finger actuated
HVIL	Integrated
CPA	Available
ELECTRICAL	
Rated voltage	1000V DC
Rated current	120A @ ambient temperature 70°C
Insulator resistance	> 100MΩ
Dielectric withstand voltage	3000V AC
Shielding	360° from wire to device
ENVIRONMENTAL	
Sealing	IP67, IP6K9K (mated)
Touch-proof	IP2XB
Temperature range	-40°C to 125°C
STANDARDS	
USCAR-2	
USCAR-37	
LV-215	
RoHS	
MATERIAL	
Terminals	Copper/copper alloy with silver plating
Housing	PA66 + GF

RECEPTACLE

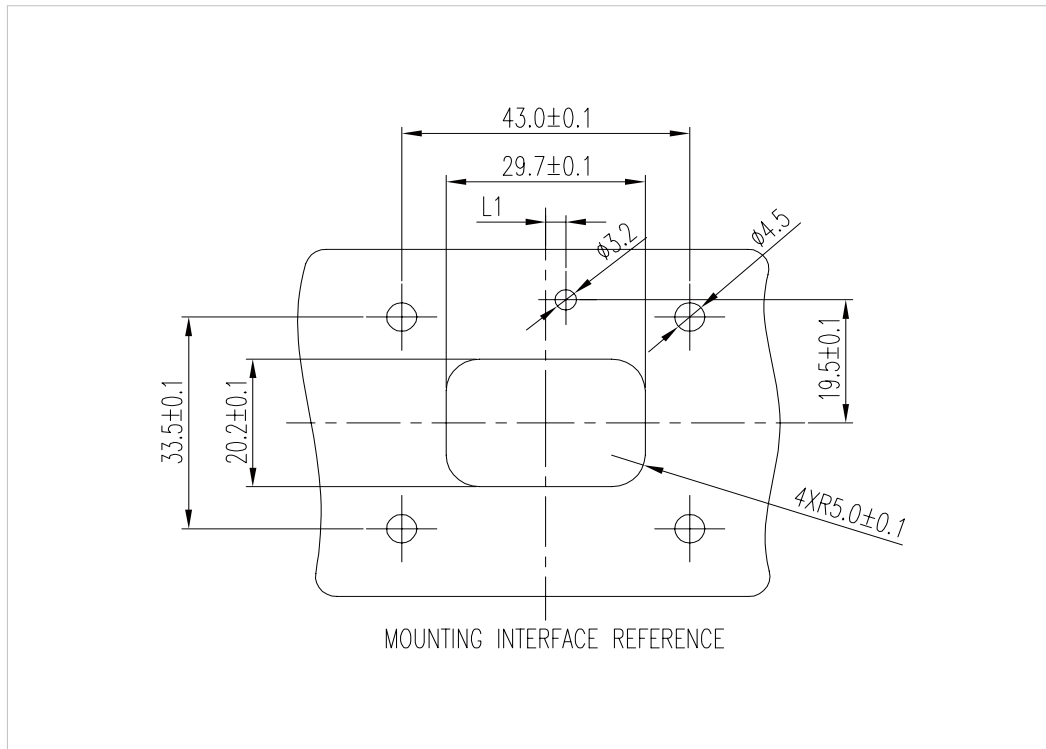


CONTACTS

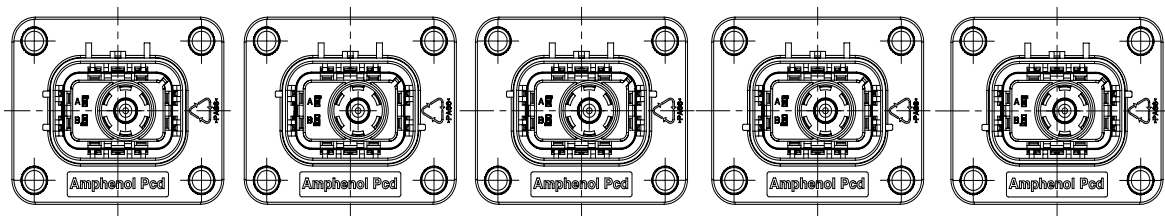
All connectors do not include contacts. Please order them separately (ref: P/N below)		
Pin contact: crimping	Pin contact: end with bus-bar	Pin signal contact (HVIL)
P/N: C420003621	P/N: C420003625	P/N: C310003613S
25mm ² unshielded wire	OT terminal	0.5mm ² unshielded wire

PANEL MOUNTING DIMENSIONS

CODING	A	B	C	D	E
L1 (Panel mount)	0	-3	-6	3	6



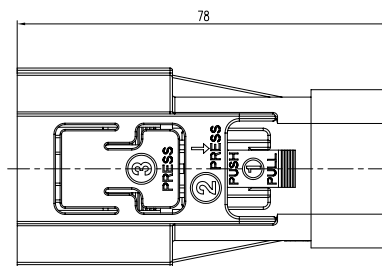
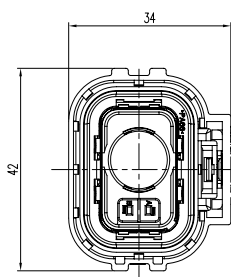
INSERT ORIENTATIONS



	Coding A	Coding B	Coding C	Coding D	Coding E
P/N	HVSL60A 02 A	HVSL60A 02 B	HVSL60A 02 C	HVSL60A 02 D	HVSL60A 02 E

Excel|Mate Eco (HVSL 60A)

PLUG

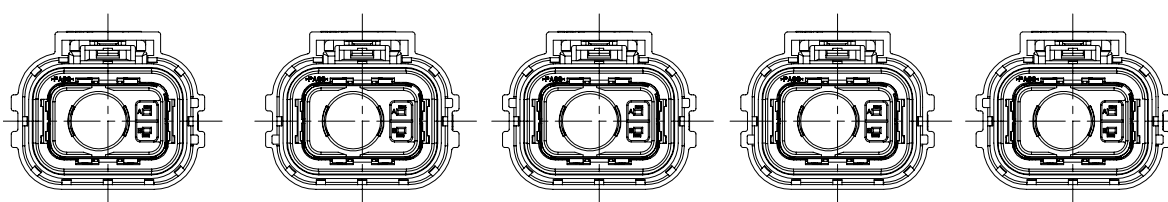


CONTACTS

All connectors do not include contacts. Please order them separately (ref: P/N below)

Socket contact	Socket signal contact (HVIL)
P/N: C420003620	P/N: C310003614S
25mm ² shielded wire	0.5mm ² unshielded wire

INSERT ORIENTATIONS



	Coding A	Coding B	Coding C	Coding D	Coding E
P/N	HVSL600 06 1 A	HVSL600 06 1 B	HVSL600 06 1 C	HVSL600 06 1 D	HVSL600 06 1 E

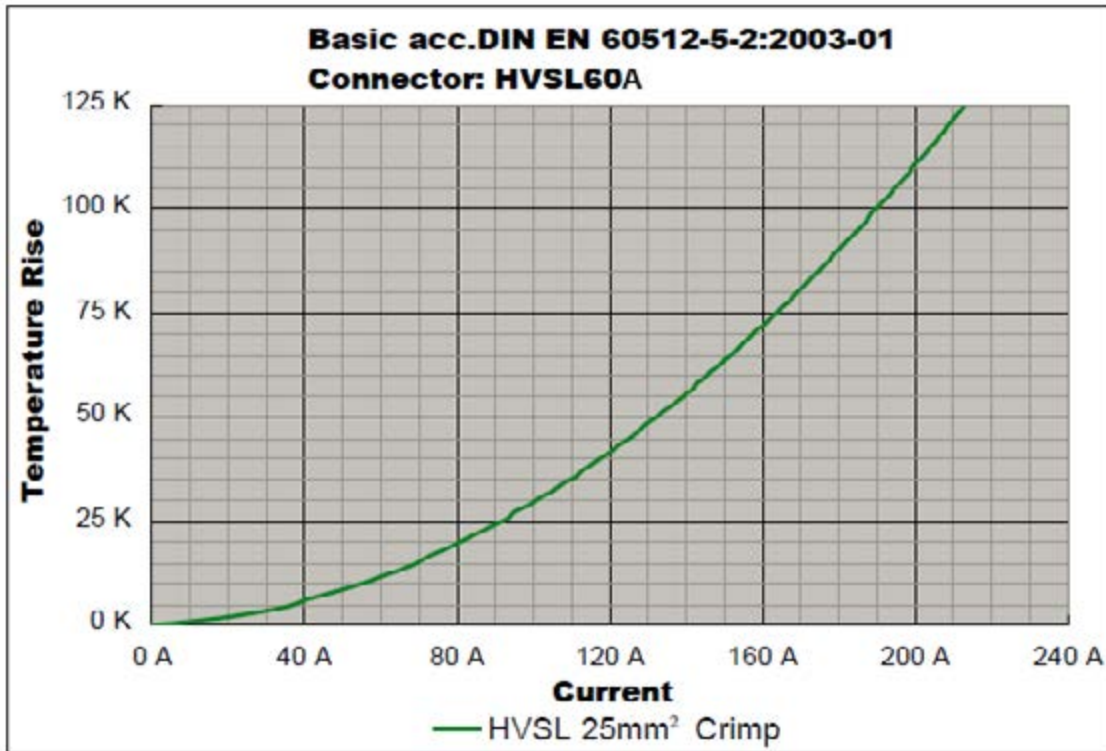
HOW TO ORDER: PLUG

	HVSL60A	06	1	A	10
Product type:	06: Straight plug				
Position:	1: 1 position				
Coding / Alternate position:	A: Coding A B: Coding B C: Coding C D: Coding D E: Coding E				
Sealing gasket:	10: Wire OD 9.8 to 10.5 mm 11: Wire OD 10.6 to 11.5 mm 12: Wire OD 11.6 to 12.5 mm 13: Wire OD 12.6 to 13.0 mm				

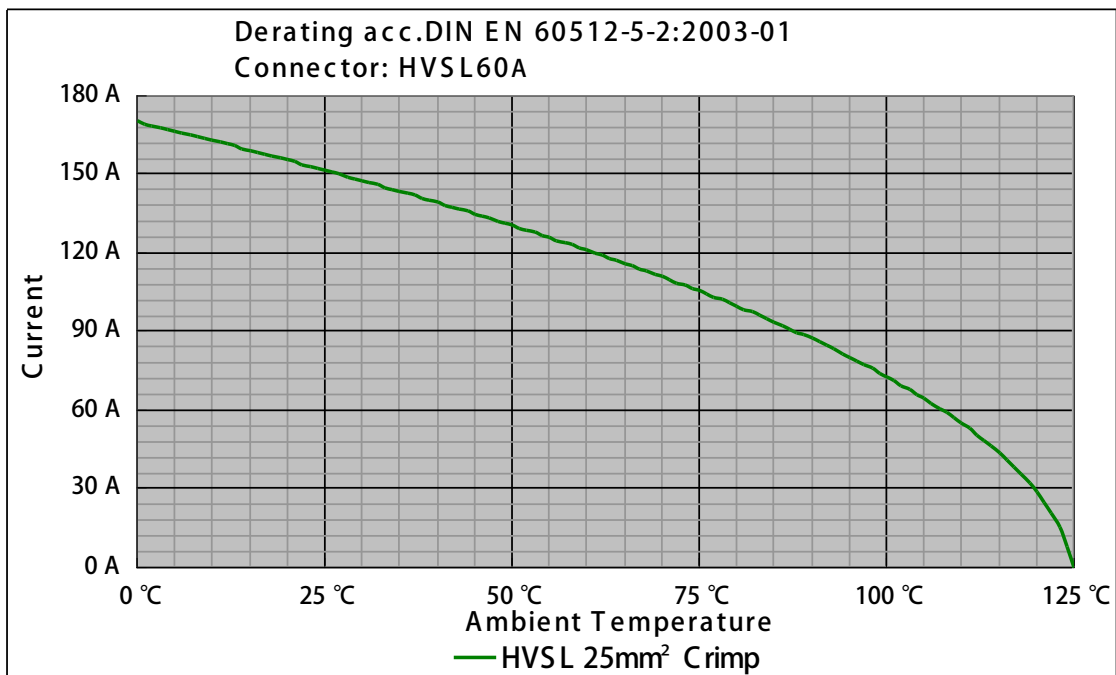
HOW TO ORDER: RECEPTACLE

	HVSL60A	02	1	A	25
Product type:	02: Box mounted receptacle				
Position:	1: 1 position				
Coding / Alternate position:	A: Coding A B: Coding B C: Coding C D: Coding D E: Coding E				
Cable size:	25: 25mm ² H6: OT terminal				

HVSL 60A | Temperature Rise



HVSL 60A | Derating Curve



Remark: tests carried out on the complete connector.

Excel|Mate Eco (HVSL63A)



HVSL63A

HVSL63A is a 2 position connector with a current carrying capacity from 23 to 40A and 4 to 6mm² crimping cable.

Specially designed for DC-DC, air-conditioner, and others HEV devices' equipment.

KEY FEATURES

Integrated internal HVIL

Current rating up to 40A@ ambient temperature 70°C

Two-stage, tool or thumb activated latching

No tool required to unmate

Sealing, IP67 (mated), IP6K9K

Touch-proof, IP2XB

Multiple coding positions

CPA available

MECHANICAL

Durability	≥ 50 mating cycles
Wire range	4 to 6 mm ² shielded cable
Insertion and extraction force	< 100N
Connection type	Crimping
Latching style	Two stage, finger actuated
HVIL	Integrated
CPA	Available

ELECTRICAL

Rated voltage	1000V DC
Rated current	40A Max @ ambient temperature 70°C
Insulator resistance	> 100MΩ
Dielectric withstand voltage	3000V AC
Shielding	360° from wire to device

ENVIRONMENTAL

Sealing	IP67, IP6K9K (mated)
Touch-proof	IP2XB
Temperature range	-40°C to 125°C

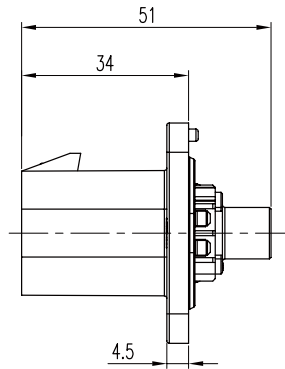
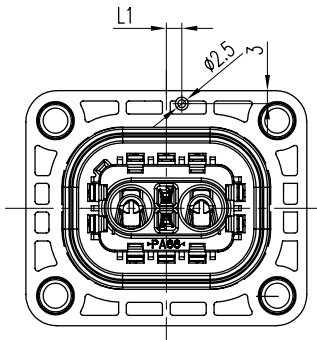
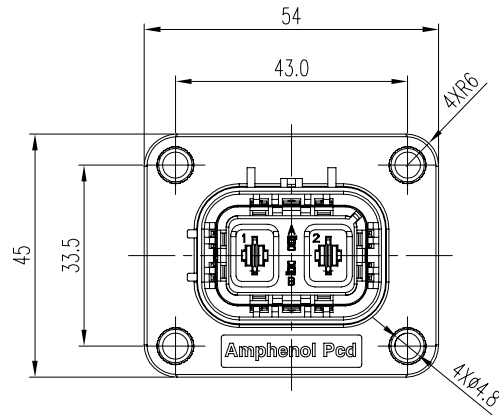
STANDARDS

USCAR-2
USCAR-37
LV-215
RoHS

MATERIAL

Terminals	Copper/copper alloy with tin plating
Housing	PA66 + GF

RECEPTACLE



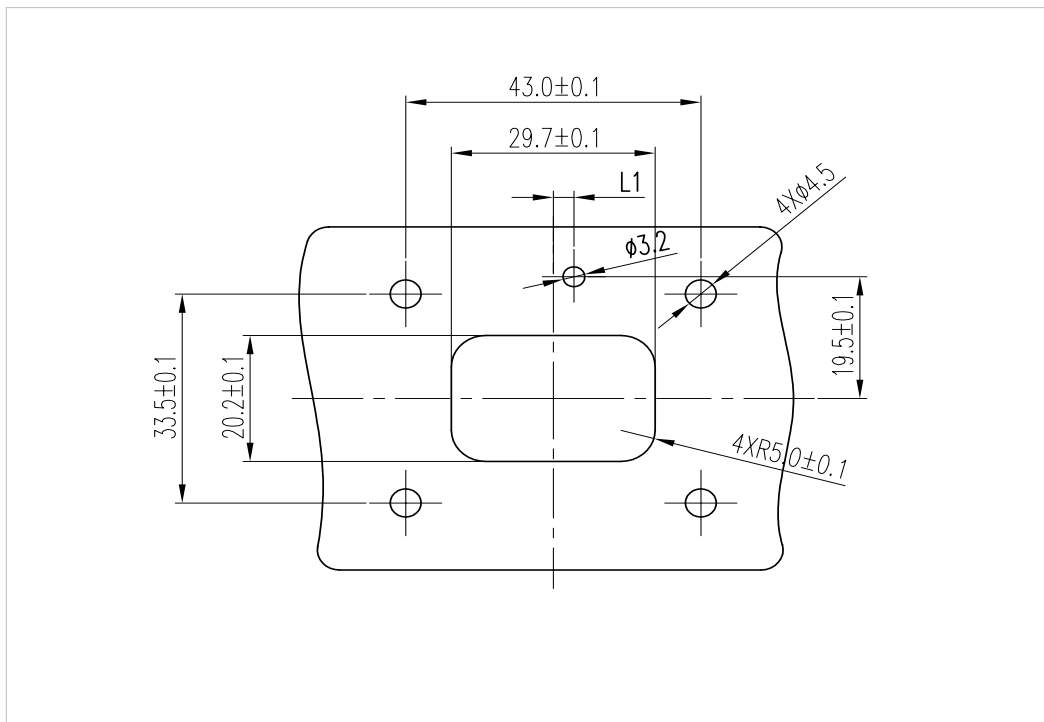
CONTACTS

All connectors do not include contacts. Please order them separately (ref: P/N below)

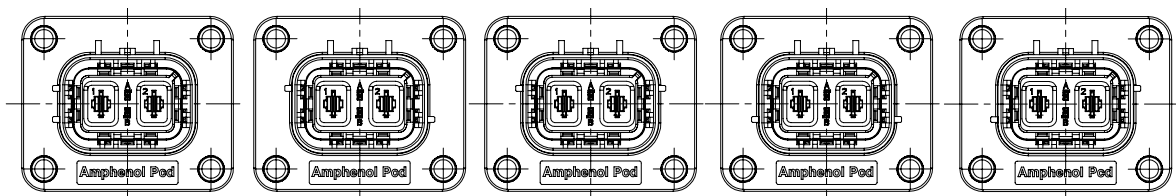
Pin contact: crimping	HVIL CONTACTS
P/N: C310003622S	P/N: C310003613S
4 to 6mm ² unshielded wire	0.5mm ² unshielded wire

PANEL MOUNTING DIMENSION

CODING	A	B	C	D	E
L1 (Panel mount)	0	-3	-6	3	6



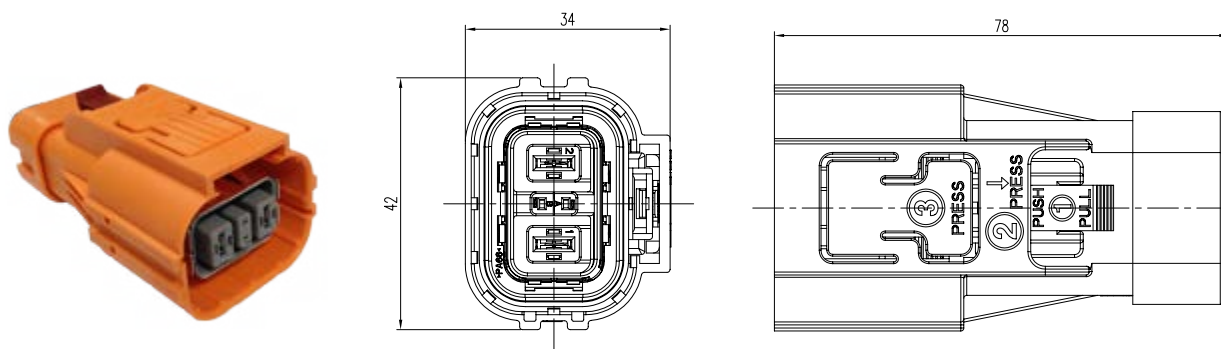
INSERT ORIENTATIONS



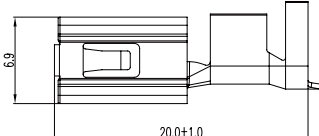
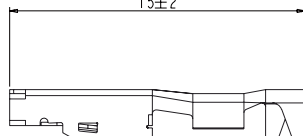
	Coding A	Coding B	Coding C	Coding D	Coding E
P/N	HVSL630 02 2 A	HVSL630 02 2 B	HVSL630 02 2 C	HVSL630 02 2 D	HVSL630 02 2 E

Excel|Mate Eco (HVSL 63A)

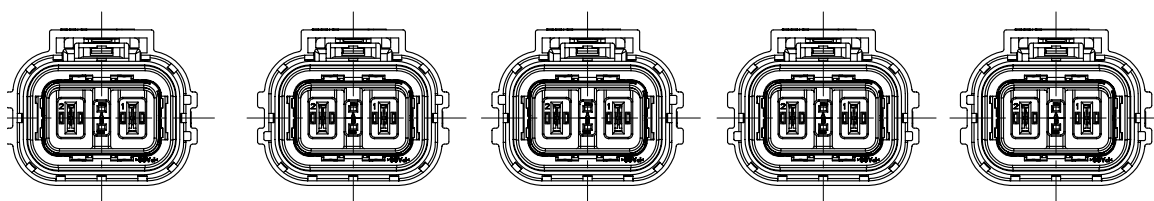
PLUG



CONTACTS

All connectors do not include contacts. Please order them separately (ref: P/N below)	
Socket contact	Socket signal contact (HVIL)
P/N: C310003623S	P/N: C310003614S
	
4 to 6mm ² shielded wire	0.5mm ² unshielded wire

INSERT ORIENTATIONS



	Coding A	Coding B	Coding C	Coding D	Coding E
P/N	HVSL63A 06 2 A	HVSL63A 06 2 B	HVSL63A 06 2 C	HVSL63A 06 2 D	HVSL63A 06 2 E

HOW TO ORDER: PLUG

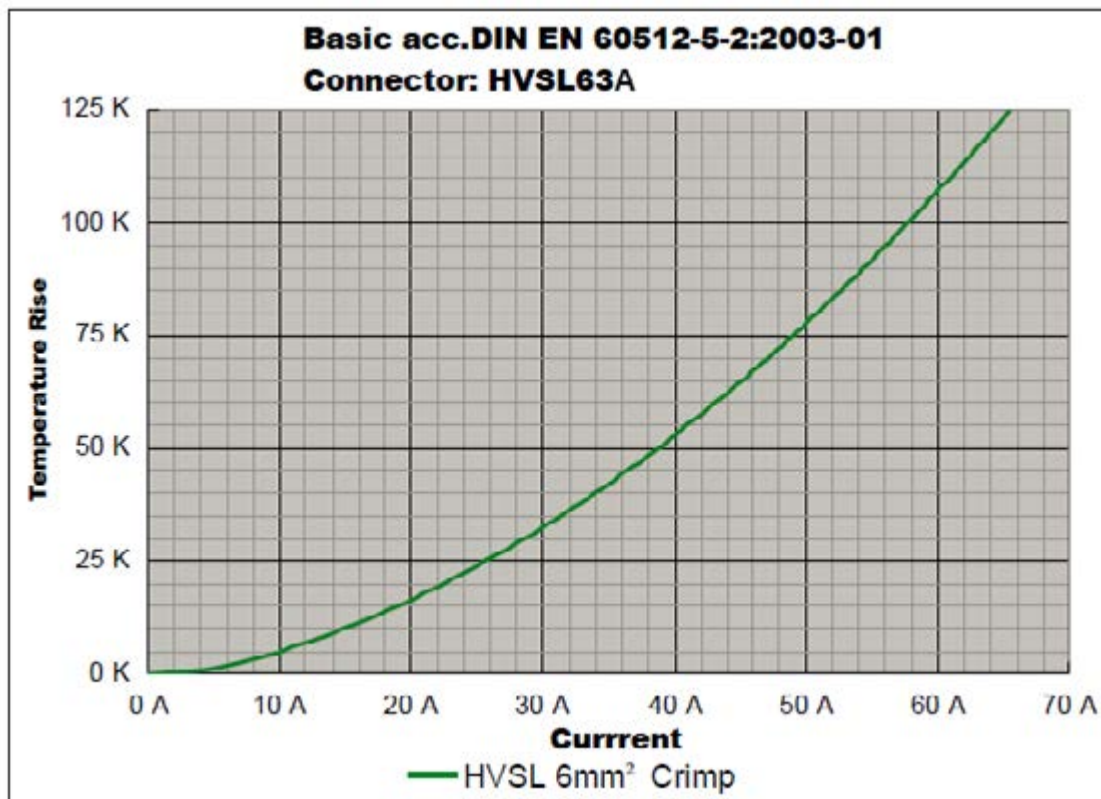
	HVSL63A	06	2	A	10
Product type:	06: Straight plug				
Position:	2: 2 positions				
Coding / Alternate position:	A: Coding A B: Coding B C: Coding C D: Coding D E: Coding E				
Cable OD:	10: Wire OD 9.8 to 10.5 mm 11: Wire OD 10.6 to 11.5 mm 12: Wire OD 11.6 to 12.5 mm 13: Wire OD 12.6 to 13.0 mm				

HOW TO ORDER: RECEPTACLE

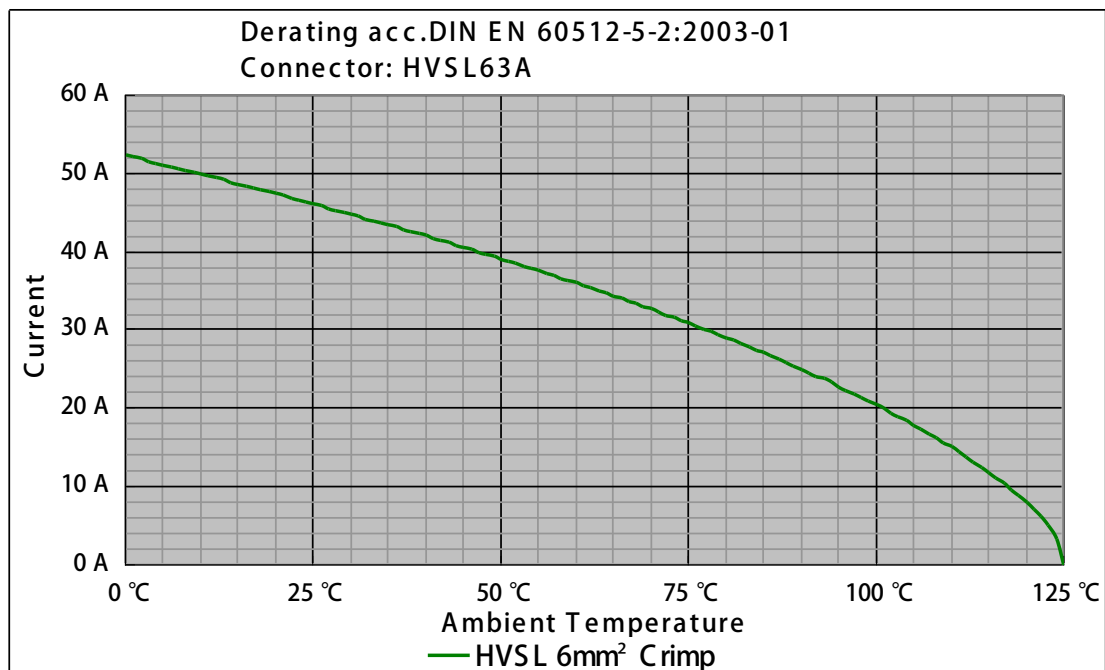
	HVSL63A	02	2	A
Product type:	02: Box mounted receptacle			
Position:	2: 2 positions			
Coding / Alternate position:	A: Coding A B: Coding B C: Coding C D: Coding D E: Coding E			

CHARTS (HVSL 63A)

HVSL 63A | Temperature Rise



HVSL 63A | Derating Curve



Remark: tests carried out on the complete connector.

EXCEL | MATE (HVSL633 3 pin connector)



HVSL633

HVSL633 is a 3 position connector with a current carrying capacity from 23 to 40A and 2.5 to 6mm² crimping cable.

Specially designed for DC-DC, air-conditioner, and others HEV devices' equipment.

KEY FEATURES

Integrated internal HVIL

Current rating up to 40A@ ambient temperature 70°C

Two-stage, tool or thumb activated latching

No tool required to unmate

Sealing, IP67 (mated), IP6K9K

Touch-proof, IP2XB

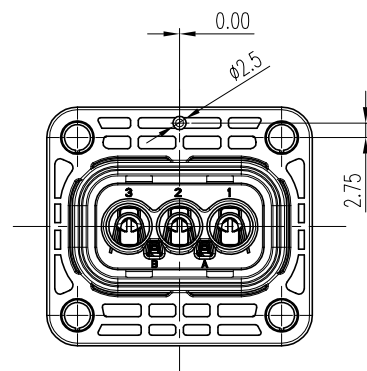
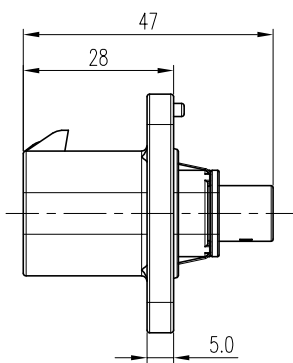
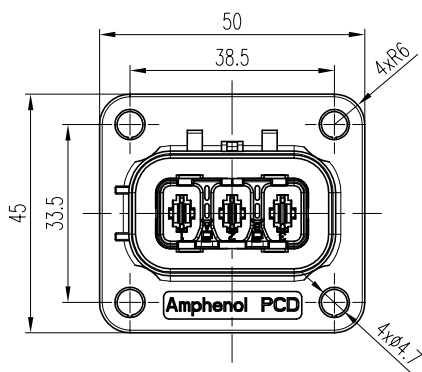
Multiple coding positions

CPA available

MECHANICAL	
Durability	≥ 50 mating cycles
Wire range	2.5 to 6 mm ² shielded wire (2.5mm ² only for plug)
Insertion and extraction force	< 100N
Connection type	Crimping
Latching style	Two stage, finger actuated
HVIL	Integrated
CPA	Available
ELECTRICAL	
Rated voltage	1000V DC
Rated current	40A Max @ ambient temperature 70°C
Insulator resistance	> 100MΩ
Dielectric withstand voltage	3000V AC
Shielding	360° from wire to device
ENVIRONMENTAL	
Sealing	IP67, IP6K9K (mated)
Touch-proof	IP2XB
Temperature range	-40°C to 125°C
STANDARDS	
USCAR-2	
USCAR-37	
LV-215	
RoHS	
MATERIAL	
Terminals	Copper/copper alloy
Housing	PA66 + GF

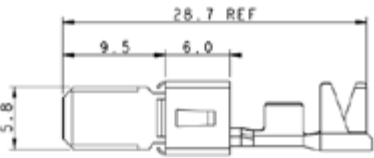
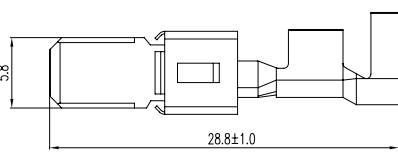
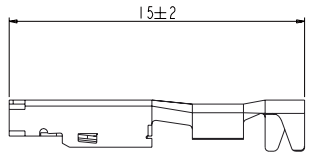
Excel|Mate Eco (HVSL 633)

RECEPTACLE HVSL633

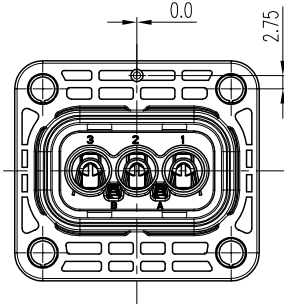
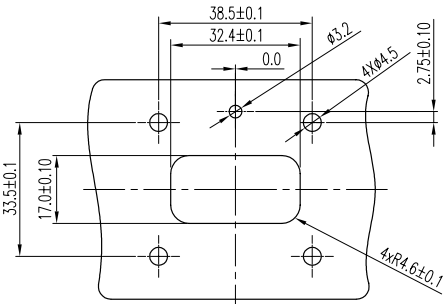
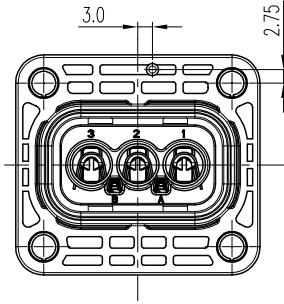
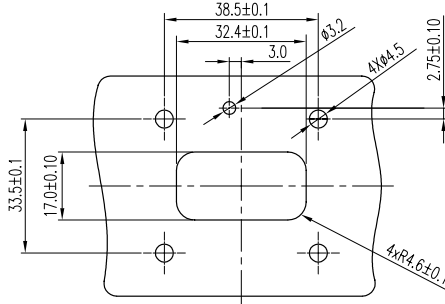
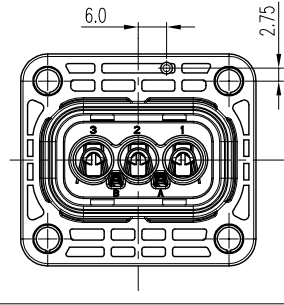
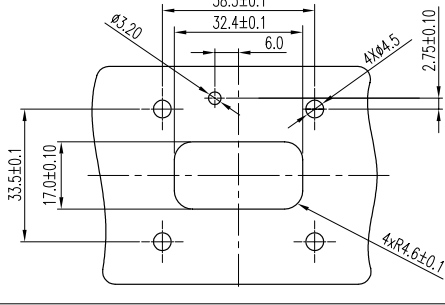
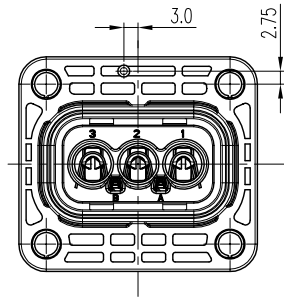
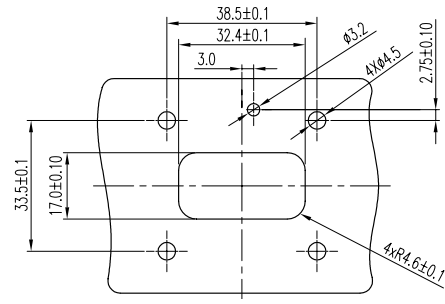
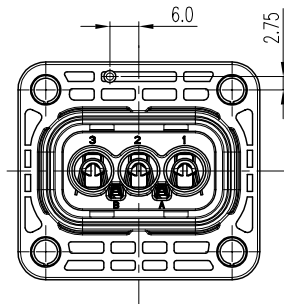
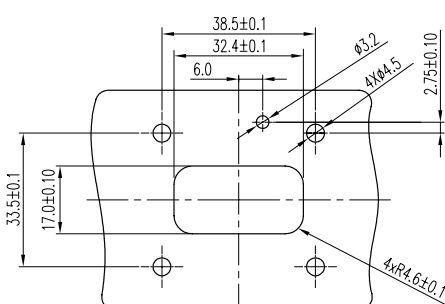


CONTACTS

All connectors do not include contacts. Please order them separately (ref: P/N below)

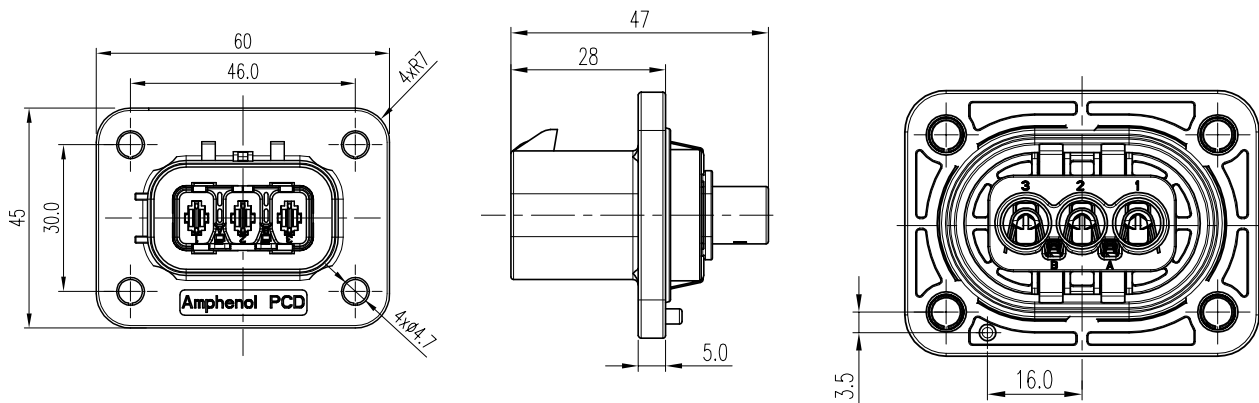
All connectors do not include contacts. Please order them separately (ref: P/N below)		
Pin contact: crimping	Pin contact: crimping	Socket signal contact (HVIL)
P/N: C310023505	P/N: C310003622S	P/N: C310003614S
		
2.5mm ² unshielded wire	4 to 6mm ² unshielded wire	0.5mm ² unshielded wire

PANEL MOUNTING DIMENSION

PART NUMBER	INSERT ORIENTATION	PANEL MOUNTING DIMENSION
HVSL633 023 A		
HVSL633 023 B		
HVSL633 023 C		
HVSL633 023 D		
HVSL633 023 E		

Excel|Mate Eco (HVSL C 633)

RECEPTACLE HVSLC633



CONTACTS

All connectors do not include contacts. Please order them separately (ref: P/N below)

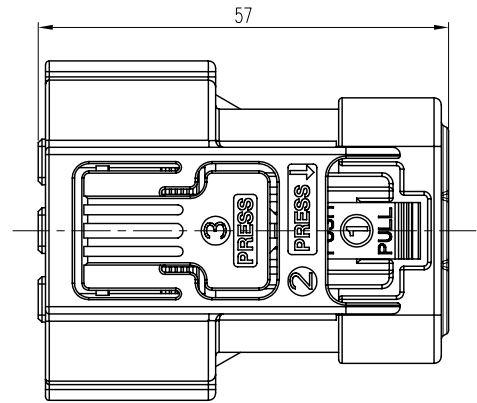
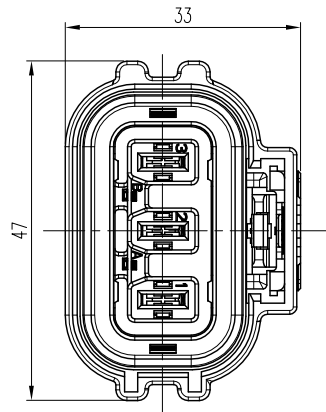
Pin contact: crimping	Pin contact: crimping	Socket signal contact (HVIL)
P/N: C310023505	P/N: C310003622S	P/N: C310003614S
2.5mm ² unshielded wire	4 to 6mm ² unshielded wire	0.5mm ² unshielded wire

PANEL MOUNTING DIMENSION

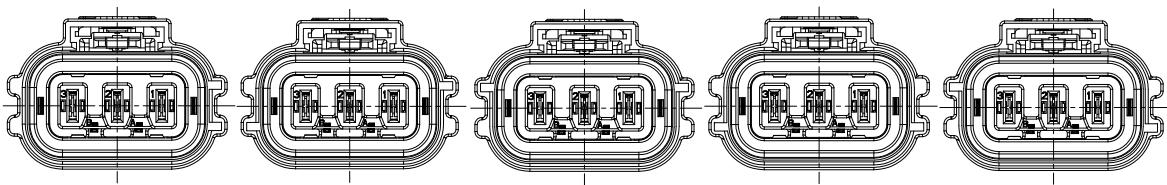
PART NUMBER	INSERT ORIENTATIONS	PANEL MOUNTED DIMENSION
HVSLC633 023 A		
HVSLC633 023 B		
HVSLC633 023 C		
HVSLC633 023 D		

Excel|Mate Eco (HVSL 633)

PLUG



INSERT ORIENTATIONS



	Coding A	Coding B	Coding C	Coding D	Coding E
P/N	HVSL633 06 3 A	HVSL633 06 3 B	HVSL633 06 3 C	HVSL633 06 3 D	HVSL633 06 3 E

CONTACTS

All connectors do not include contacts. Please order them separately (ref: P/N below)

Socket contact: crimping	Socket contact: crimping	HVIL contacts
P/N: C310023506	P/N: C310003623S	Integrated, no need to buy.
2.5mm ² shielded wire	4 to 6mm ² shielded wire	

HOW TO ORDER: PLUG

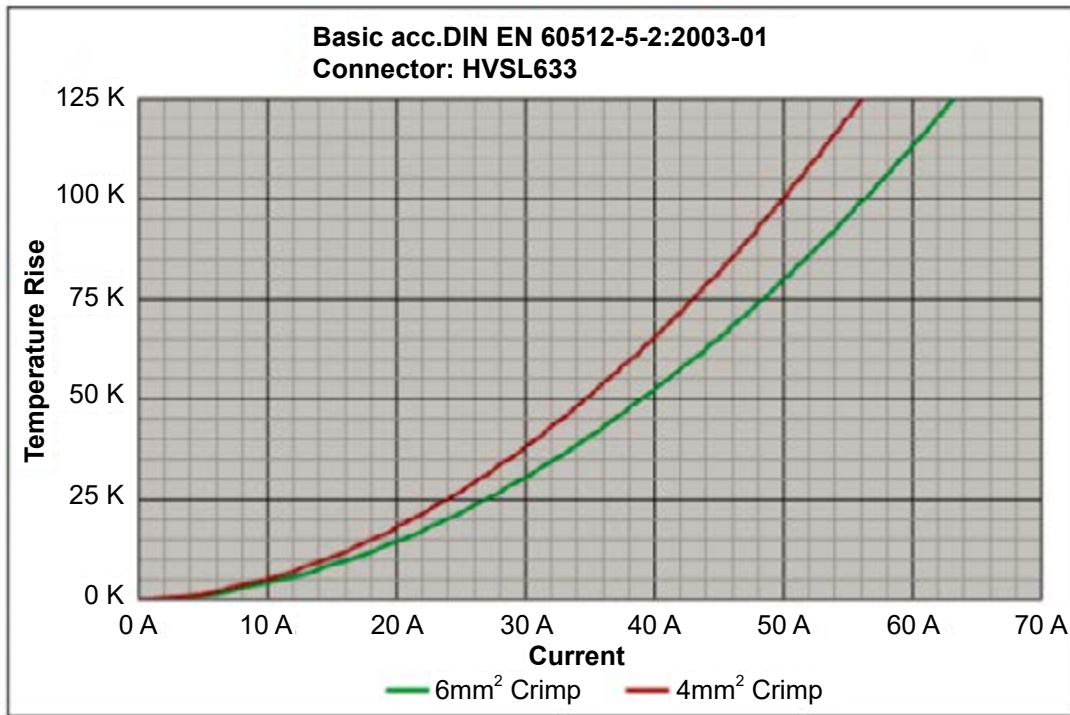
	HVSL633	06	3	A	0	04	I
Product type:	06: Straight plug						
Position:	3: 3 positions						
Coding / Alternate position:	A: Coding A B: Coding B C: Coding C D: Coding D E: Coding E						
Interlock:	0: Without interlock 1: With shunted interlock 2: With pass through interlock						
Cable size:	03: 2.5mm ² 04: 4mm ² 06: 6mm ²						
Wire type:	I: Individually shielded wire						

HOW TO ORDER: RECEPTACLES

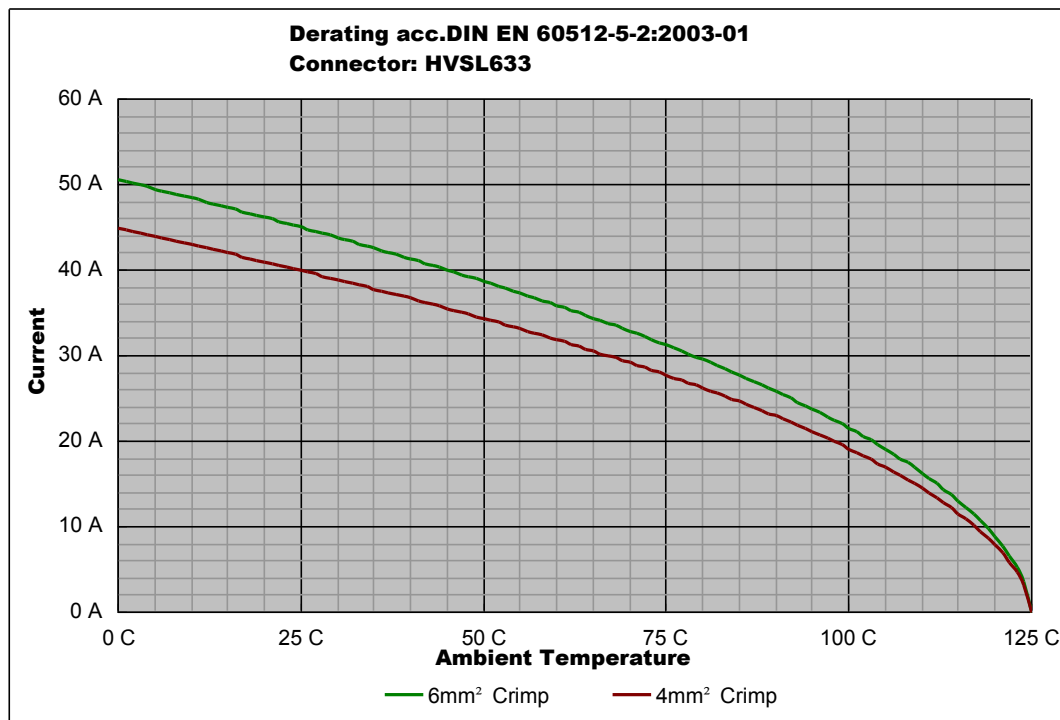
	HVSL633	02	3	A
Product type:	02: Box mounted receptacle			
Position:	3: 3 positions			
Coding / Alternate position:	A: Coding A B: Coding B C: Coding C D: Coding D E: Coding E			

	HVSLC633	02	3	A
Product type:	02: Box mounted receptacle			
Position:	3: 3 positions			
Coding / Alternate position:	A: Coding A B: Coding B C: Coding C D: Coding D			

HVSL 633 | Temperature Rise



HVSL 633 | Derating Curve



Remark: tests carried out on the complete connector.

Excel|Mate Eco (HVSL28A)



HVSL28A

HVSL28A is a 3 position connector with plastic housing, high voltage, integrated HVIL. It provides a current carrying capacity from 16 to 32A and 2.5 to 4mm² crimping cable.

Specially designed for DC-DC, air-conditioner, and other equipment in HEV device applications.

KEY FEATURES

Integrated internal HVIL

Current rating up to 32A@ ambient temperature 70°C

Two-stage, tool or thumb activated latching

No tool required to unmate

Sealing, IP67 (mated), IP6K9K

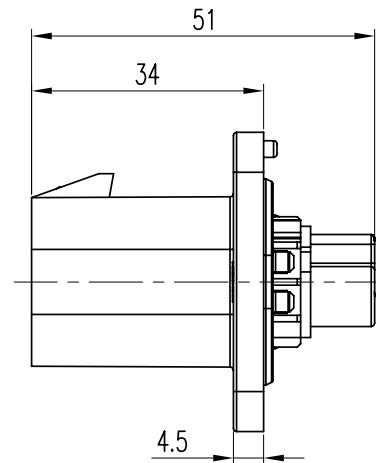
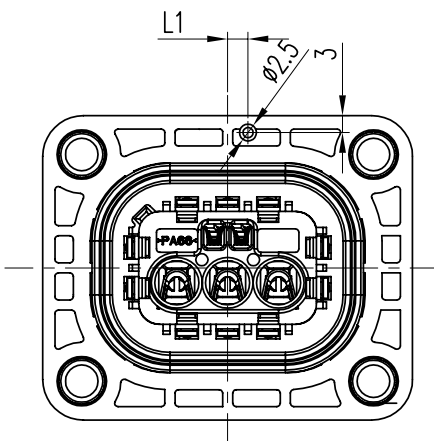
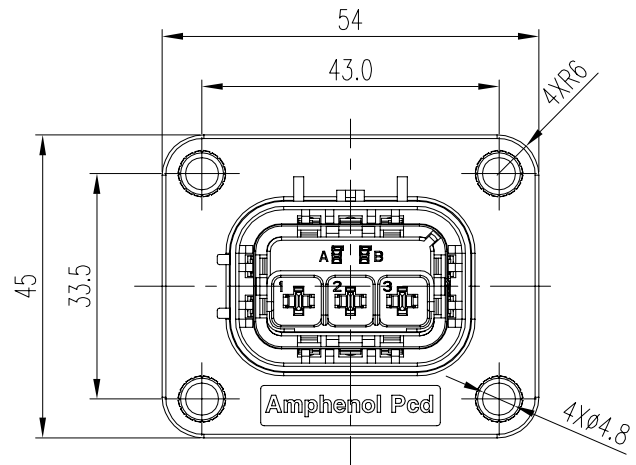
Touch-proof, IP2XB

Multiple coding positions

CPA available

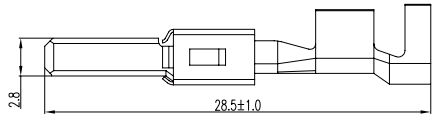
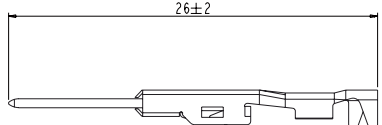
MECHANICAL	
Durability	≥ 50 mating cycles
Wire range	2.5 to 4 mm ² shielded wire
Insertion and extraction force	< 100N
Connection type	Crimping
Latching style	Two stage, finger actuated
HVIL	Integrated
CPA	Available
ELECTRICAL	
Rated voltage	1000V DC
Rated current	32A Max @ ambient temperature 70°C
Insulator resistance	> 100MΩ
Dielectric withstand voltage	3000V AC
Shielding	360° from wire to device
ENVIRONMENTAL	
Sealing	IP67, IP6K9K (mated)
Touch-proof	IP2XB
Temperature range	-40°C to 125°C
STANDARDS	
USCAR-2	
USCAR-37	
LV-215	
RoHS	
MATERIAL	
Terminals	Copper/copper alloy
Housing	PA66 + GF

RECEPTACLE



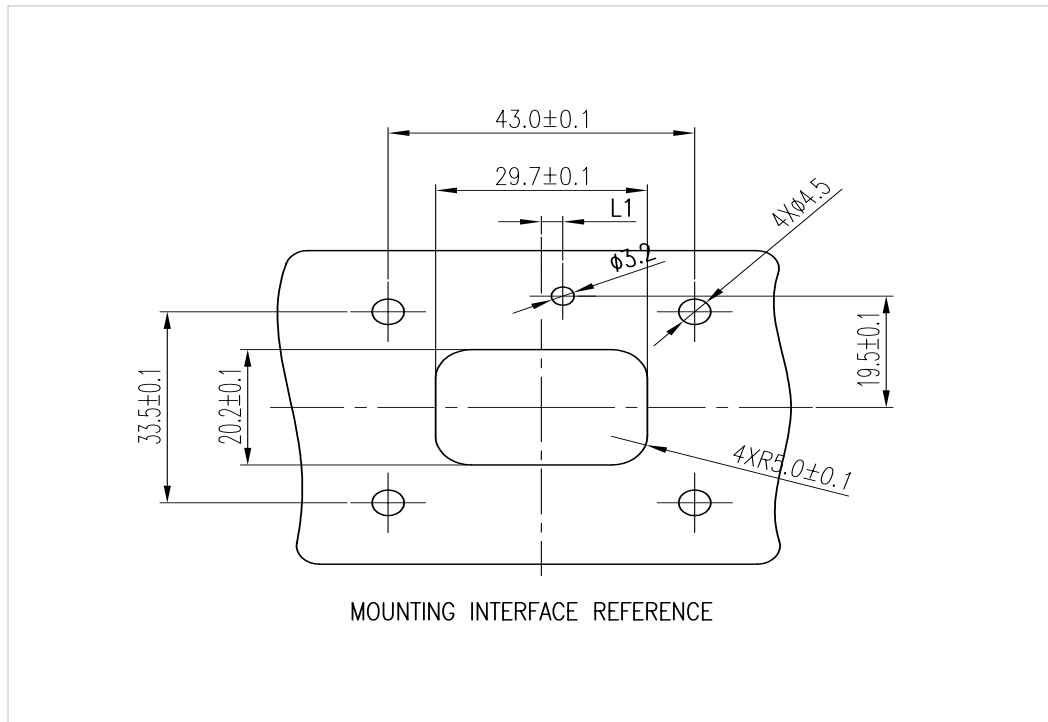
CONTACTS

All connectors do not include contacts. Please order them separately (ref: P/N below)

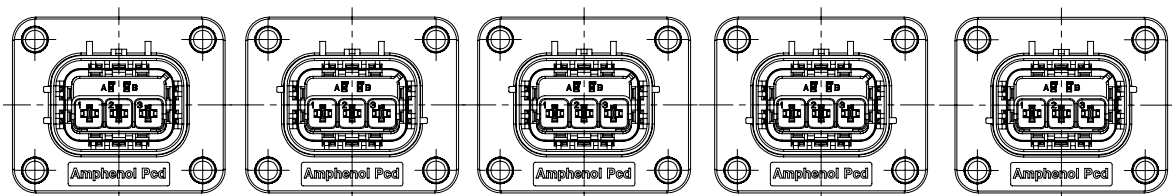
Pin contact: crimping P/N: C310003611S	Pin signal contact (HVIL) P/N: C310003613S
	
2.5 to 4mm ² unshielded wire	0.5mm ² unshielded wire

PANEL MOUNTING DIMENSION

CODING	A	B	C	D	E
L1 (Panel mount)	0	-3	-6	3	6



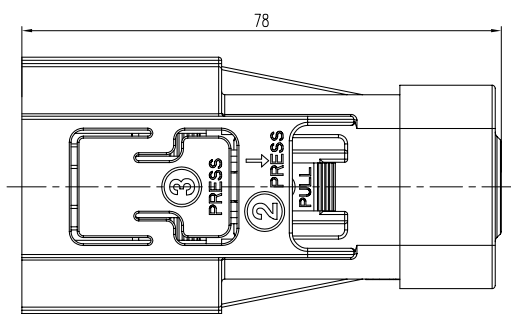
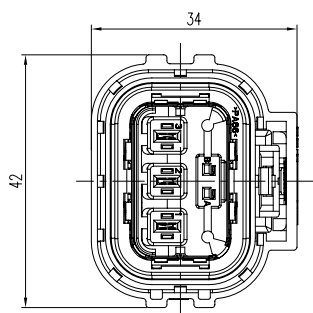
INSERT ORIENTATIONS



	Coding A	Coding B	Coding C	Coding D	Coding E
P/N	HVSL28A 02 3 A	HVSL28A 02 3 B	HVSL28A 02 3 C	HVSL28A 02 3 D	HVSL28A 02 3 E

Excel|Mate Eco (HVSL 28A)

PLUG

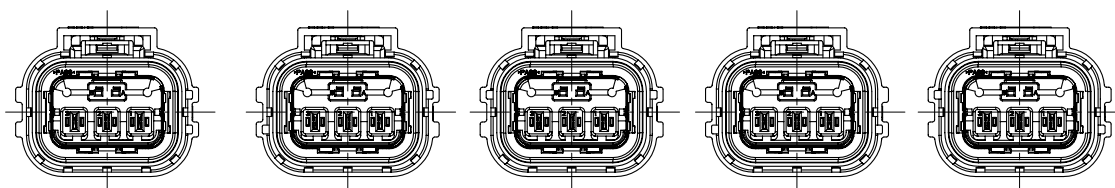


CONTACTS

All connectors do not include contacts. Please order them separately (ref: P/N below)

Socket contact	Socket signal contact (HVIL)
P/N: C310003612S	P/N: C310003614S
2.5 to 4mm ² shielded wire	0.5mm ² unshielded wire

INSERT ORIENTATIONS



	Coding A	Coding B	Coding C	Coding D	Coding E
P/N	HVSL28A 06 3 A	HVSL28A 06 3 B	HVSL28A 06 3 C	HVSL28A 06 3 D	HVSL28A 06 3 E

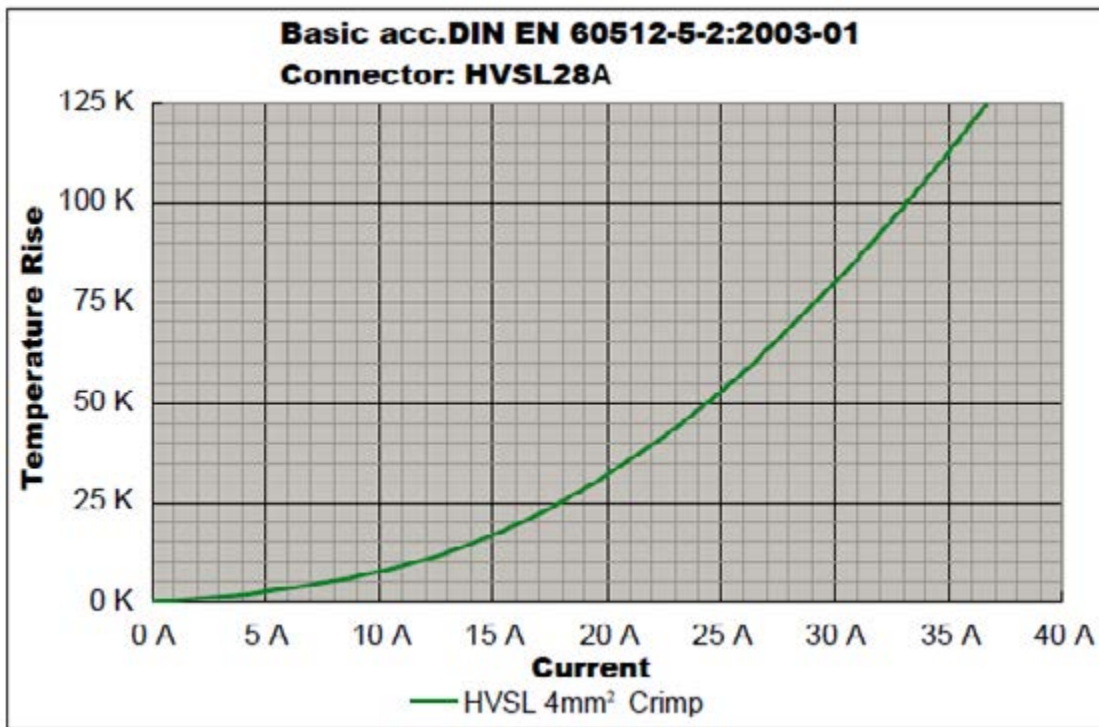
HOW TO ORDER: PLUG

		HVSL28A	06	3	A	10
Product type:	06: Straight plug					
Position:	3: 3 positions					
Coding / Alternate position:	A: Coding A B: Coding B C: Coding C D: Coding D E: Coding E					
Cable OD:	10: Wire OD 9.8 to 10.5 mm 11: Wire OD 10.6 to 11.5 mm 12: Wire OD 11.6 to 12.5 mm 13: Wire OD 12.6 to 13.0 mm					

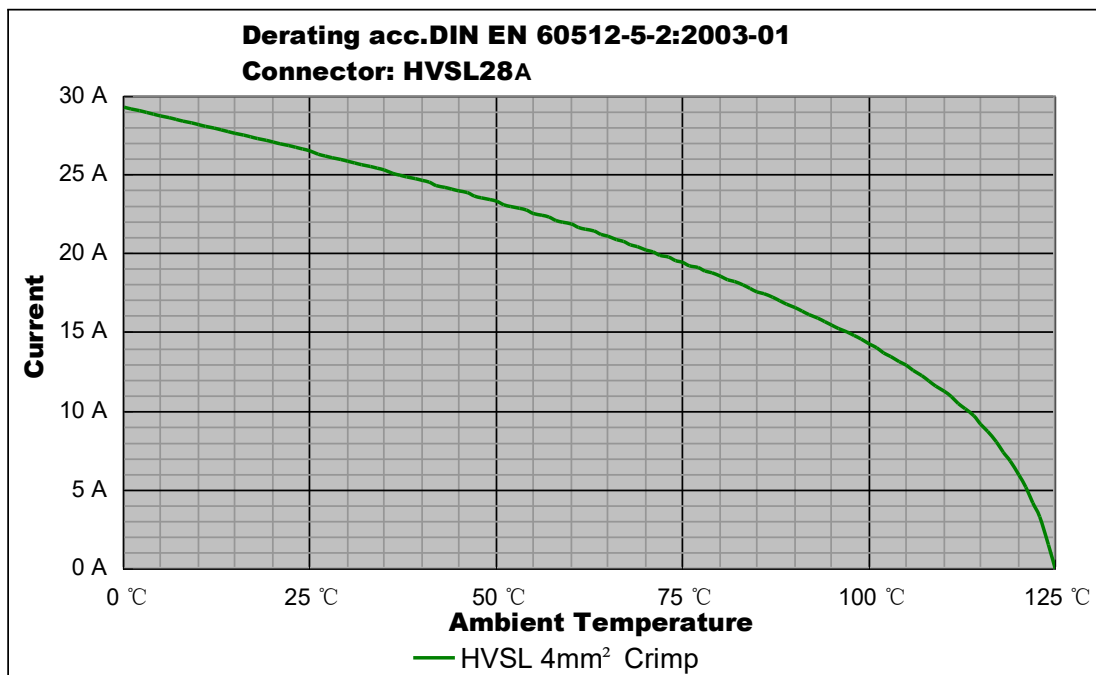
HOW TO ORDER: RECEPTACLE

		HVSL28A	02	3	A
Product type:	02: Box mounted receptacle				
Position:	3: 3 positions				
Coding / Alternate position:	A: Coding A B: Coding B C: Coding C D: Coding D E: Coding E				

HVSL 280 | Temperature Rise



HVSL 28A | Derating Curve



Remark: tests carried out on the complete connector.

Excel|Mate Eco (HVSL282)



HVSL282

HVSL282 is a 2 position connector with plastic housing, high voltage, integrated HVIL. It provides a current carrying capacity from 16 to 32A and 2.5 to 4mm² crimping cable.

Specially designed for DC-DC, air-conditioner, and other equipment in HEV device applications.

KEY FEATURES

Integrated internal HVIL

Current rating up to 32A@ ambient temperature 70°C

Two-stage, tool or thumb activated latching

No tool required to unmate

Sealing, IP67 (mated), IP6K9K

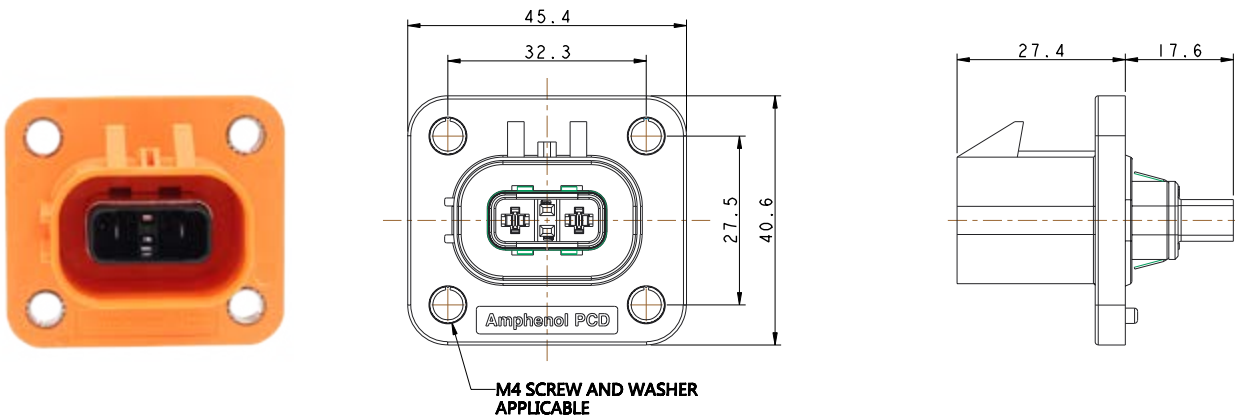
Touch-proof, IP2XB

Multiple coding positions

CPA available

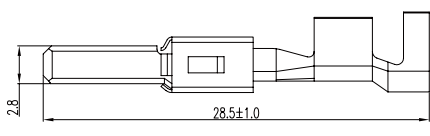
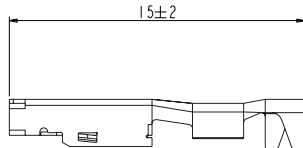
MECHANICAL	
Durability	≥ 50 mating cycles
Wire range	2.5 to 4 mm ² shielded wire
Insertion and extraction force	< 100N
Connection type	Crimping
Latching style	Two stage, finger actuated
HVIL	Integrated
CPA	Available
ELECTRICAL	
Rated voltage	1000V DC
Rated current	32A Max @ ambient temperature 70°C
Insulator resistance	> 100MΩ
Dielectric withstand voltage	3000V AC
Shielding	360° from wire to device
ENVIRONMENTAL	
Sealing	IP67, IP6K9K (mated)
Touch-proof	IP2XB
Temperature range	-40°C to 125°C
STANDARDS	
USCAR-2	
USCAR-37	
LV-215	
RoHS	
MATERIAL	
Terminals	Copper/copper alloy
Housing	PA66 + GF

RECEPTACLE

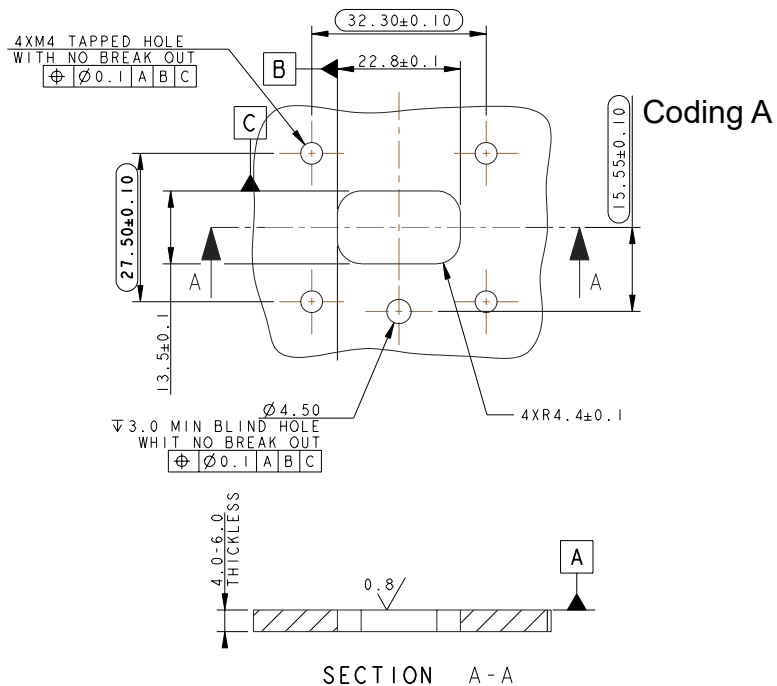


CONTACTS

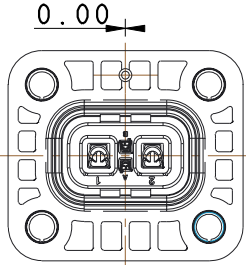
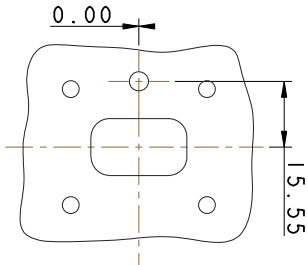
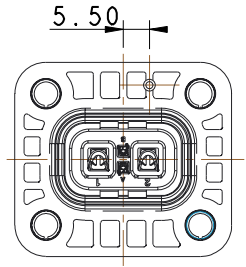
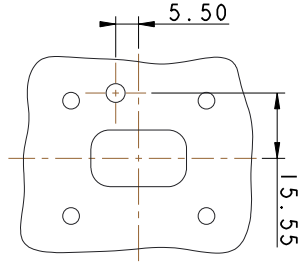
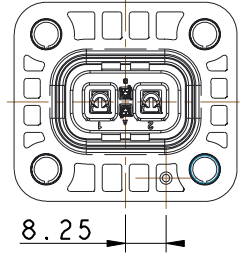
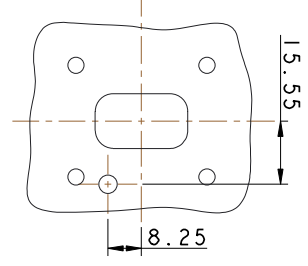
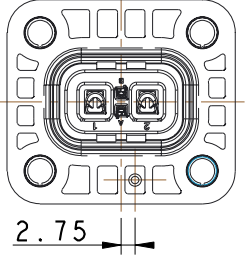
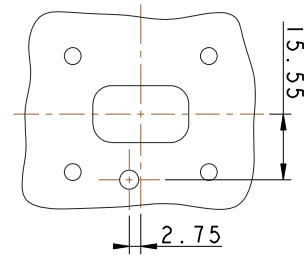
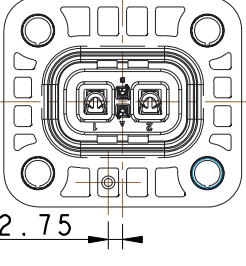
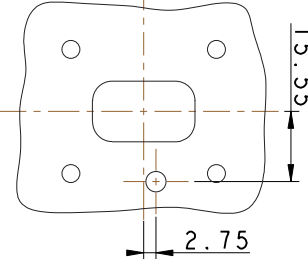
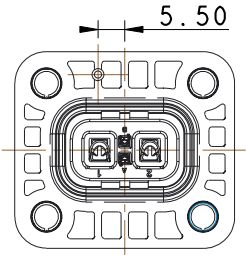
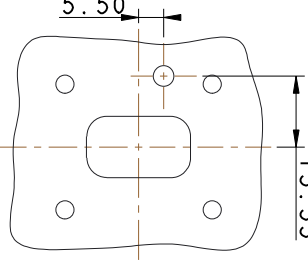
All connectors do not include contacts. Please order them separately (ref: P/N below)

Pin contact: crimping	Socket signal contact (HVIL)
P/N: C310003611S	P/N: C310003614S
	
2.5 to 4mm ² unshielded wire	0.5mm ² unshielded wire

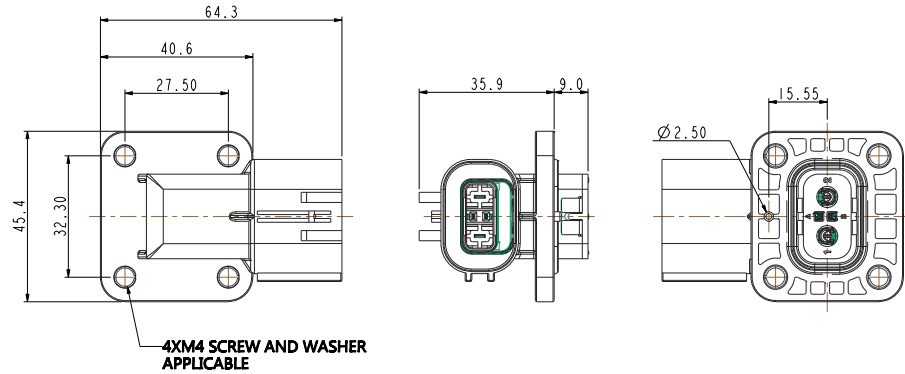
PANEL MOUNTING DIMENSION



PANEL MOUNTING DIMENSION

Part number	INSERT ORIENTATIONS	PANEL MOUNTING DIMENSION
HVSL282 02 2 A	 <p>0.00</p>	 <p>0.00</p> <p>15.55</p>
HVSL282 02 2 B	 <p>5.50</p>	 <p>5.50</p> <p>15.55</p>
HVSL282 02 2 C	 <p>8.25</p>	 <p>15.55</p> <p>8.25</p>
HVSL282 02 2 D	 <p>2.75</p>	 <p>15.55</p> <p>2.75</p>
HVSL282 02 2 E	 <p>2.75</p>	 <p>15.55</p> <p>2.75</p>
HVSL282 02 2 F	 <p>5.50</p>	 <p>5.50</p> <p>15.55</p>

RIGHT-ANGLE RECEPTACLE

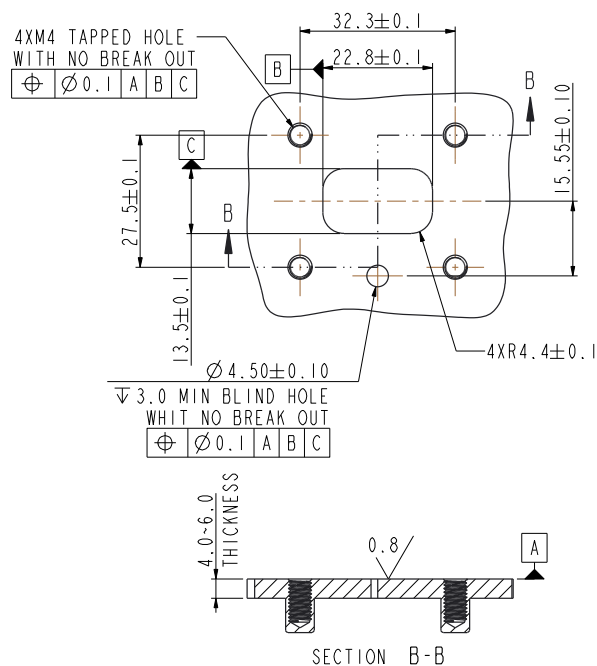


CONTACTS

All connectors do not include contacts. Please order them separately (ref: P/N below)

Socket contact: crimping	Socket signal contact (HVIL)
P/N: C310003612S	P/N: C310003614S
2.5 to 4mm ² unshielded wire	0.5mm ² unshielded wire

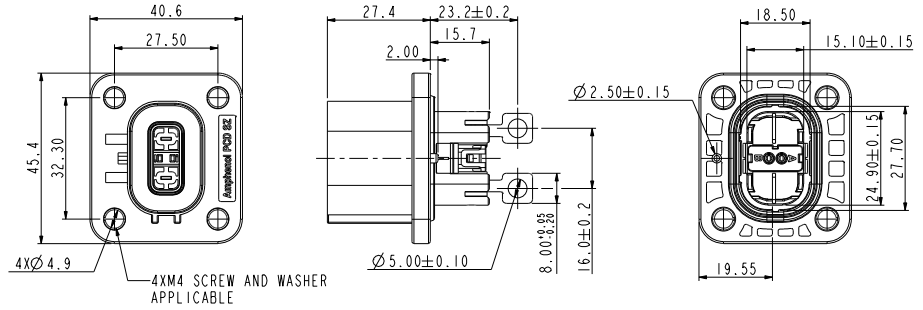
PANEL MOUNTING DIMENSION



PANEL MOUNTING DIMENSION

Part number	INSERT ORIENTATIONS	PANEL MOUNTING DIMENSION
HVSL282 04 2 AX		
HVSL282 04 2 BX		
HVSL282 04 2 CX		
HVSL282 04 2 DX		
HVSL282 04 2 EX		
HVSL282 04 2 FX		

RECEPTACLE WITH SOLDERED PIN FOR PCB BOARD

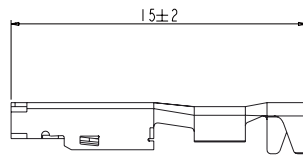


CONTACTS

All connectors do not include contacts. Please order them separately (ref: P/N below)

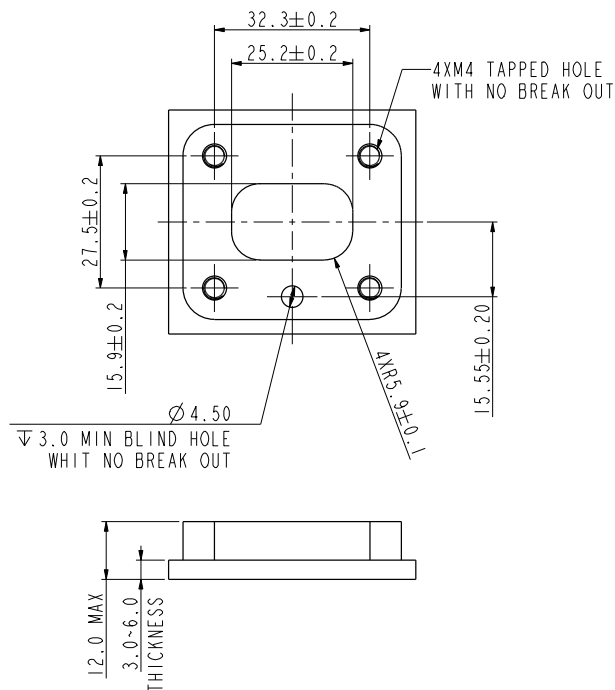
Socket signal contact (HVIL)

P/N: C310003614S



0.5mm² unshielded wire

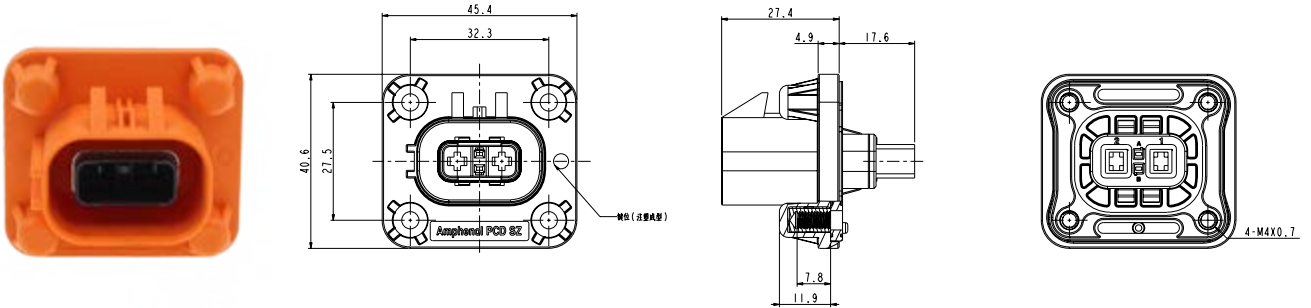
PANEL MOUNTING DIMENSION



PANEL MOUNTING DIMENSION

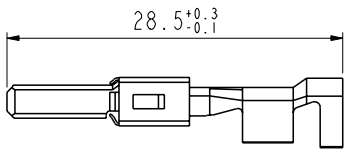
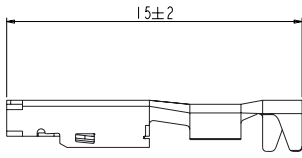
Part number	INSERT ORIENTATIONS	PANEL MOUNTING DIMENSION
HVSLW282 02 2 AX		
HVSLW282 02 2 BX		
HVSLW282 02 2 DX		
HVSLW282 02 2 FX		

BLIND HOLE MOUNTED RECEPTACLE

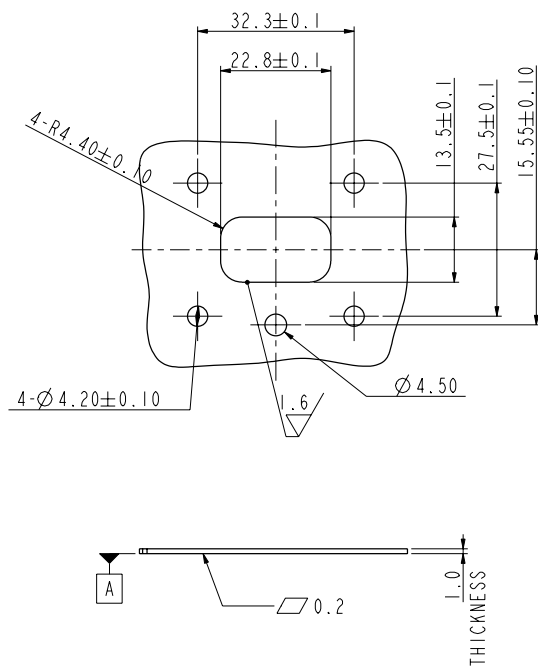


CONTACTS

All connectors do not include contacts. Please order them separately (ref: P/N below)

Pin contact: crimping	Socket signal contact (HVIL)
P/N: C310003611S	P/N: C310003614S
	
2.5 to 4mm ² unshielded wire	0.5mm ² unshielded wire

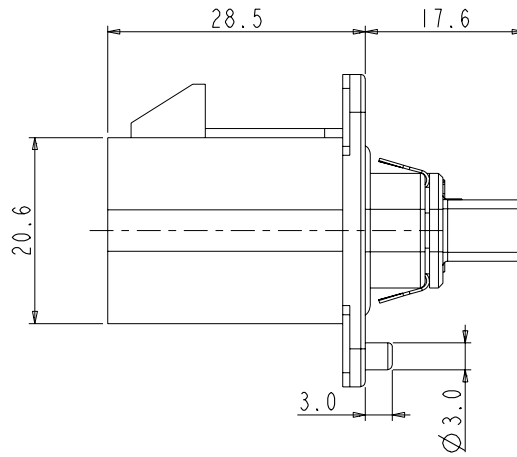
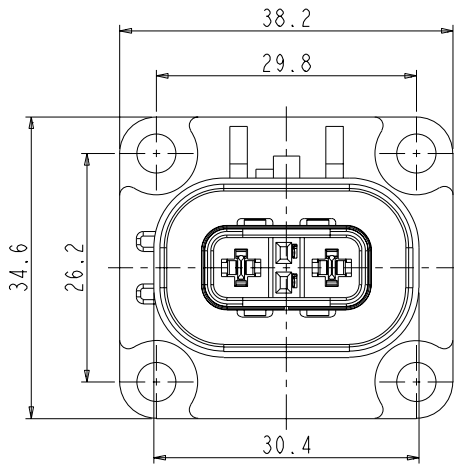
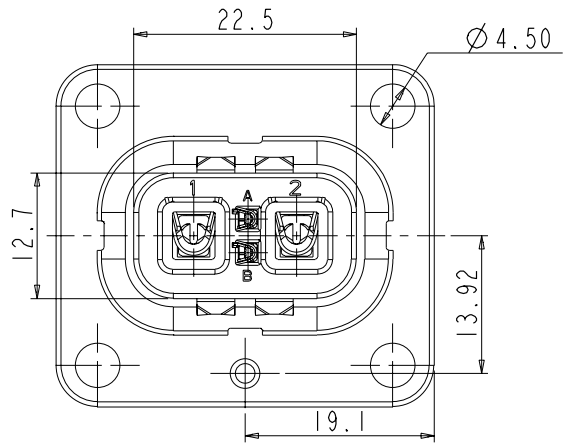
PANEL MOUNTING DIMENSION



PANEL MOUNTING DIMENSION

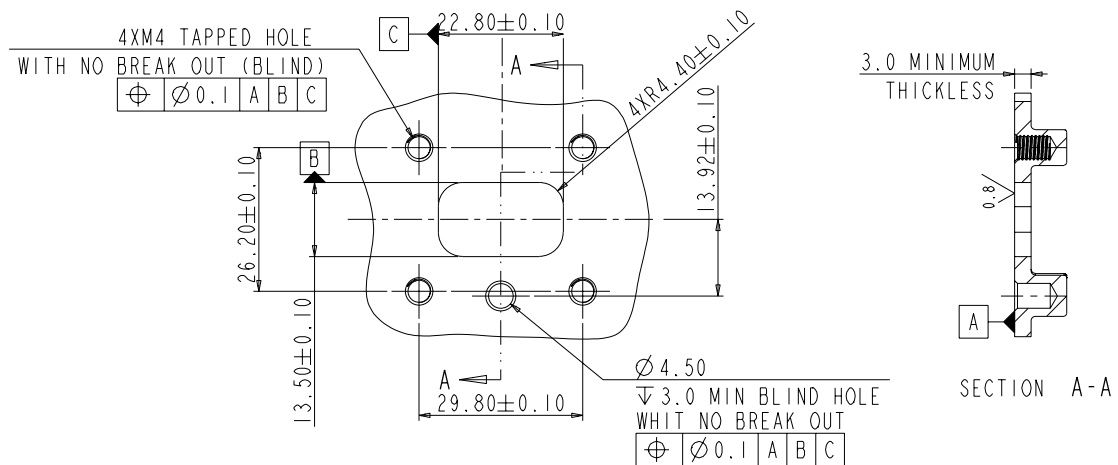
Part number	INSERT ORIENTATIONS			PANEL MOUNTING DIMENSION
HVSL282 032 A				
HVSL282 032 B				
HVSL282 032 C				
HVSL282 032 D				
HVSL282 032 E				
HVSL282 032 F				

RECEPTACLE: METAL SHELL

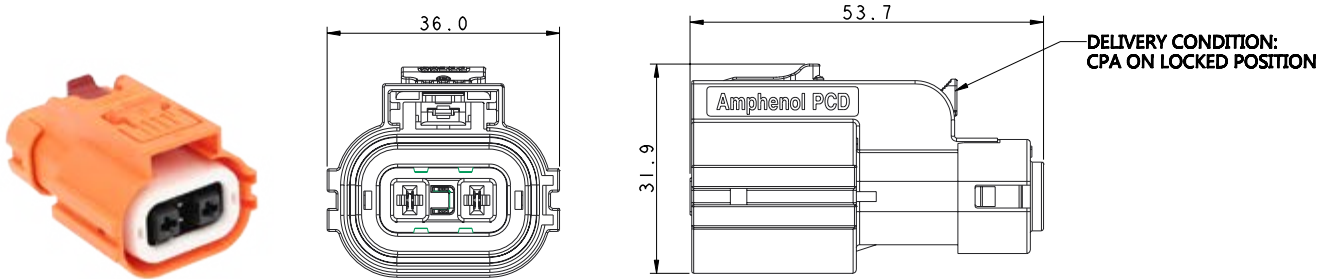


PANEL MOUNTING DIMENSION

PANEL CUT-OUT REFERENCE



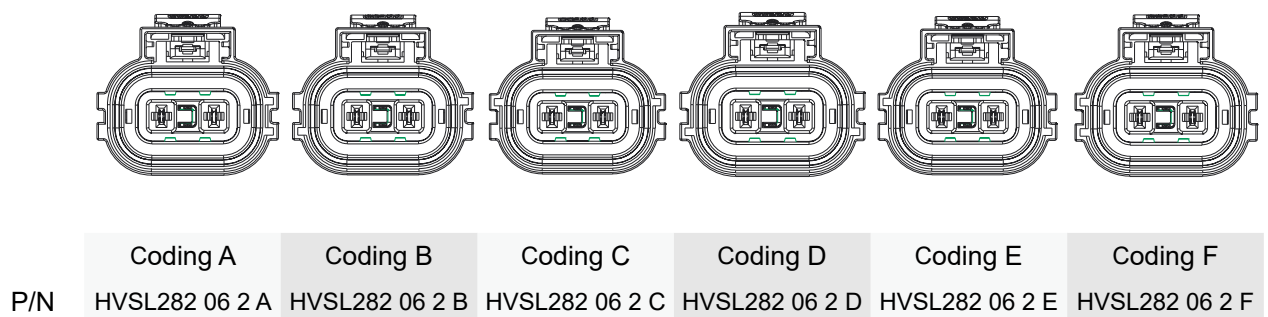
PLUG



CONTACTS

All connectors do not include contacts. Please order them separately (ref: P/N below)	
Socket contact: crimping	HVIL contacts
P/N: C310003612S	Integrated, no need to buy.
2.5 to 4mm ² shielded wire	

INSERT ORIENTATIONS



HOW TO ORDER (HVSL 282)

HOW TO ORDER: PLUG

	HVSL282	06	2	A	0	03	I
Product type:	06: Straight plug						
Position:	2: 2 positions						
Coding / Alternate position:	A: Coding A		D: Coding D				
	B: Coding B		E: Coding E				
	C: Coding C		F: Coding F				
HVIL:	0: Without HVIL						
	1: With HVIL						
Cable size:	03: 2.5mm ²						
	04: 4mm ²						
Wire type:	I: Individually shielded wire						

HOW TO ORDER: RECEPTACLES

	HVSL282	02	2	A
Product type:	02: Box mounted receptacle			
Position:	2: 2 positions			
Coding / Alternate position:	A: Coding A B: Coding B C: Coding C	D: Coding D E: Coding E F: Coding F		

	HVSL282	03	2	A
Product type:	03: Blind hole mounted receptacle			
Position:	2: 2 positions			
Coding / Alternate position:	A: Coding A B: Coding B C: Coding C	D: Coding D E: Coding E F: Coding F		

	HVSL282	04	2	A	X
Product type:	04: Right-angle receptacle				
Position:	2: 2 positions				
Coding / Alternate position:	A: Coding A B: Coding B C: Coding C	D: Coding D E: Coding E F: Coding F			
HVIL	0: without HVIL 1: with HVIL				

	HVSLW282	02	2	A	X
Product type:	02: With soldered pin for PCB board				
Position:	2: 2 positions				
Coding / Alternate position:	A: Coding A B: Coding B D: Coding D				
HVIL	0: without HVIL 1: with HVIL				

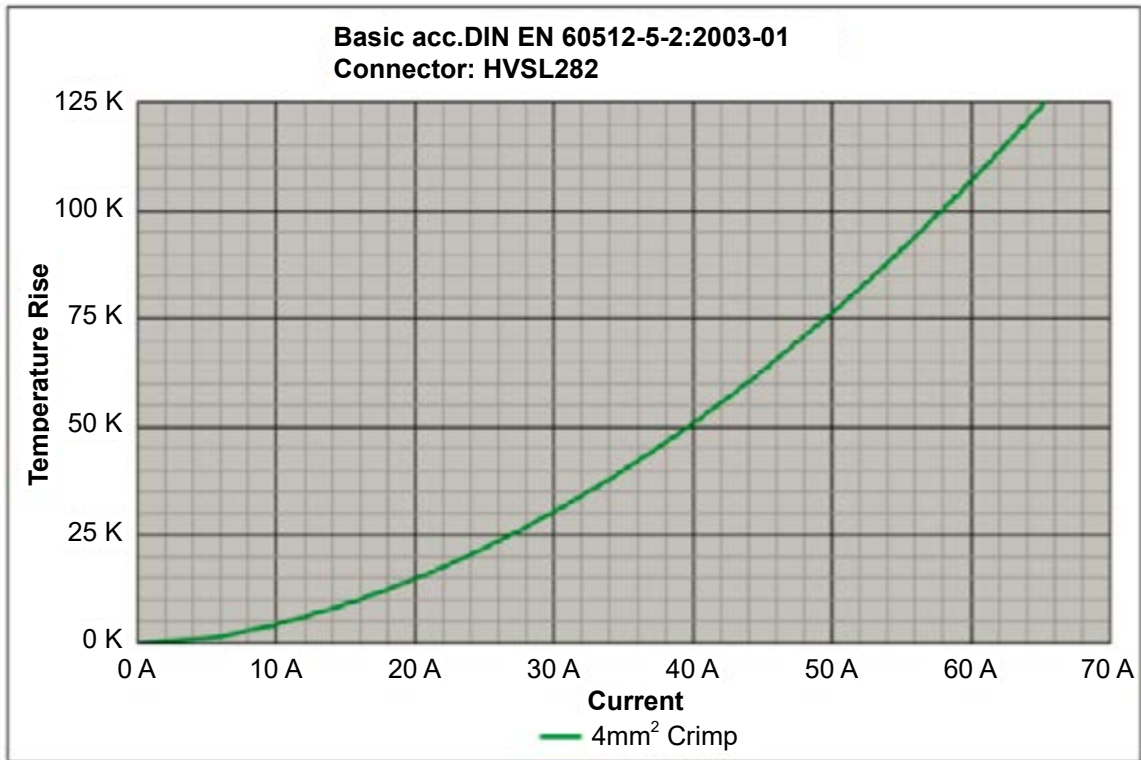
Remark: W stands for Waterproof.

RECEPTACLE: METAL SHELL

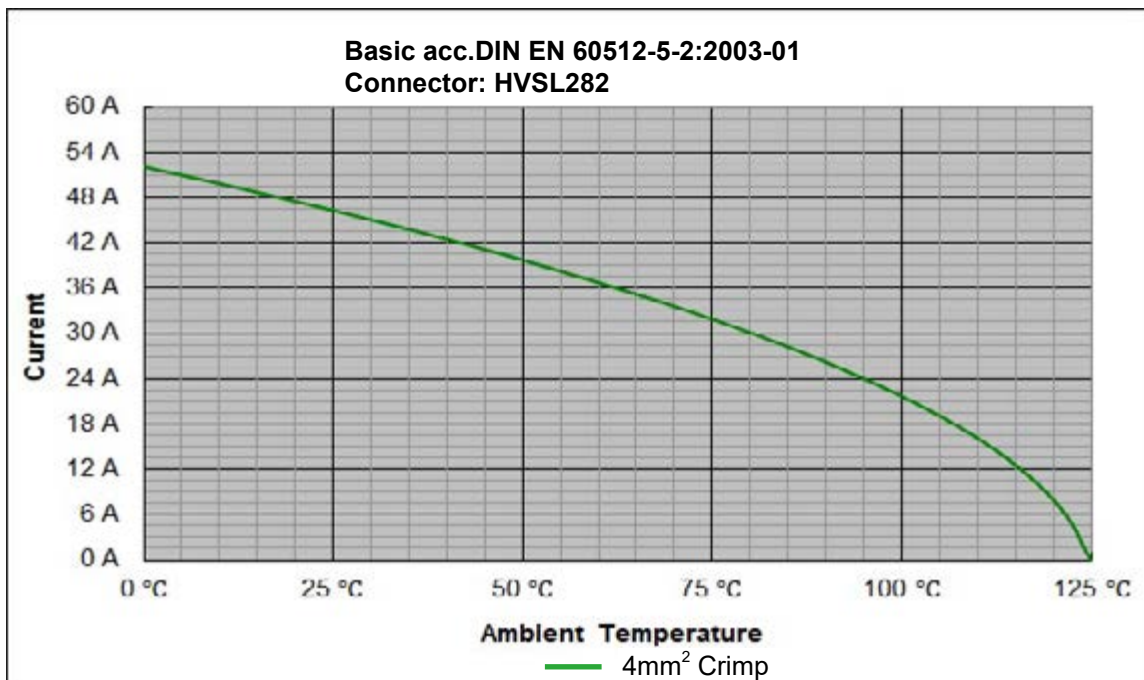
	HVSLM282	02	2	A
Product type:	02: Box mounted receptacle			
Position:	2: 2 positions			
Coding / Alternate position:	A: Coding A			

Remark: M stands for Metal.

HVSL 282 | Temperature Rise



HVSL 282 | Derating Curve



Remark: tests carried out on the complete connector.

Excel|Mate Eco (HVSL362)



HVSL362

HVSL362 is a 2 position connector with plastic housing, high voltage, integrated HVIL. It provides a current carrying capacity up to 95A and a 6 to 16mm² crimping cable.

Specially designed for DC-DC, air-conditioner, and other equipment in HEV device applications.

KEY FEATURES

Integrated internal HVIL

Current rating up to 95A @ ambient temperature 70°C

Two-stage, tool or thumb activated latching

No tool required to unmate

Sealing, IP67 (mated), IP6K9K

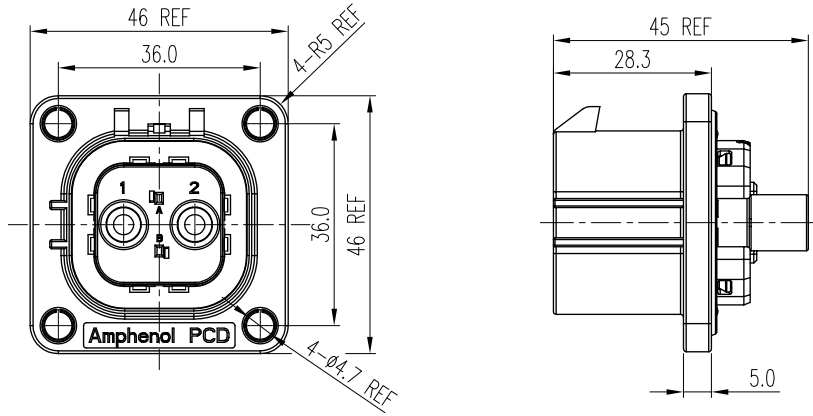
Touch-proof, IP2XB

Multiple coding positions

CPA available

MECHANICAL	
Durability	≥ 50 mating cycles
Wire range	6 to 16mm ² shielded wire
Insertion and extraction force	< 100N
Connection type	Crimping
Latching style	Two stage, finger actuated
HVIL	Integrated
CPA	Available
ELECTRICAL	
Rated voltage	1000V DC
Rated current	95A Max @ ambient temperature 70°C
Insulator resistance	> 100MΩ
Dielectric withstand voltage	3000V AC
Shielding	360° from wire to device
ENVIRONMENTAL	
Sealing	IP67, IP6K9K (mated)
Touch-proof	IP2XB
Temperature range	-40°C to 125°C
STANDARDS	
USCAR-2	
USCAR-37	
LV-215	
RoHS	
MATERIAL	
Terminals	Copper/copper alloy with silver plating
Housing	PA66 + GF

RECEPTACLE

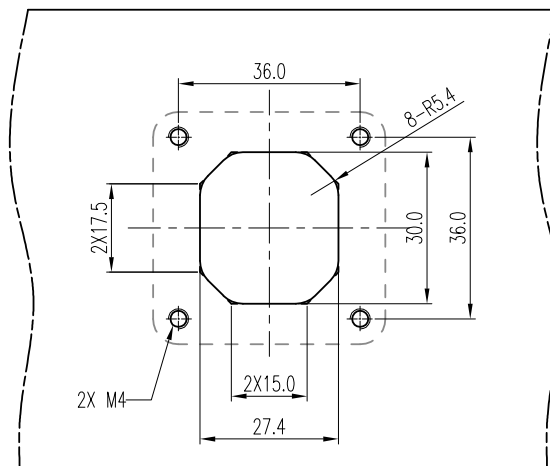


CONTACTS

All connectors do not include contacts. Please order them separately (ref: P/N below)

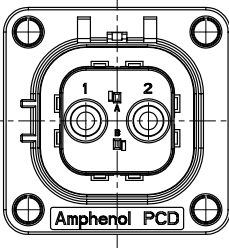
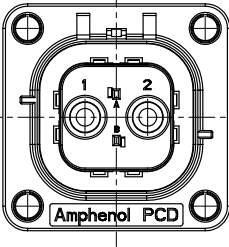
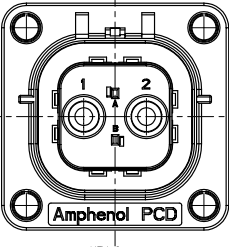
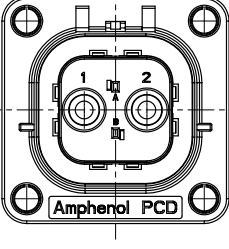
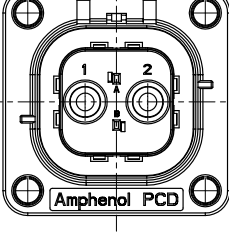
CONTACTS			
HVIL CONTACTS	6 to 10mm ² (Stamped)	16mm ² (Stamped)	16mm ² (Machined)
P/N: C310003614S	P/N: C3100235011	P/N: P03BS00081	P/N: P03BM00197

PANEL MOUNTING DIMENSION

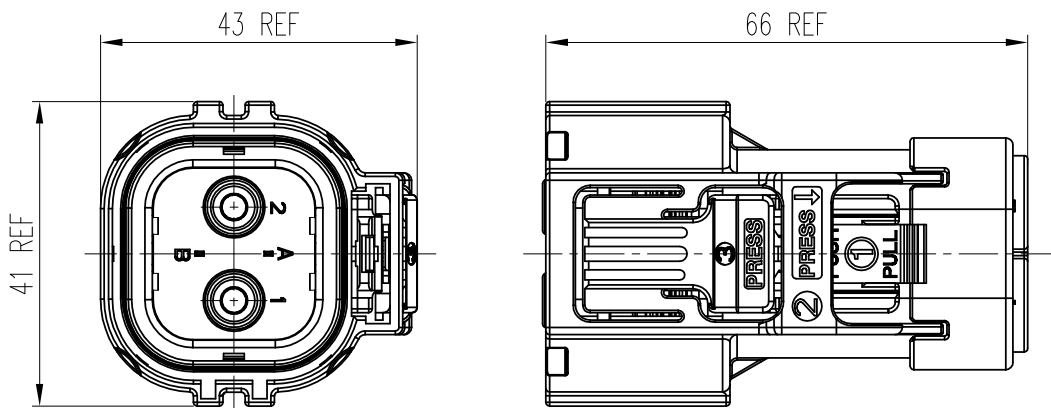


MOUNTING INTERFACE SPECIFICATION
RECOMMENDED THICKNESS: 3.0mm Min

PANEL MOUNTING HOLES POSITIONS

PART NUMBER	INSERT ORIENTATIONS
HVSL362 022 A	
HVSL362 022 B	
HVSL362 022 C	
HVSL362 022 D	
HVSL362 022 E	

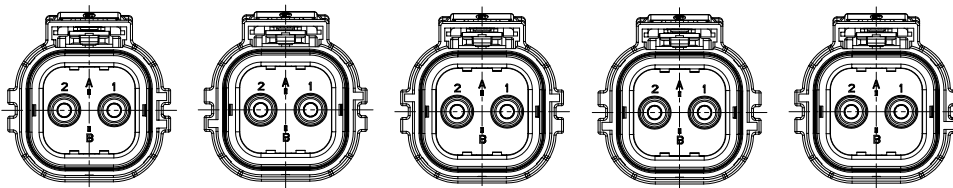
PLUG



CONTACTS

All connectors do not include contacts. Please order them separately (ref: P/N below)			
CONTACTS			
HVIL CONTACTS	6 to 10mm ² (Stamped)	16mm ² (Stamped)	16mm ² (Machined)
	P/N: C3100235021	P/N: P03BS00080	P/N: P03BM00196
Integrated, no need to buy.			

INSERT ORIENTATIONS



	Coding A	Coding B	Coding C	Coding D	Coding E
P/N	HVSL362 062 A	HVSL362 062 B	HVSL362 062 C	HVSL362 062 D	HVSL362 062 E

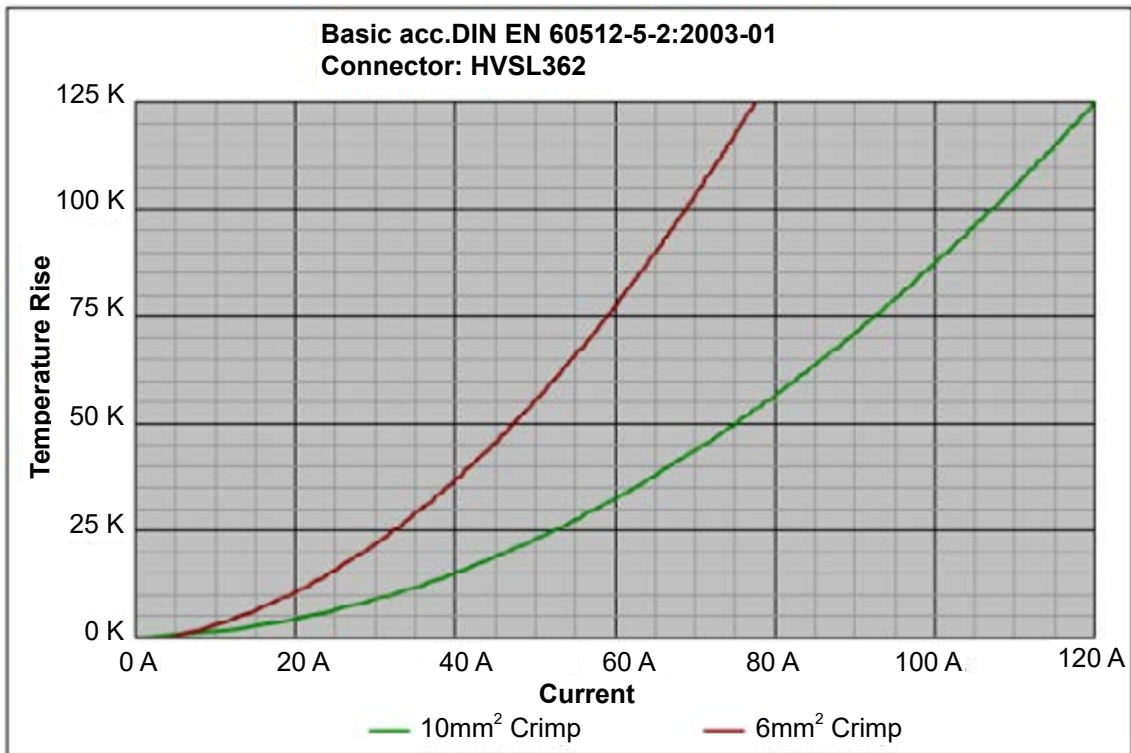
HOW TO ORDER: PLUG

	HVSL362	06	2	A	0	06	I
Product type:	06: Straight plug						
Position:	2: 2 positions						
Coding / Alternate position:	A: Coding A B: Coding B C: Coding C D: Coding D E: Coding E						
Interlock:	0: Without interlock 1: With interlock						
Cable size:	06: 6mm ² 10: 10mm ² 16: 16mm ²						
Wire type:	I: Individually shielded wire						

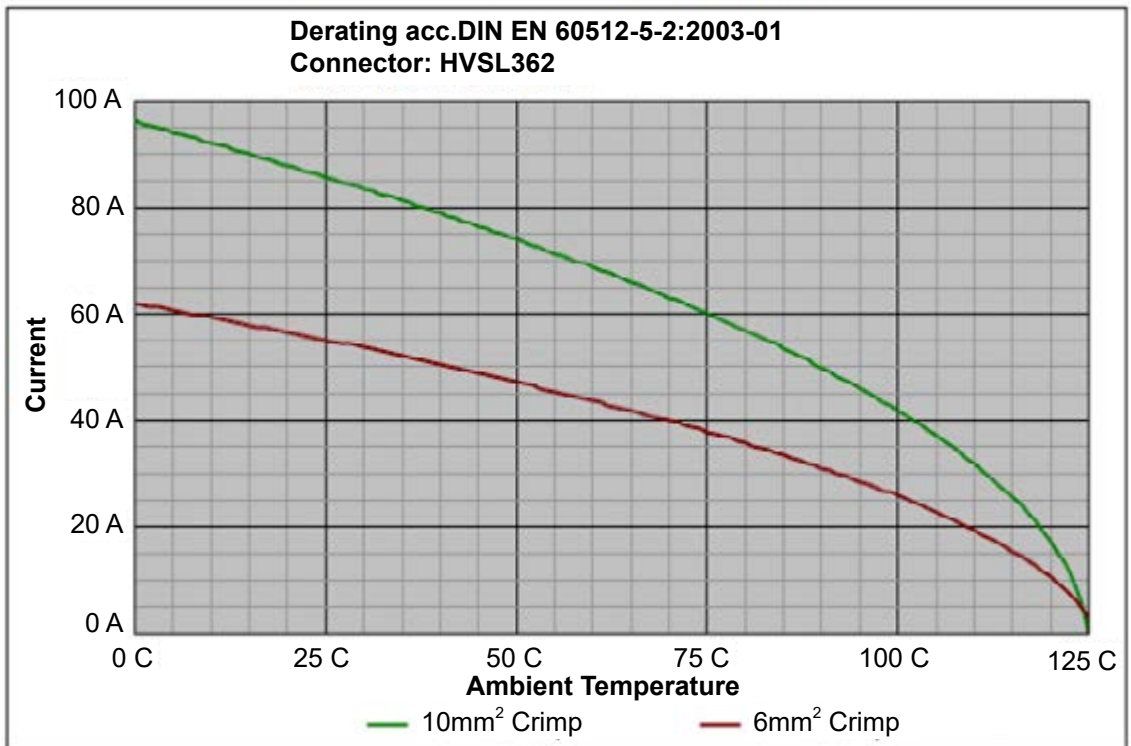
HOW TO ORDER: RECEPTACLE

	HVSL362	02	2	A
Product type:	02: Box mounted receptacle			
Position:	2: 2 positions			
Coding / Alternate position:	A: Coding A B: Coding B C: Coding C D: Coding D E: Coding E			

HVSL 362 | Temperature Rise



HVSL 362 | Derating Curve



Remark: tests carried out on the complete connector.

Excel|Mate Eco (HVSL364)



HVSL364

HVSL364 is a 4 position connector with plastic housing, high voltage, integrated HVIL. It provides a current carrying capacity up to 46A and 2.5 to 6mm² crimping cable.

Specially designed for DC-DC, air-conditioner, and other equipment in HEV device applications.

KEY FEATURES

Integrated internal HVIL

Current rating up to 46A@ ambient temperature 70°C

Two-stage, tool or thumb activated latching

No tool required to unmate

Sealing, IP67 (mated), IP6K9K

Touch-proof, IP2XB

Multiple coding positions

CPA available

MECHANICAL

Durability	≥ 50 mating cycles
Wire range	2.5 to 6mm ² shielded wire
Insertion and extraction force	< 100N
Connection type	Crimping
Latching style	Two stage, finger actuated
HVIL	Integrated
CPA	Available

ELECTRICAL

Rated voltage	1000V DC
Rated current	46A Max @ ambient temperature 70°C
Insulator resistance	> 100MΩ
Dielectric withstand voltage	3000V AC
Shielding	360° from wire to device

ENVIRONMENTAL

Sealing	IP67, IP6K9K (mated)
Touch-proof	IP2XB
Temperature range	-40°C to 125°C

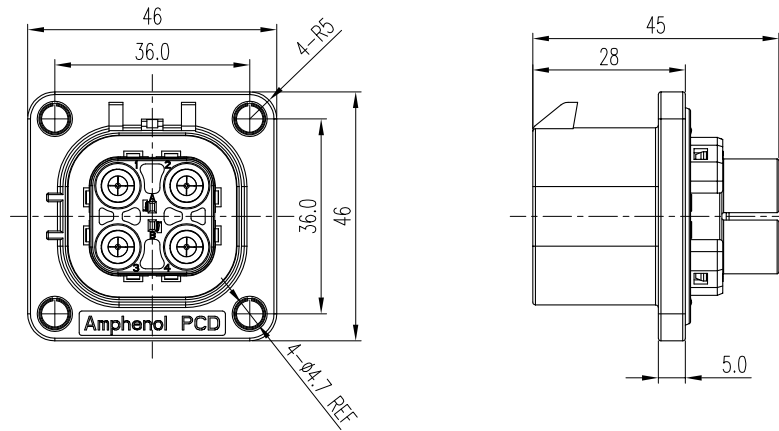
STANDARDS

USCAR-2
USCAR-37
LV-215
RoHS

MATERIAL

Terminals	Copper/copper alloy with silver plating
Housing	PA66 + GF

RECEPTACLE



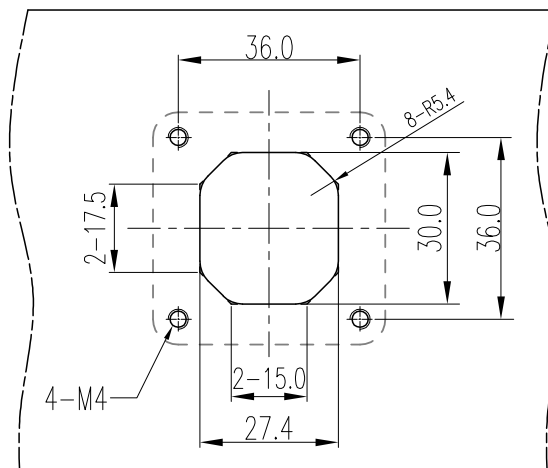
CONTACTS

All connectors do not include contacts. Please order them separately (ref: P/N below)

CONTACTS (Pin contact)

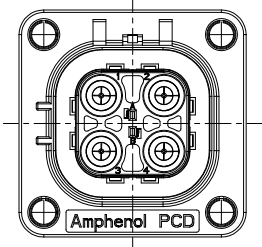
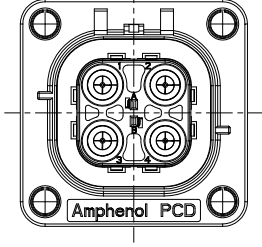
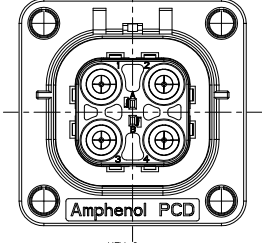
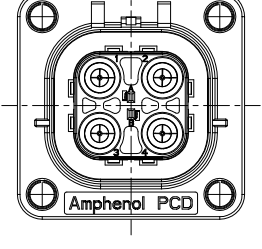
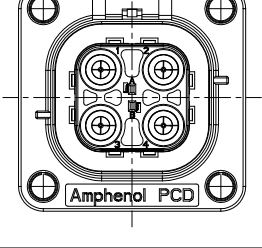
HVIL CONTACTS	6mm ² (Machined)	6mm ² (Stamped)	4mm ²	2.5mm ²
P/N: C310003614S	P/N: C200012101	P/N: C310026000	P/N: C310026004	P/N: C310026006

PANEL MOUNTING DIMENSION

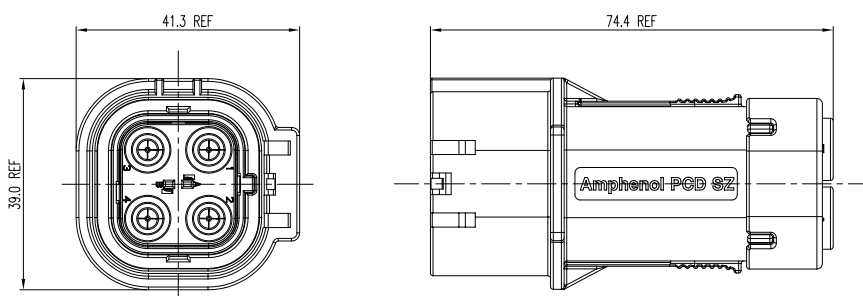


MOUNTING INTERFACE SPECIFICATION
RECOMMENDED THICKNESS: 3.0mm Min

PANEL MOUNTING HOLES POSITIONS

PART NUMBER	INSERT ORIENTATIONS
HVSL364 024 A	
HVSL364 024 B	
HVSL364 024 C	
HVSL364 024 D	
HVSL364 024 E	

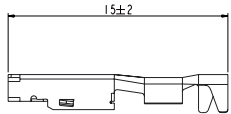
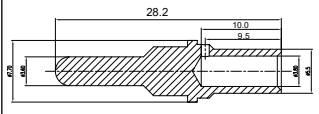
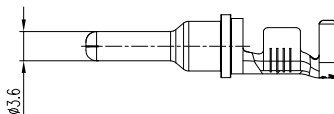
RECEPTACLE IN-LINE



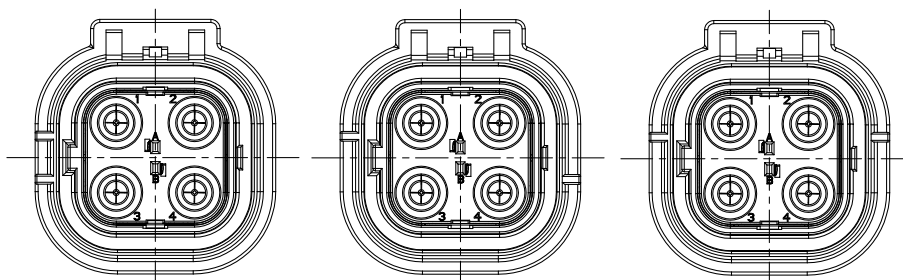
CONTACTS

All connectors do not include contacts. Please order them separately (ref: P/N below)

CONTACTS (Pin contact)

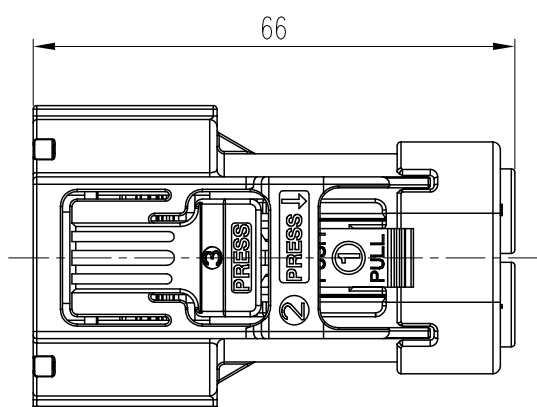
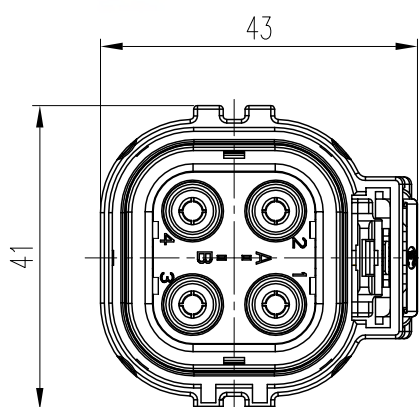
HVIL CONTACTS	6mm ² (Machined)	6mm ² (Stamped)	4mm ²	2.5mm ²
P/N: C310003614S	P/N: C200012101	P/N: C310026000	P/N: C310026004	P/N: C310026006
				

INSERT ORIENTATIONS



	Coding A	Coding B	Coding C
P/N	HVSL364 014 A 103IS1	HVSL364 014 B 103IS1	HVSL364 014 C 103IS1

PLUG



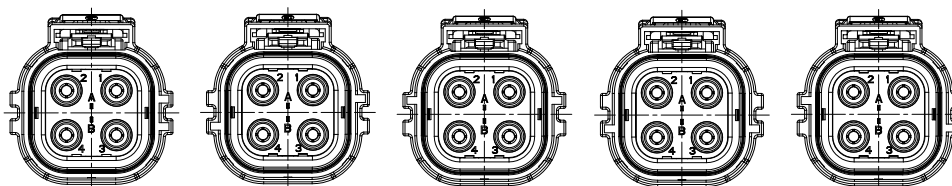
CONTACTS

All connectors do not include contacts. Please order them separately (ref: P/N below)

CONTACTS (Socket contact)

HVIL CONTACTS	6mm ² (Machined)	6mm ² (Stamped)	4mm ²	2.5mm ²
	P/N: C200012102	P/N: C310026001	P/N: C310026005	P/N: C310026007
Integrated, no need to buy. -				

INSERT ORIENTATIONS



	Coding A	Coding B	Coding C	Coding D	Coding E
P/N	HVSL364 064 A	HVSL364 064 B	HVSL364 064 C	HVSL364 064 D	HVSL364 064 E

HOW TO ORDER (HVSL 364)

HOW TO ORDER: PLUG

	HVSL364	06	4	A	0	03	I
Product type:	06: Straight plug						
Position:	4: 4 position						
Coding / Alternate position:	A: Coding A B: Coding B C: Coding C D: Coding D E: Coding E						
Interlock:	0: Without interlock 1: With interlock						
Cable size:	03: 2.5mm ² 04: 4mm ² 06: 6mm ²						
Wire type:	I: Individually shielded wire						

HOW TO ORDER: RECEPTACLE

	HVSL364	02	4	A			
Product type:	02: Box mounted receptacle						
Position:	4: 4 positions						
Coding / Alternate position:	A: Coding A B: Coding B C: Coding C D: Coding D E: Coding E						
Interlock:	1: With interlock						
Cable size:	03: 2.5mm ² 04: 4mm ² 06: 6mm ²						
Wire type:	I: Individually shielded wire						

	HVSL364	01	4	A	1	03	I
Product type:	01: In-line						
Position:	4: 4 position						
Coding / Alternate position:	A: Coding A B: Coding B C: Coding C						
Interlock:	1: With interlock						
Cable size:	03: 2.5mm ² 04: 4mm ² 06: 6mm ²						
Wire type:	I: Individually shielded wire						

EXCEL | MATE Eco (HVSL365 5 PIN connector)



HVSL365

HVSL365 is a 5 position connector with plastic housing, high voltage, integrated HVIL. It provides a current carrying capacity up to 40A and 4 to 6mm² crimping cable. The two signal contacts offer a rated current up to 5A and 0.5 to 0.75mm² crimping cable.

Specially designed for DC-DC, air-conditioner, and other equipment in HEV device applications.

KEY FEATURES

Integrated internal HVIL

Current rating up to 40A@ ambient temperature 70°C

Two-stage, tool or thumb activated latching

No tool required to unmate

Sealing, IP67 (mated), IP6K9K

Touch-proof, IP2XB

Multiple coding positions

CPA available

MECHANICAL

Durability	≥ 50 mating cycles
Wire range	2.5 to 6mm ² shielded wire
Insertion and extraction force	< 100N
Connection type	Crimping
Latching style	Two stage, finger actuated
HVIL	Integrated
CPA	Available

ELECTRICAL

Rated voltage	1000V DC
Rated current	40A Max @ ambient temperature 70°C Signal contacts: 5A
Insulator resistance	> 100MΩ
Dielectric withstand voltage	3000V AC
Shielding	360° from wire to device

ENVIRONMENTAL

Sealing	IP67, IP6K9K (mated)
Touch-proof	IP2XB
Temperature range	-40°C to 125°C

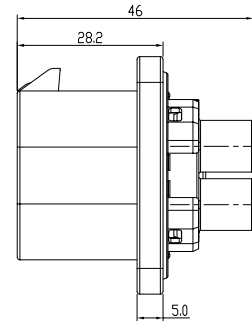
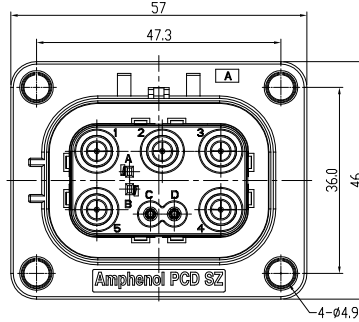
STANDARDS

USCAR-2
USCAR-37
LV-215
RoHS

MATERIAL

Terminals	Copper/copper alloy with silver plating
Housing	PA66 + GF

RECEPTACLE



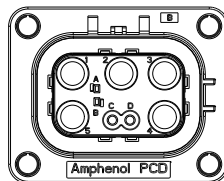
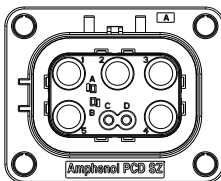
CONTACTS

All connectors do not include contacts. Please order them separately (ref: P/N below)

CONTACTS (Pin contact)

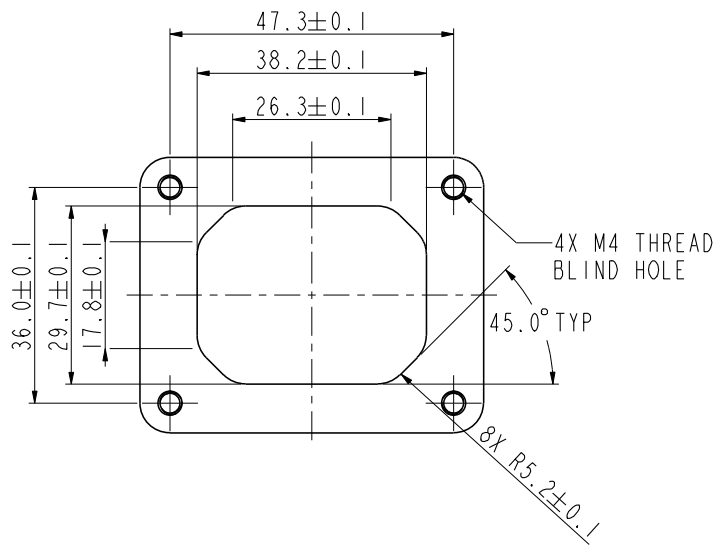
HVIL contacts	2.5mm ²	4 to 6mm ²	Signal contacts
P/N: C310003614S	P/N: C310026002	P/N: C310026000	P/N: LVRC20SC01S

INSERT ORIENTATIONS



	Coding A	Coding B
P/N	HVSL365 025 A	HVSL365 025 B

PANEL MOUNTING DIMENSION

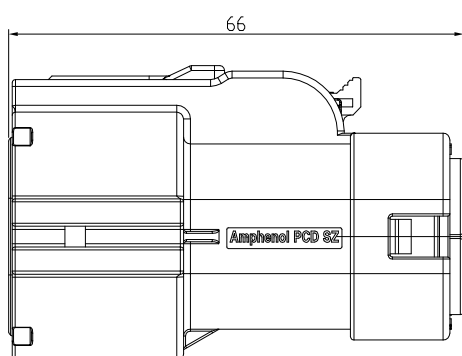
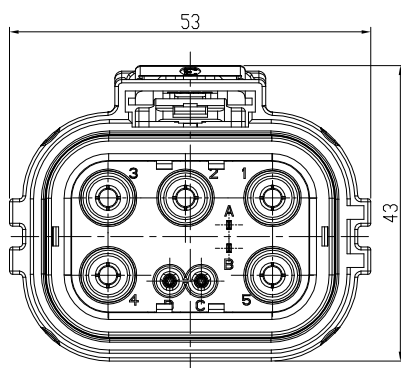


PANEL MOUNTING HOLES POSITIONS

PART NUMBER	INSERT ORIENTATIONS
HVSL365 025 A	
HVSL365 025 B	

EXCEL | MATE Eco (HVSL 365)

PLUG



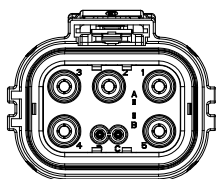
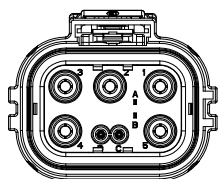
CONTACTS

All connectors do not include contacts. Please order them separately (ref: P/N below)

CONTACTS (Socket contact)

HVIL CONTACTS	2.5mm ²	4 to 6mm ²	Signal contacts
Integrated, no need to buy.	P/N: C310026003	P/N: C310026001	P/N: L17D3D475T5

INSERT ORIENTATIONS



Coding A

Coding B

P/N

HVSL365 065 A XXXI

HVSL365 065 B XXXI

HOW TO ORDER: PLUG

	HVSL365	06	5	A	0	04	I
Product type:	06: Straight plug						
Position:	5: 5 position						
Coding / Alternate position:	A: Coding A B: Coding B						
Interlock:	0: Without interlock 1: With interlock						
Cable size:	03: 2.5mm ² 04: 4mm ² 06: 6mm ²						
Wire type:	I: Individually shielded wire						

HOW TO ORDER: RECEPTACLE

	HVSL365	02	5	A
Product type:	02: Box mounted receptacle			
Position:	5: 5 positions			
Coding / Alternate position:	A: Coding A B: Coding B			

EXCEL | MATE Eco (HVSL366)



HVSL366

HVSL366 is a 6 position connector with plastic housing, high voltage, integrated HVIL. It provides a current carrying capacity up to 40A and 4 to 6mm² crimping cable.

Specially designed for DC-DC, air-conditioner, and other equipment in HEV device applications.

KEY FEATURES

Integrated internal HVIL

Current rating up to 40A@ ambient temperature 70°C

Two-stage, tool or thumb activated latching

No tool required to unmate

Sealing, IP67 (mated), IP6K9K

Touch-proof, IP2XB

Multiple coding positions

CPA available

MECHANICAL

Durability	≥ 50 mating cycles
Wire range	2.5 to 6mm ² shielded wire
Insertion and extraction force	< 100N
Connection type	Crimping
Latching style	Two stage, finger actuated
HVIL	Integrated
CPA	Available

ELECTRICAL

Rated voltage	1000V DC
Rated current	40A Max @ ambient temperature 70°C
Insulator resistance	> 100MΩ
Dielectric withstand voltage	3000V AC
Shielding	360° from wire to device

ENVIRONMENTAL

Sealing	IP67, IP6K9K (mated)
Touch-proof	IP2XB
Temperature range	-40°C to 125°C

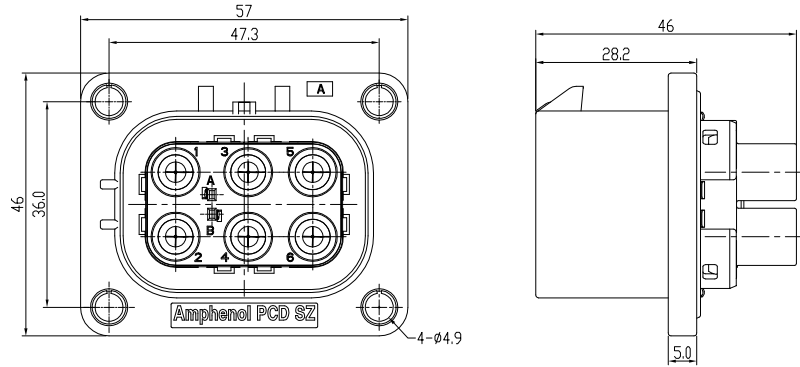
STANDARDS

USCAR-2
USCAR-37
LV-215
RoHS

MATERIAL

Terminals	Copper/copper alloy with silver plating
Housing	PA66 + GF

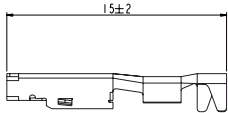
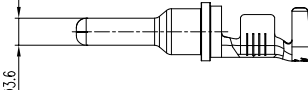
RECEPTACLE



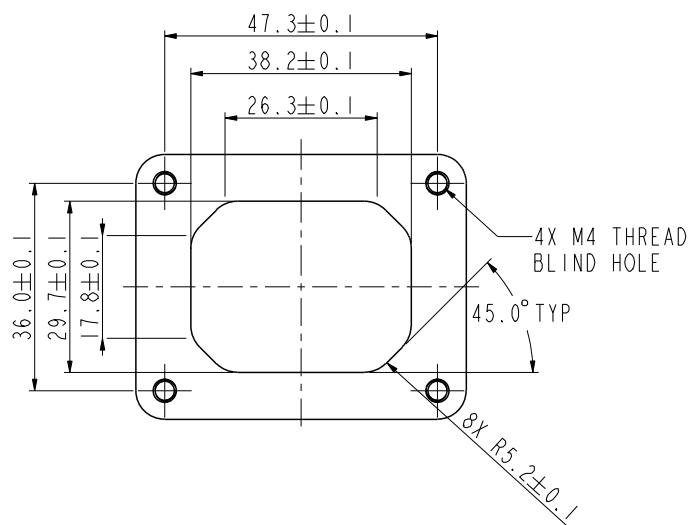
CONTACTS

All connectors do not include contacts. Please order them separately (ref: P/N below)

CONTACTS (Pin contact)

HVIL contacts	2.5mm ²	4 to 6mm ²
P/N: C310003614S	P/N: C310026002	P/N: C310026000
		

PANEL MOUNTING DIMENSION



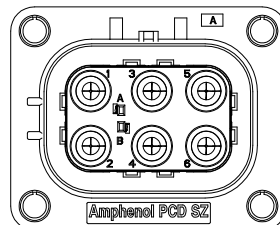
MOUNTING INTERFACE SPECIFICATION
RECOMMENDED THICKNESS: 3.0mm Min

PANEL MOUNTING HOLES POSITIONS

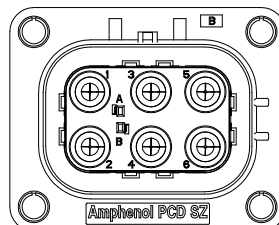
PART NUMBER

INSERT ORIENTATIONS

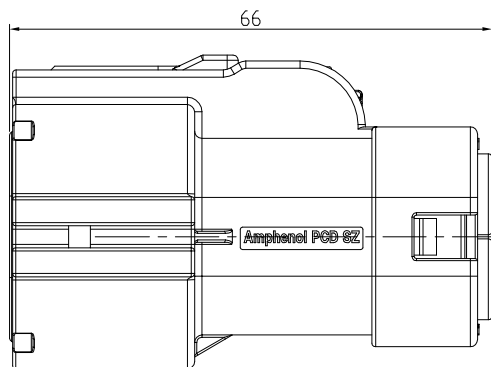
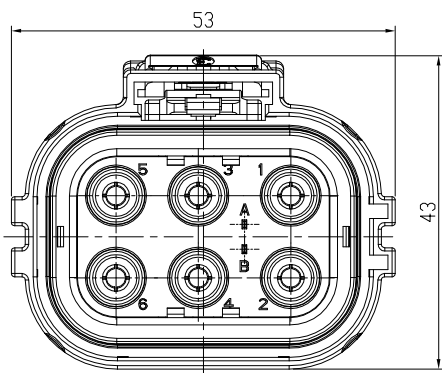
HVSL366 026 A



HVSL366 026 B



PLUG



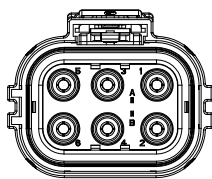
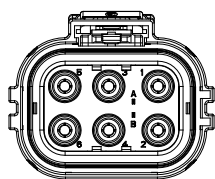
CONTACTS

All connectors do not include contacts. Please order them separately (ref: P/N below)

CONTACTS (Socket contact)

HVIL CONTACTS	2.5mm ²	4 to 6mm ²
Integrated, no need to buy.	P/N: C310026003	P/N: C310026001

INSERT ORIENTATIONS



	Coding A	Coding B
P/N	HVSL366 066 A XXXI	HVSL366 066 B XXXI

HOW TO ORDER (HVSL 366)

HOW TO ORDER: PLUG

	HVSL366	06	6	A	0	04	I
Product type:		06: Straight plug					
Position:		6: 6 position					
Coding / Alternate position:		A: Coding A B: Coding B					
Interlock:		0: Without interlock 1: With interlock					
Cable size:		03: 2.5mm ² 04: 4mm ² 06: 6mm ²					
Wire type:		I: Individually shielded wire					

HOW TO ORDER: RECEPTACLE

	HVSL366	02	6	A
Product type:		02: Box mounted receptacle		
Position:		6: 6 positions		
Coding / Alternate position:		A: Coding A B: Coding B		

EXCEL | MATE PT (HVPT - PASS-THROUGH WITH CABLE GLAND)



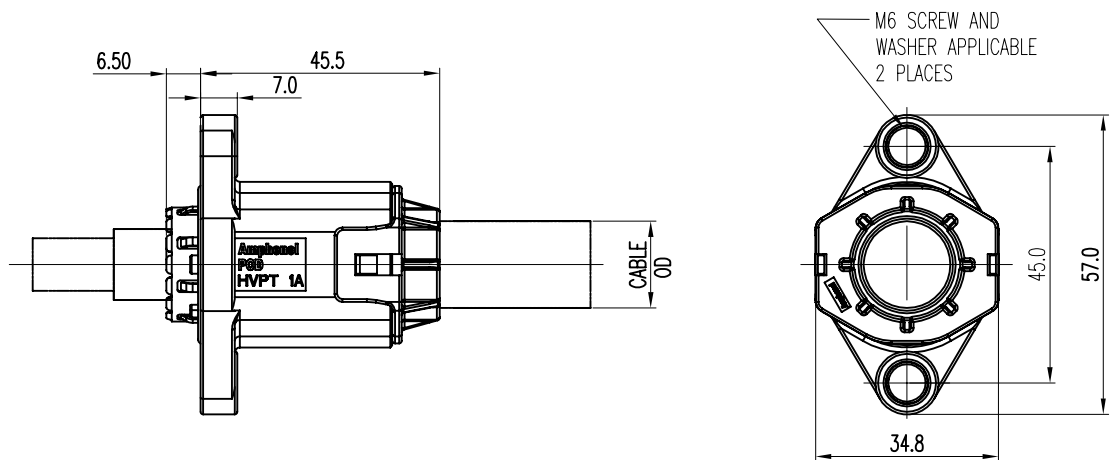
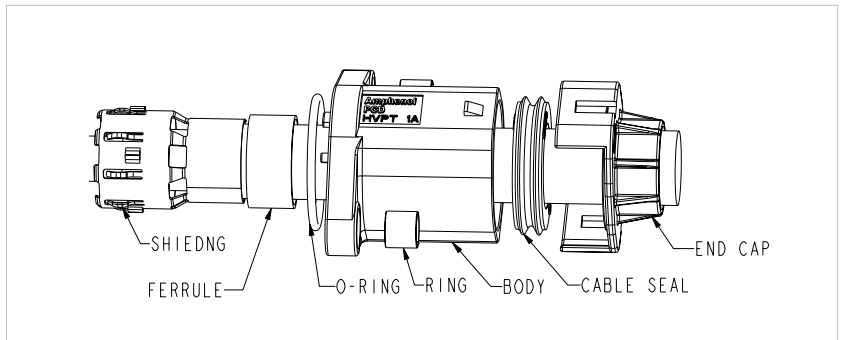
KEY FEATURES

- 1 to 3 positions available
- Light in weight with plastic shell
- Easy to install, reliable connection
- Sealing, IP67, IP6K9K
- Multiple coding positions
- 360° shielded from wire to device
- Economical

MECHANICAL	
Wire range	25 to 70 mm ² shielded wires
Connection type	Crimping
ELECTRICAL	
Rated voltage	1000V DC
Dielectric withstand voltage	3000V AC
Shielding	360° from wire to device
ENVIRONMENTAL	
Sealing	IP67, IP6K9K
Temperature range	-40°C to 125°C
STANDARDS	
USCAR-2	
USCAR-37	
LV-215	
RoHS	
MATERIAL	
Housing	PA66 + GF

Excel|Mate PT (HVPT)

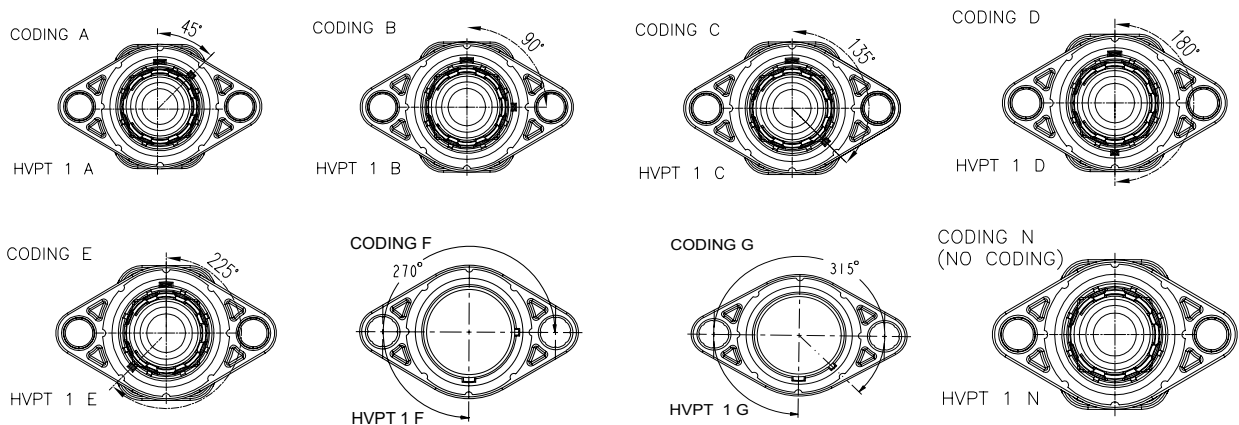
1 POSITION PASS-THROUGH



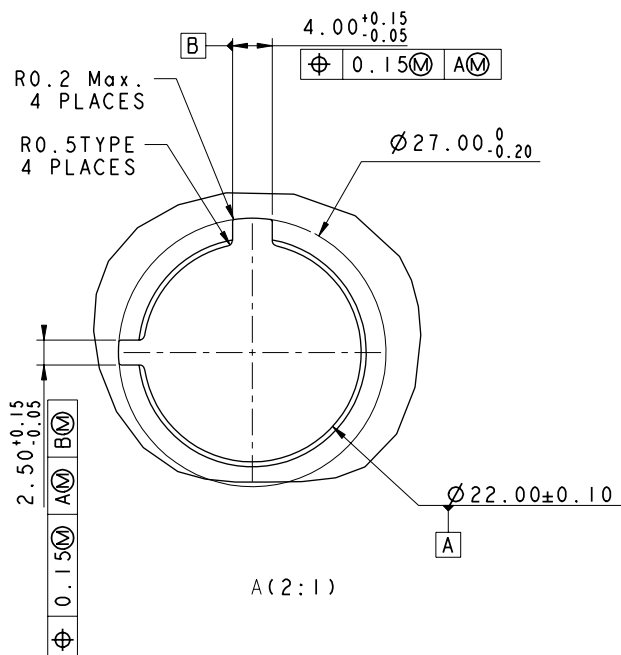
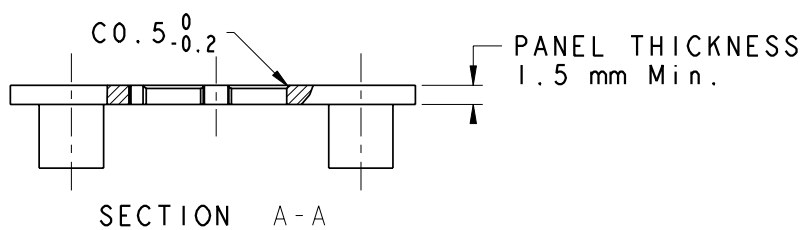
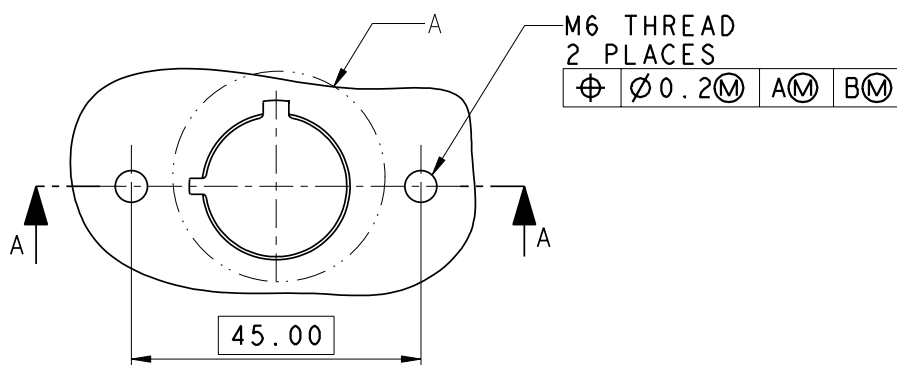
CONTACTS

Part number	Conductor cross section (mm ²)	Cable OD
HVPT 1 X 70	70	19.0±0.3
HVPT 1 X 50	50	16.5±0.3
HVPT 1 X 35	35	14.2±0.3
HVPT 1 X 25	25	11.9±0.3

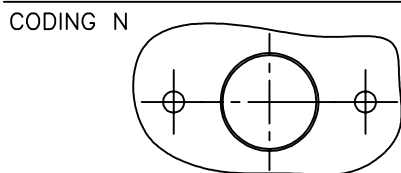
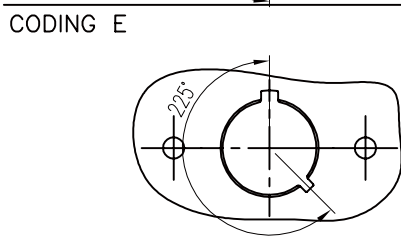
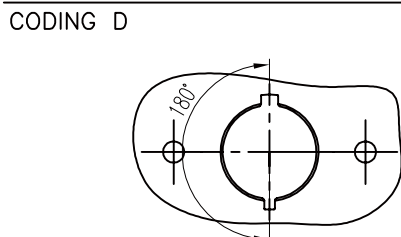
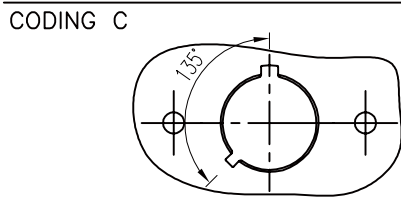
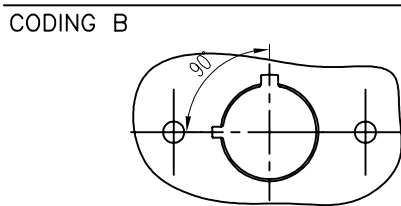
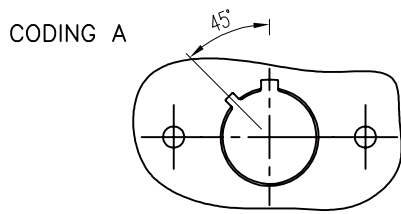
INSERT ORIENTATIONS



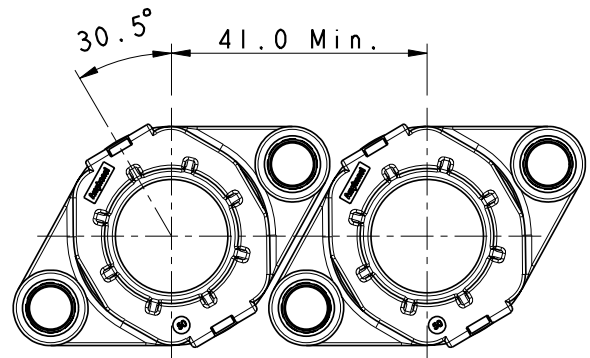
PANEL MOUNTING DIMENSION



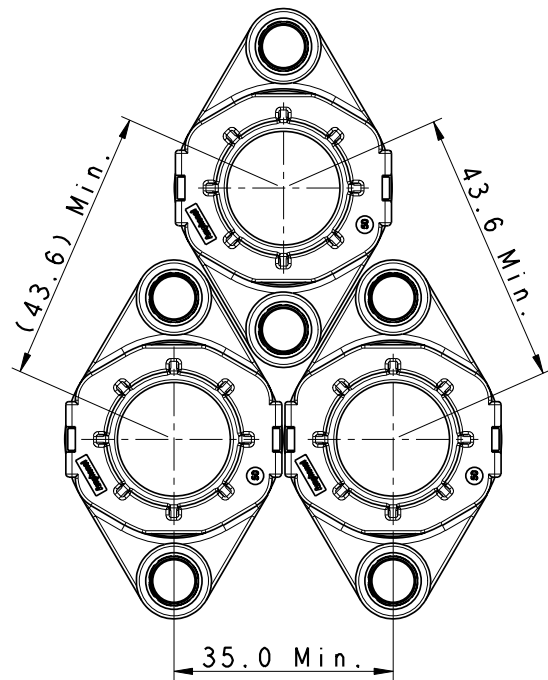
PANEL MOUNTING DIMENSIONS



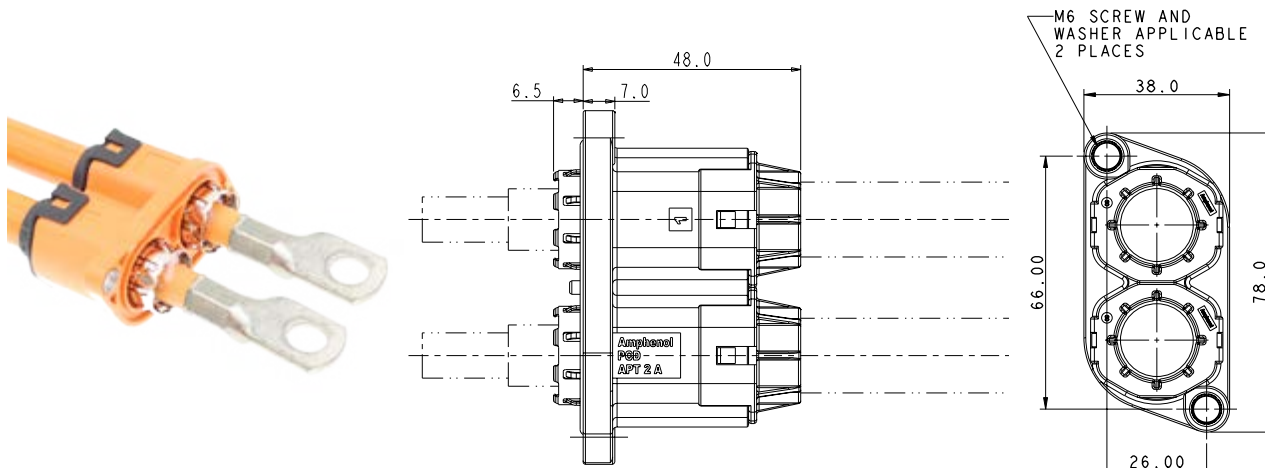
RECOMMENDED LAYOUT FOR 2 UNITS



RECOMMENDED LAYOUT FOR 3 UNITS



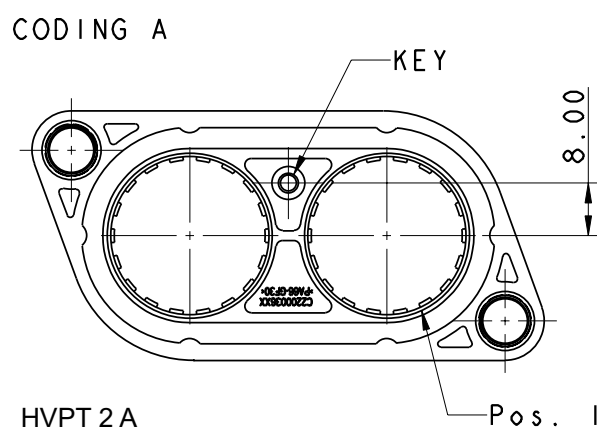
2 POSITION PASS-THROUGH



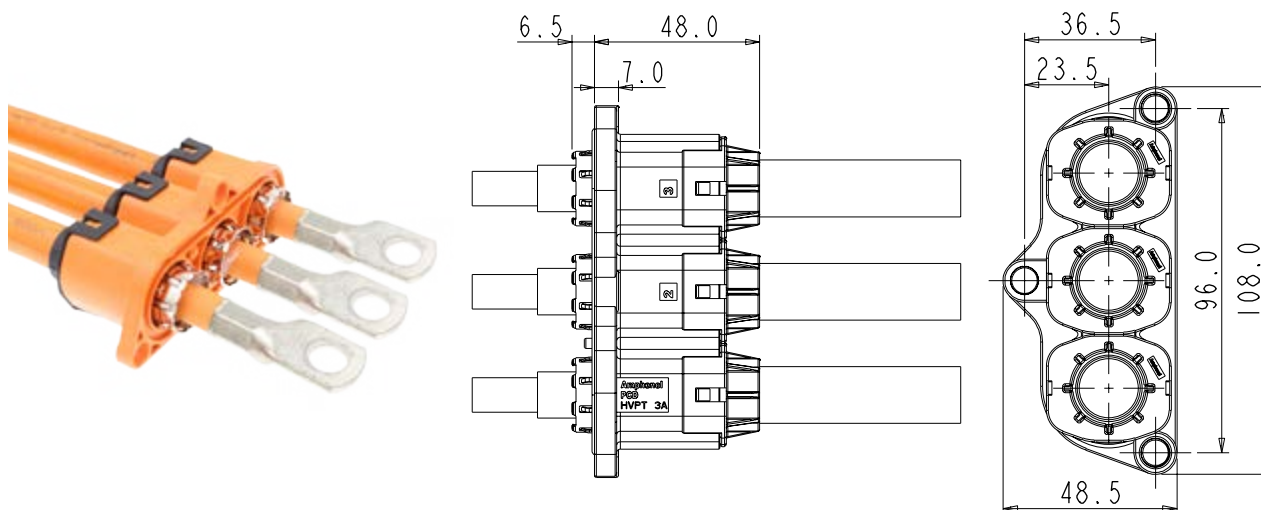
CONTACTS

Part number	Conductor cross section (mm ²)	Cable OD
HVPT 2 X 70	70	19.0±0.3
HVPT 2 X 50	50	16.5±0.3
HVPT 2 X 35	35	14.2±0.3
HVPT 2 X 25	25	11.9±0.3

INSERT ORIENTATIONS



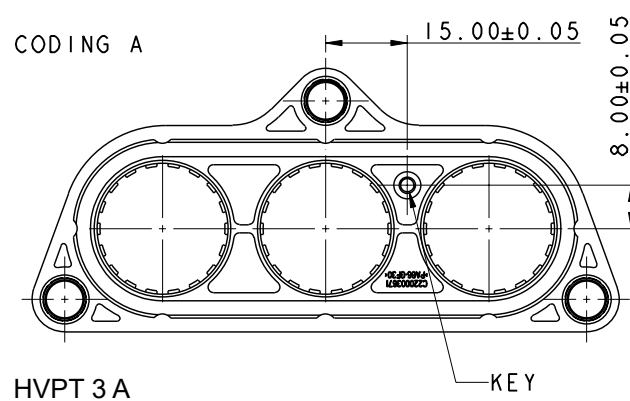
3 POSITION PASS-THROUGH



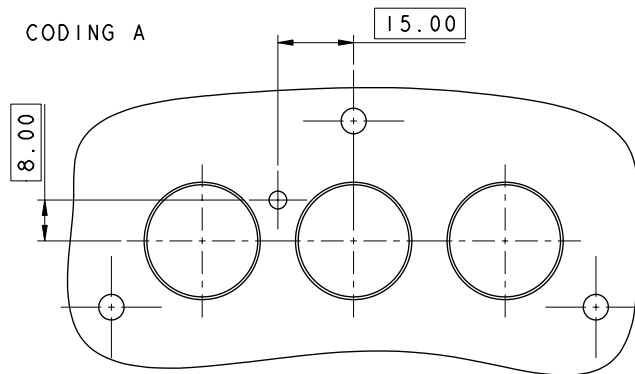
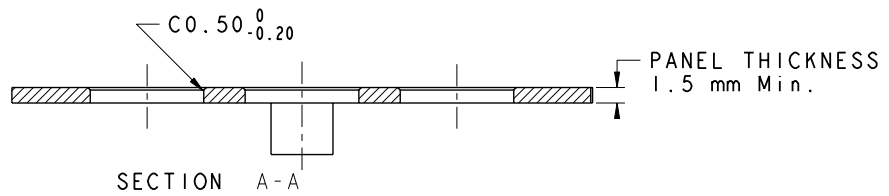
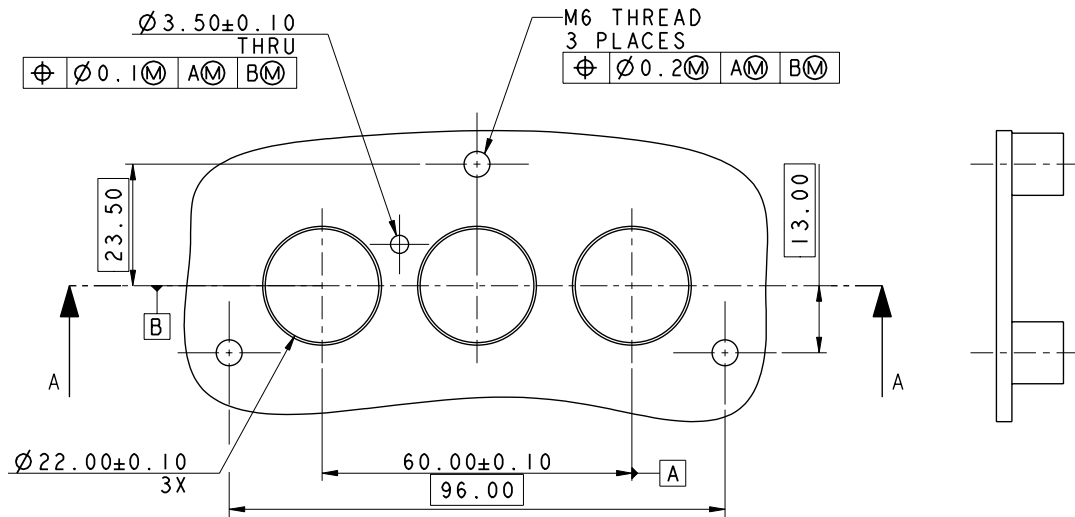
CONTACTS

Part number	Conductor cross section (mm ²)	Cable OD
HVPT 3 X 70	70	19.0±0.3
HVPT 3 X 50	50	16.5±0.3
HVPT 3 X 35	35	14.2±0.3
HVPT 3 X 25	25	11.9±0.3

INSERT ORIENTATIONS



PANEL MOUNTING DIMENSIONS



HVPT B PASS-THROUGH

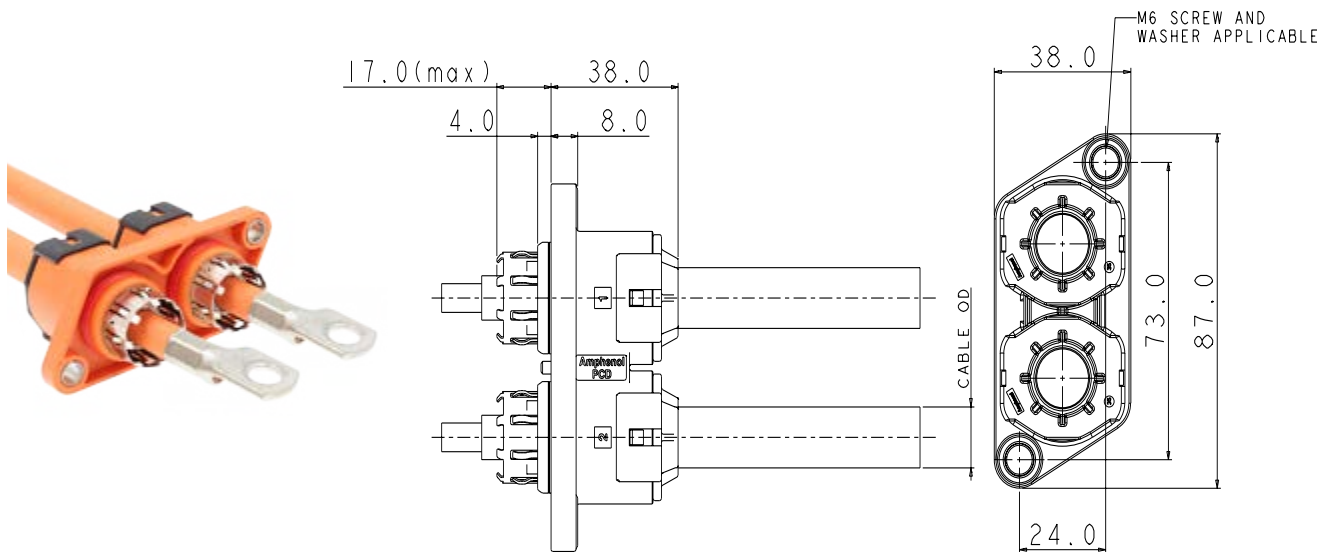


KEY FEATURES

- 2 & 3 positions available
- Light in weight with plastic shell
- Easy to install, reliable connection
- Sealing, IP67 & IP6K9K (mated)
- Multiple coding positions
- 360° shielded from wire to device
- Economical

MECHANICAL	
Wire range	25 to 70 mm ² shielded wires
Connection type	Crimping
ELECTRICAL	
Rated voltage	1000V DC
Dielectric withstand voltage	3000V AC
Shielding	360° from wire to device
ENVIRONMENTAL	
Sealing	IP67, IP6K9K
Temperature range	-40°C to 125°C
STANDARDS	
USCAR-2	
USCAR-37	
LV-215	
RoHS	
MATERIAL	
Housing	PA66 + GF

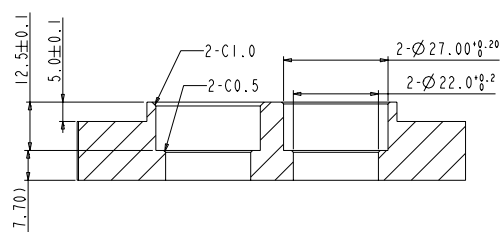
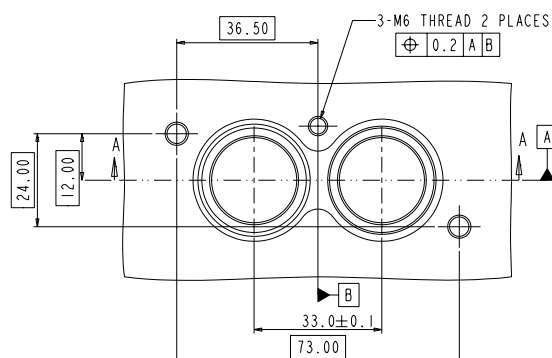
HVPTB 2 POSITION PASS-THROUGH



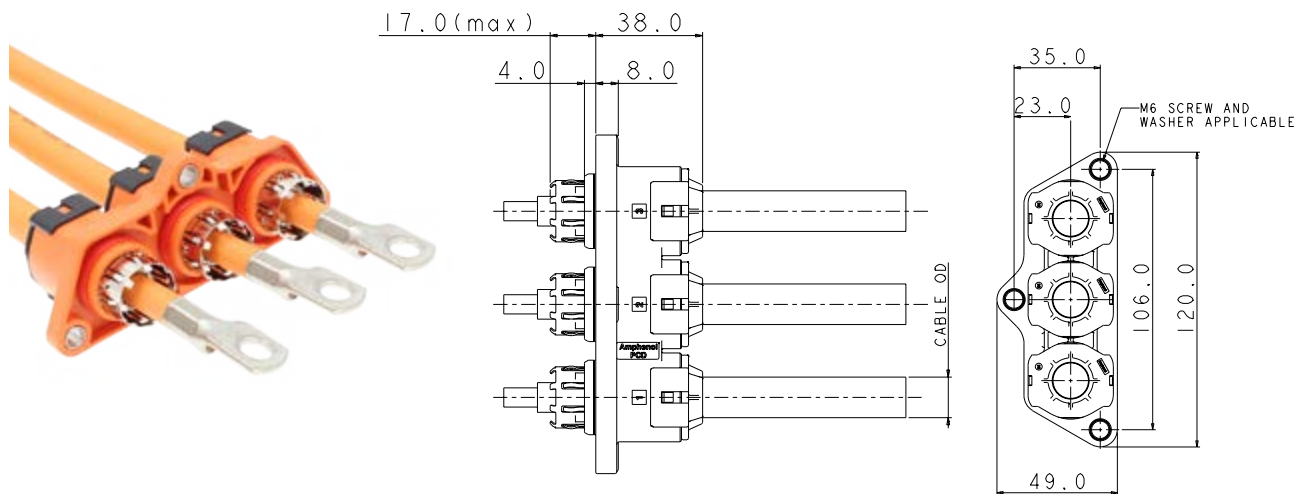
PART NUMBER

Part number	Conductor cross section (mm ²)	Cable OD
HVPTB 2 B 70	70	19.0±0.3
HVPTB 2 B 50	50	16.5±0.3
HVPTB 2 B 35	35	14.2±0.3
HVPTB 2 B 25	25	11.9±0.3

PANEL MOUNTING DIMENSIONS



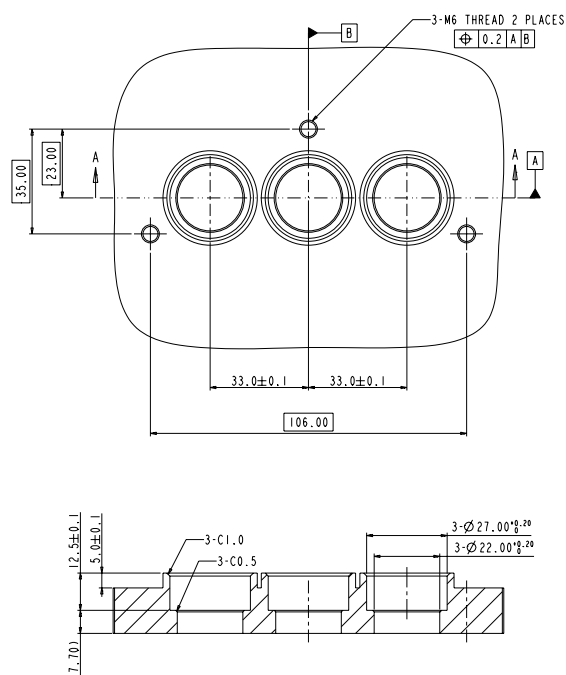
HVPTB 3 POSITION PASS-THROUGH



PART NUMBER

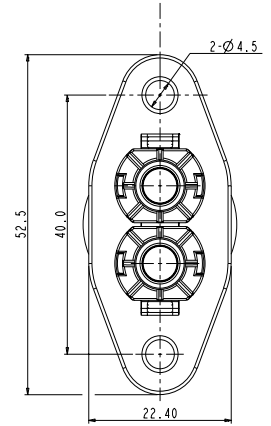
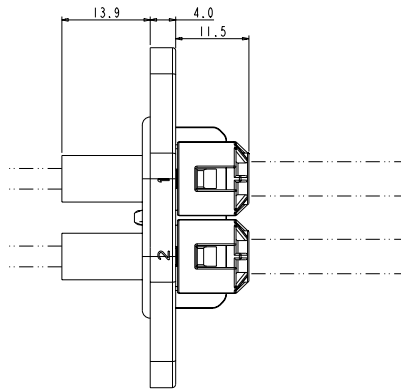
Part number	Conductor cross section (mm ²)	Cable OD
HVPTB 3 N 70	70	19.0±0.3
HVPTB 3 N 50	50	16.5±0.3
HVPTB 3 N 35	35	14.2±0.3
HVPTB 3 N 25	25	11.9±0.3

PANEL MOUNTING DIMENSIONS



Excel|Mate PT (HVPT B 2A)

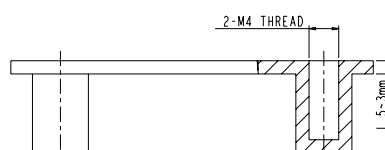
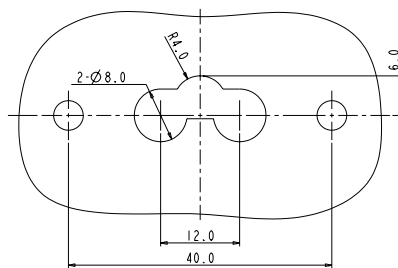
HVPTB 2A POSITION PASS-THROUGH



PART NUMBER

Part number	Conductor cross section (mm ²)	Cable OD (mm)
HVPTB 2 A 03	2.5 / 3.0	5.2 ± 0.2

PANEL MOUNTING DIMENSIONS



HVPC PASS-THROUGH



KEY FEATURES

Easy to install, reliable connection

Sealing, IP67 (mated), IP6K9K

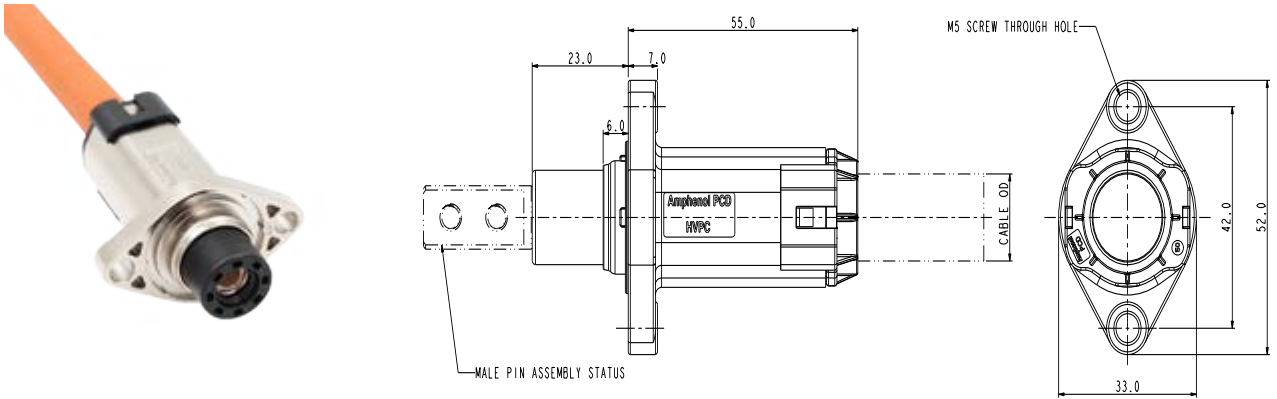
Multiple coding positions

360° shielded from wire to device

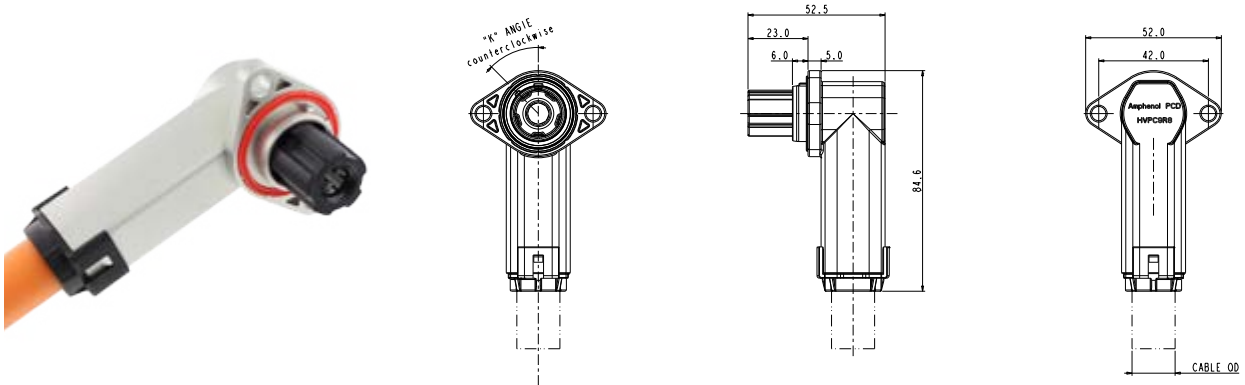
Economical

MECHANICAL	
Durability	≥ 50 mating cycles
Wire range	35 to 50 mm ² shielded wire
Insertion and extraction force	< 100N
Connection type	Crimp
ELECTRICAL	
Rated voltage	1000V DC
Rated current	Max 180A @ ambient temperature 70°C
Insulator resistance	> 100MΩ
Dielectric withstand voltage	3000V AC
Shielding	360° from wire to device
ENVIRONMENTAL	
Sealing	IP67, IP6K9K (mated)
Temperature range	-40°C to 125°C
Salt spray	96 hours
Touch-proof	IP2XB
STANDARDS	
USCAR-2	
USCAR-37	
LV-215	
RoHS	
MATERIAL	
Housing	Metal

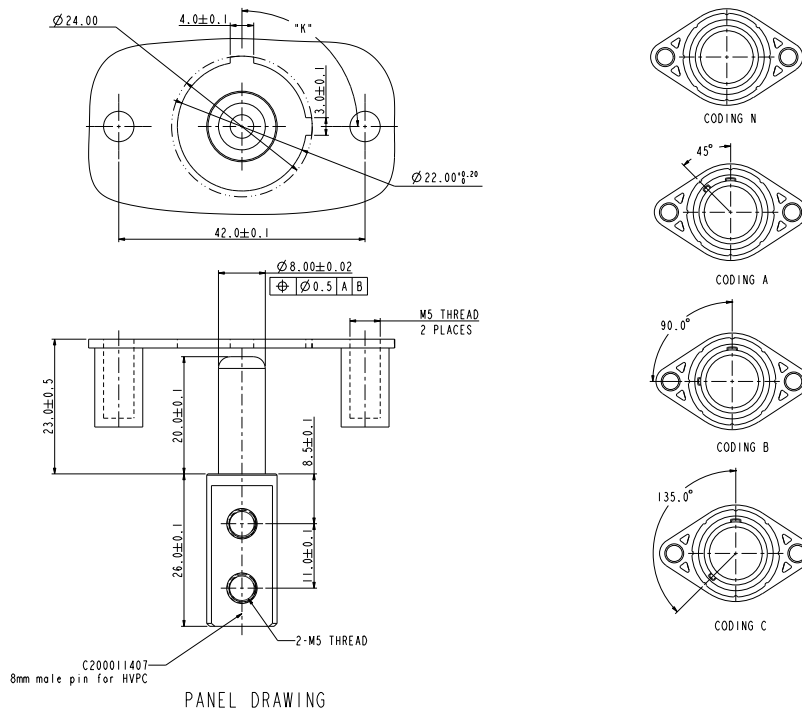
HVPC 1 POSITION PASS-THROUGH



HVPC 1 POSITION RIGHT-ANGLE



PANEL MOUNTING DIMENSIONS



HOW TO ORDER

	HVPC	7	R8	1	A	35
Product type:						
7: Straight						
9: Right angle						
Insert size:						
R8: 8mm pin contact						
Position:						
1: 1 position						
Coding:						
A: Coding A						
B: Coding B						
C: Coding C						
D: Coding D (Right-Angle only)						
E: Coding E (Right-Angle only)						
N: Coding N (Straight only)						
Wire type:						
35: 35mm ² shielded wire						
50: 50mm ² shielded wire						

Excel|Mate PT (HVPC 800)

HVPC 800



KEY FEATURES

Easy to install, reliable connection

Sealing, IP67 (mated), IP6K9K

Multiple coding positions

360° shielded from wire to device

Economical

MECHANICAL

Durability	≥ 50 mating cycles
Wire range	35 to 50 mm ² shielded wire
Insertion and extraction force	< 100N
Connection type	Crimp
HVIL	Integrated

ELECTRICAL

Rated voltage	1000V DC
Rated current	Max 180A @ ambient temperature 70°C
Insulator resistance	> 100MΩ
Dielectric withstand voltage	3000V AC
Shielding	360° from wire to device

ENVIRONMENTAL

Sealing	IP67, IP6K9K (mated)
Temperature range	-40°C to 125°C
Salt spray	96 hours

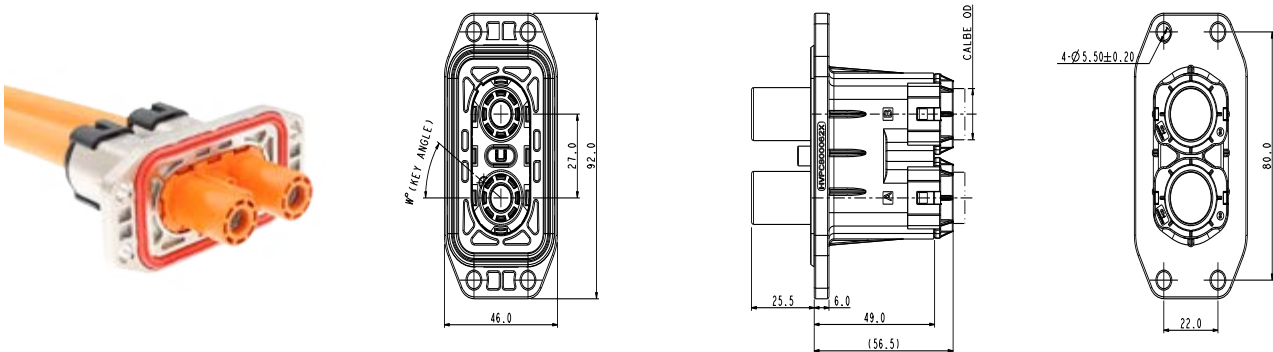
STANDARDS

USCAR-2	
USCAR-37	
LV-215	
RoHS	

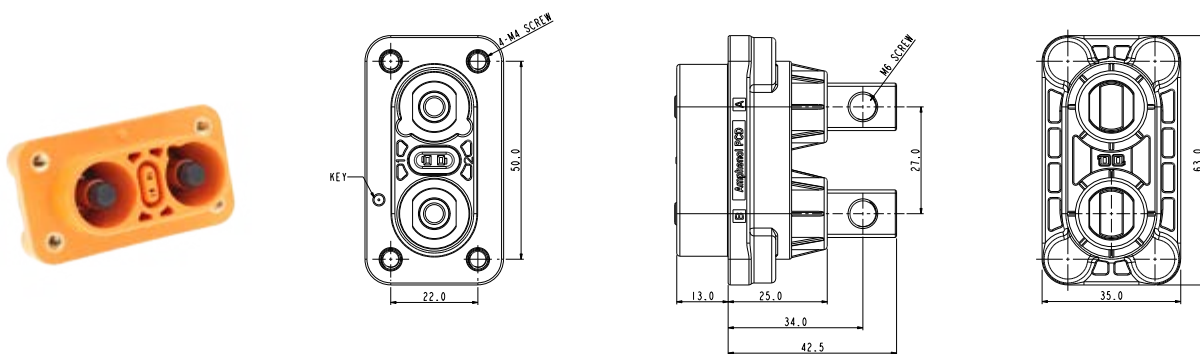
MATERIAL

Housing	Metal
---------	-------

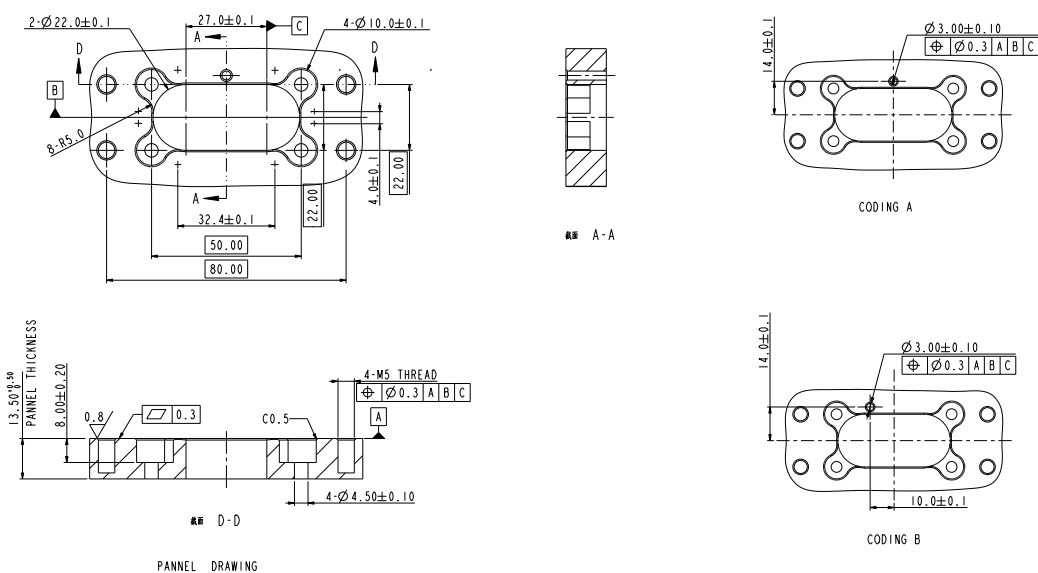
HVPC 800 PLUG



HVPC 800 RECEPTACLE



PANEL MOUNTING DIMENSION



HOW TO ORDER (HVPC 800)

HOW TO ORDER: PLUG

	HVPC 800	06	2	A	1	35
Product type:						
06: Plug						
Position:						
2: 2 positions						
Coding:						
A: Coding A						
B: Coding B						
HVIL:						
0: Without HVIL						
1: With HVIL						
Wire type:						
35: 35mm ² shielded wire						
50: 50mm ² shielded wire						

HOW TO ORDER: RECEPTACLE

	HVPC 800	02	2	A	1	H6
Product type:						
02: Receptacle						
Position:						
2: 2 positions						
Coding:						
A: Coding A						
B: Coding B						
HVIL:						
0: Without HVIL						
1: With HVIL						
Wire type:						
H6: M6 OT terminal						

Amphenol PCD Shenzhen

Building 21
1st Liao Keng Industrial Zone
Shi Yan Street, Bao An District Shenzhen 518108
China

Tel.: +86 755-8173-8000
Fax: +86 755-8173-8180
Email: inquiry@amphenolpcd.com.cn

www.amphenolpcd.com.cn

Notes:

Amphenol PCD Shenzhen has made every effort to ensure that the information contained in this catalog is accurate at the time of publication. Specifications or information stated in this publication are subject to change without notice.

Amphenol PCD Shenzhen reserves the right to clarify this catalog.

Print version: 201905